

TECHNICAL DATA SHEET

The X195 and X197 are suitable for security, process control & general industrial signalling applications.

These beacons are of the Flashing mode type (single stage alarm) Xenon beacons (sometimes called strobes) are controlled via a PCB and put out a very brief but bright flash of white light by ionizing and then discharging a large current through the xenon gas. The design allows for termination inside the enclosure.

The X197 high power version only allows for internal connection via the M20 rear knockout. The unit has provision for a Synchronous Mode of operation. This requires a third wire connection & a remote synchronising module (not supplied).

Code No:	Voltage:	Light Source:	Current:	Rating:
X195-02WH-SB-	15-28v Ac/Dc ~	Xenon 5.0 J	310mA	Continuous
X195-02WH-	15-28v Ac/Dc ~	Xenon 5.0 J	310mA	
X195-05WH-SB-	180-240v Ac ~	Xenon 5.0 J	110mA	
X195-05WH-	180-240v Ac ~	Xenon 5.0 J	110mA	
X197-02WH	24v Dc ---	Xenon 10.0 J	650mA	'ON' 2 hours in any 6

For Lens colours add: 01 Amber, 02 Red, 03 Blue, 04 Green and 05 Clear

Key Features Include:

- Terminal block accepts up to 2.5mm cable incorporating rising clamp protectors (1.5mm² X197)
- Suitable for conduit box or wall mounting
- 120° prime light output above the vertical axis
- Ingress Protection: Weatherproof to IP65
- Flash Rate: X195 - 60 Flashes / minute Nominal
- Flash Rate: X197 - 55 Flashes / minute Nominal
- Operating Temperature Range: -25 + 55°C
- Enclosure Materials: UV Stable Polycarbonate Lens
UV Stable ABS Bases
- AC Supply: 50/60 Hz



INSTALLATION & TECHNICAL INFORMATION

PLEASE READ PRIOR TO INSTALLATION



X195 & X197
Deep Base Option



X195 Shallow Base Option

X195 & X197 Series - (Xenon/Strobe)

VISUAL SIGNALLING DEVICES

APPROVED AND
CONFORMITIES



INSTALLATION DATA SHEET

Carefully pull the lens from the back box.

Remove the appropriate fixing hole and conduit knockouts from the back box, noting:

X195 shallow base version: allows for 2 x 5mm side entry or 1 x M20 rear entry knockout.

X195 deep base version: allows for 2 x M20 side entry or 1 x M20 rear entry knockout.

X197 deep base version only: allows 1 x rear entry supplied fitted with weatherproof grommet for cable 5-7mm diameter.

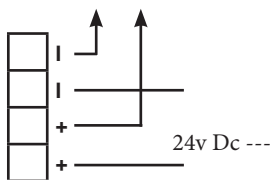
Using the appropriate sealing gasket and fit onto the required surface using 4mm fasteners (not supplied).

Pull sufficient power cable into the back box enclosure and terminate in the terminal block fitted onto the internal PCB. (See diagram below)

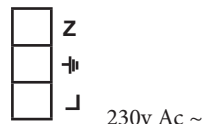
X197 Using the weatherproof sealing grommet (supplied). Having inserted power cable pull back approximately 10mm to form the correct seal.

Carefully replace the lens over the back box noting the following - X197 align lens PCB slots over back box bosses. All units ensure 'O' ring is in position on base, power cables do not foul PCB components and lens fixing screws (where supplied) are aligned with base fixing holes. Screw in to secure lens.

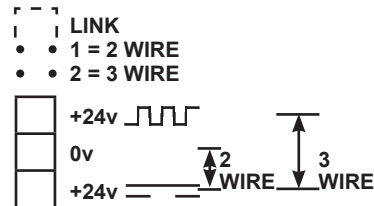
X195 Dc



X195 Ac



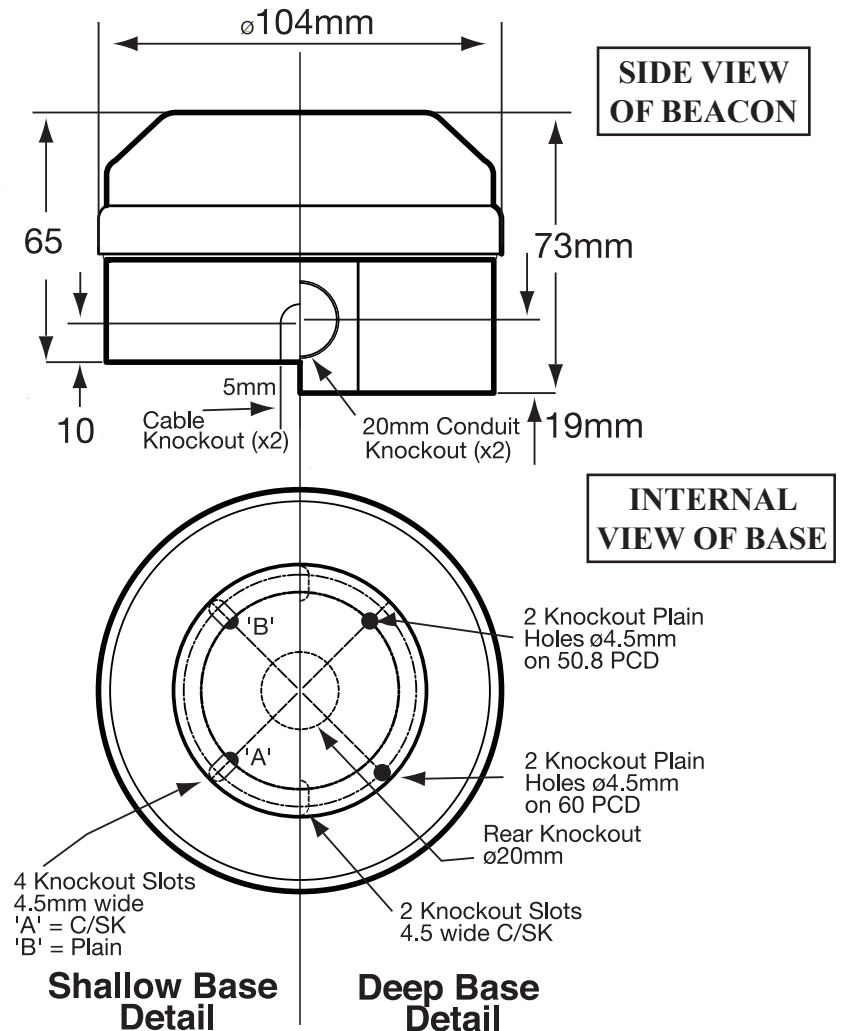
X197 Dc



General

- Installation must be carried out in accordance with the latest codes of practice and regulations by a qualified engineer.
- Ensure power source is disconnected prior to installation or maintenance to avoid danger of electrical shock.
- Do not handle internal electrical components whilst wiring up.
- Environmental exposure conditions during installation should be dry not moist or wet conditions should be avoided.
- The lens material of the beacon is VO rated UV stable polycarbonate plastic. Do not clean with petroleum based cleaners.
- Avoid mounting the beacon where it will be subject to excessive vibration.

VISUAL SIGNALLING DEVICE



Shallow Base Detail

Deep Base Detail