

MICO ELEC AUX CIRCUIT, 2 CHANNELS

IN: 24VDC OUT: 24V/1-2-3-4ADC

MICO 2.4

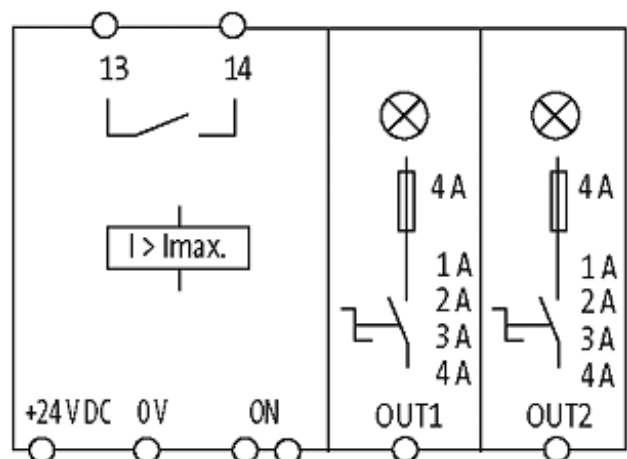
2 channels

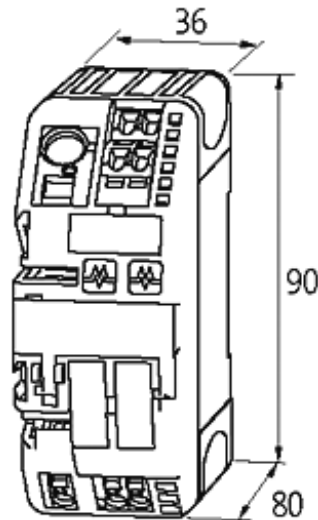
Current adjustment 1, 2, 3, 4 A

Fire protection (EN 60950-1) Operating voltage protection (EN 61131-2)

[Link to Product](#)

Illustration





Product may differ from Image

Approvals



Input

Operating voltage	24 V DC (18...30 V DC)
Input voltage (ON)	10...30 V DC
Impulse length (ON)	min. 20 ms
Group alarm output	potential free 30 V AC/DC, 100 mA

General data

Connection	Spring clamp terminals
Input terminals	1 × 16 mm ²
Output terminals	per output 1 × 4 mm ²
Alarm terminals	2.5 mm ²
Bridging concept	one side, with spring clamp terminals or bridge set (max. 40 A)
Mounting method	DIN-rail mountable TH35 (EN 60715)
Dimensions H × W × D	90×36×80 mm
Temperature range	0...+55 °C (storage temperature -40...+80 °C)

Output

Current adjustment	1 A, 2 A, 3 A, 4 A, by countersunk rotary switch, sealed
Inrush capacity	max. 20 mF (per channel)

Commercial data

country of origin	CZ
customs tariff number	85363010
EAN	4048879064828

The information in this brochure has been compiled with the utmost care.

Liability for the correctness completeness and topicality of the information is restricted to gross negligence. Version: 03/17

Murrelektronik Ltd. | Pendlebury Industrial Estate, Albion Street, Swinton | Manchester M27 4FG | Fon +44 161 72831-33 | Fax +44 161 72831-30 | shop@murrelektronik.co.uk | shop.murrelektronik.co.uk

eClass	27141901
minimum order quantity	1
