

Model Number

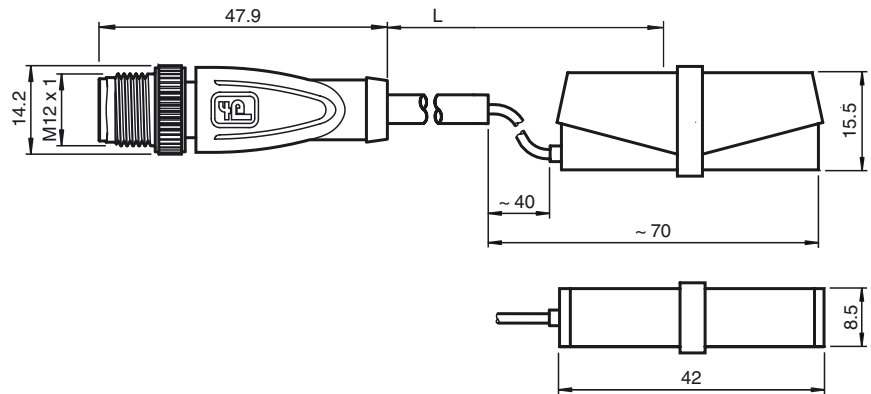
V15S-G-0,3M-PUR-WAGO

Male cordset, M12, 5-pin, PUR cable with WAGO terminals

Features

- Immunity to vibration, with mechanical latching
- Knurled nut suitable for tool assembly
- Gold-plated and machined contacts
- Halogen-free

Dimensions



Technical data

General specifications

| | |
|---------------------|----------------|
| Number of pins | 5 |
| Connection 1 | Male connector |
| Construction type 1 | straight |
| Threading 1 | M12 |

Electrical specifications

| | | |
|-------------------|-------|----------------------------|
| Operating voltage | U_B | max. 60 V DC |
| Test voltage | | > 1500 V _{eff} AC |
| Operating current | | max. 4 A |
| Volume resistance | | < 5 mΩ |

Ambient conditions

| | |
|---------------------|---|
| Ambient temperature | -40 ... 90 °C (-40 ... 194 °F) cable, fixed: -40 ... 80 °C (-40 ... 176 °F) cable, flexing: -20 ... 80 °C (-4 ... 176 °F) |
| Pollution Degree | 3 |

Mechanical specifications

| | |
|------------------------|-------------------------------|
| Pin diameter | 1 mm |
| Protection degree | IP20 |
| Connection | WAGO terminal |
| Material | |
| Contacts | CuSn / Au |
| Contact surface | Au |
| Body | TPU, green |
| Cable | PUR |
| Sleeve connector | Diecast zinc |
| Core insulation | PP |
| Cable | |
| Sheath diameter | Ø4.8 mm |
| Bending radius | > 10 x cable diameter, moving |
| Color | grey |
| Cores | 5 x 0.34 mm ² |
| Conductor construction | 19 x 0.15 mm Ø |
| Length | L 0.3 m |
| Flammability | |
| Contact material | 94 HB |
| Housing | 94 V-2 |

Electrical connection

