

LS-4 SERIES
CHART 3

M

ISSUE **17**
DRAWING

REVISIONS

12	R. M.	CN15449
13	05.02.97	MS12170
14	23.01.00	CO1389
15	M. BEUTIN 15.03.00	CO/1451
16	ASD 21FEB08	0037707
17	11OCT10	0070386

REPLACES METRIC LS SERIES CHART 3

RELEASE NUMBER MS-EN32-S

CHECK

TRACED

RASTER

DRAWN M. LOCH / R.M.
15.6.73/ 23.01.00

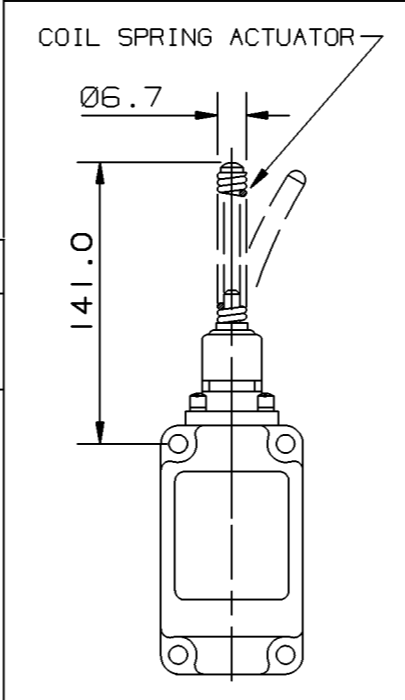
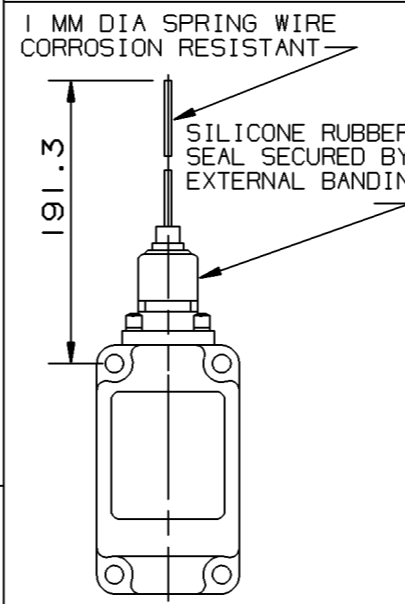
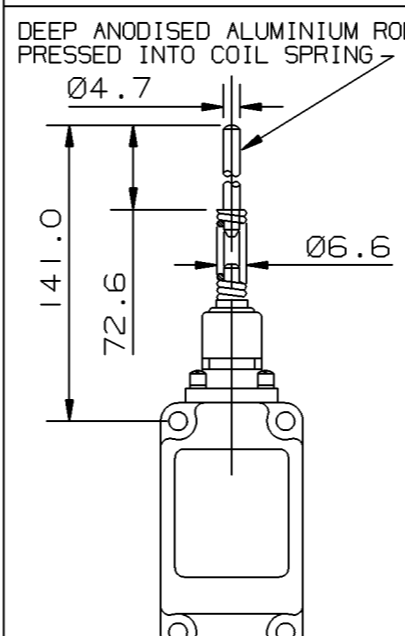
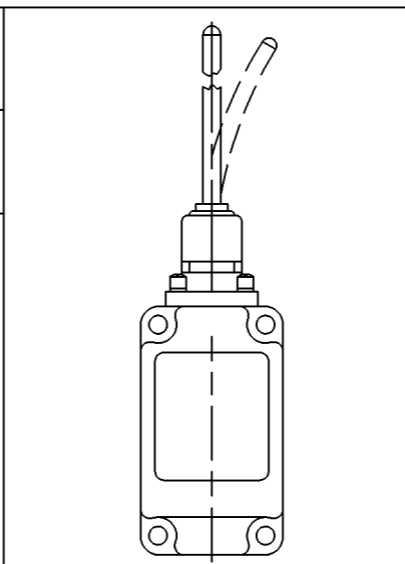
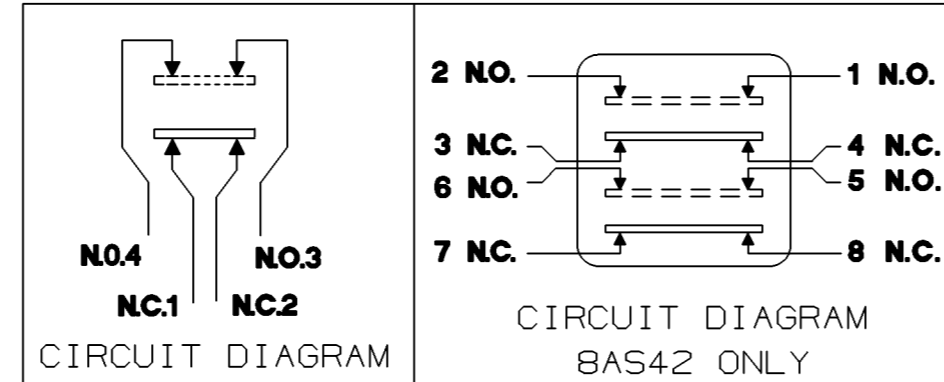
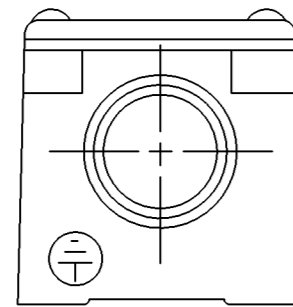
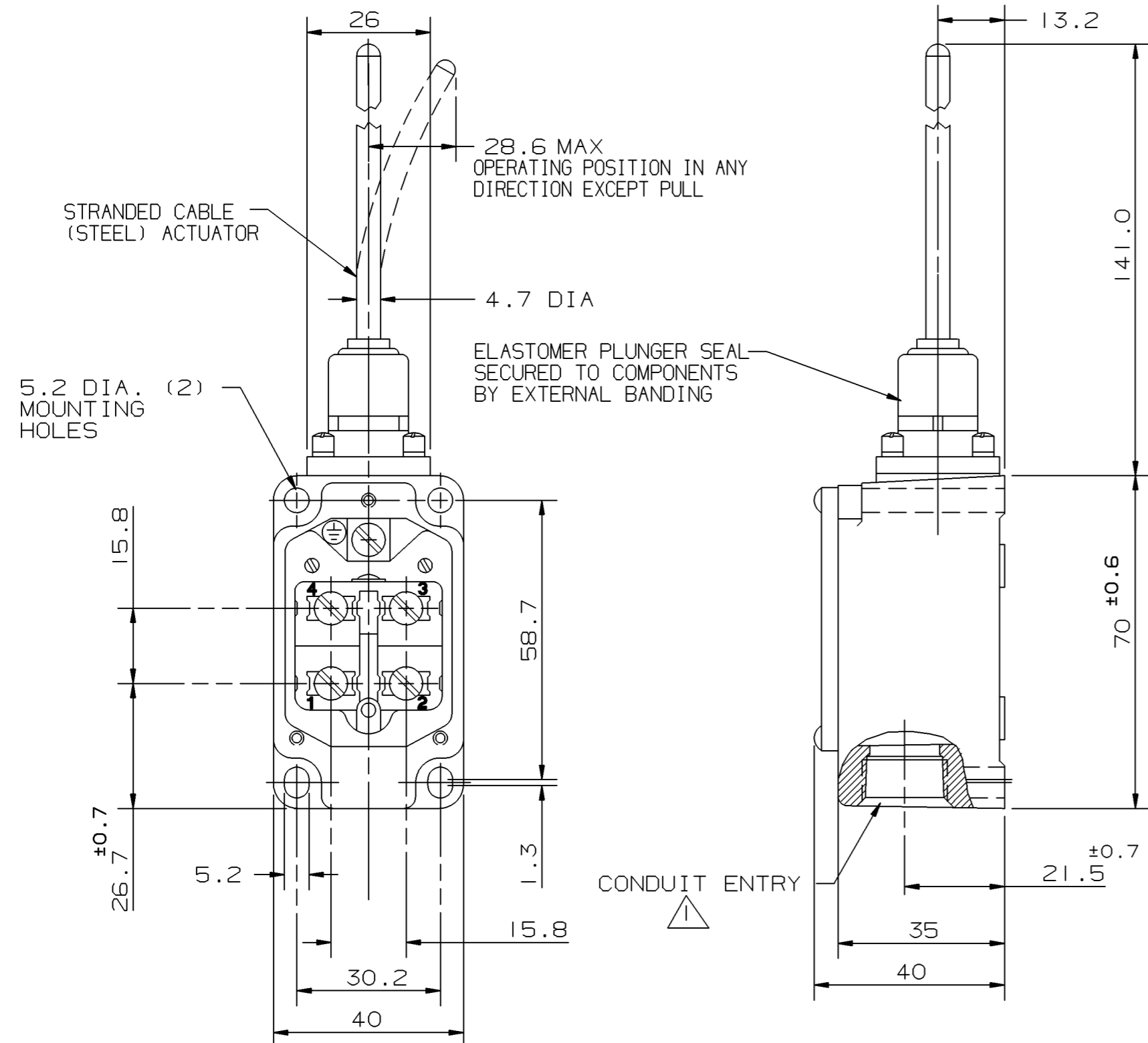
Honeywell

SWITCH ENCLOSED

CATALOGUE LISTING

LS-4 SERIES

CHART 3



REMARKS	CHARACTERISTICS					ELEC. RATING FIGURE NO.	RELEASE NO.	CH'D BY	ISS. NO.	CATALOGUE LISTING
	BASIC SWITCH	REL. TRAVEL	OPER. FORCE	OPER. POSN.	O.T. FORCE					
	2MN1-M		0.142 kgMAX	28.6 MAX		1	MS-EN-32-C	RM	5	8LS1-4C
SCREW - IN HEAD O.P. SET WITH 2mm GAP GAUGE SILICONE RUBBER SEAL	2MN1-M		0.142 kgMAX	28.6 MAX		1	MS-10419	JMC	3	8LS1-4PGN138
SCREW - IN HEAD HIGH TEMPERATURE CONSTRUCTION	2MN1-M		0.142 kgMAX	28.6 MAX		1	MS-10470	JMC	4	8LS1-4PGN139
GOLD PLATED BASIC (CONTACTS)	2MN24-N3		0.142 kgMAX	28.6 MAX		3	MS-12170	ML	1	8LS1-4PGN156
	2MN1-M		0.142 kgMAX	28.6 MAX		1	MS-EN-32-C	RM	5	8LS3-4C
	2MN11-M		0.028 kgMAX	63.5 MAX		1	MS-EN-32-C	RM	7	8LS125-4C
	8AS54-2B		0.142 kgMAX	28.6 MAX		2	MS-EN-32-C	RM	4	18S125-4C
SCREW - IN HEAD O.P. SET WITH 2mm GAP GAUGE UNDER HEAD + EXTERNAL EARTH SCREW	2MN11-M		0.028 kgMAX	63.5 MAX		1	MS-20095		5	8LS125-4PGN29
GOLD CONTACTS	2MN312		0.028 kgMAX	63.5 MAX		3	-	-	A	8LS201
	2MN1-M		0.142 kgMAX	28.6 MAX		1	MS-EN-32-C	RM	5	8LS152-4C
	8AS54-2B		0.142 kgMAX	28.6 MAX		2	MS-EN-32-C	RM	4	18LS152-4C
HIGH TEMPERATURE VERSION +150 C	2MN24-M		0.142 kgMAX	28.6 MAX		1	CO/1451	MB	5	8LS152-4PGN20

NOTES :-

△ A CHOICE OF THREE CONDUIT THREADS IS AVAILABLE. LISTINGS WITH '4C' SUFFIX HAVE 20mm TO BS4568 CONDUITS (SEE CHART OPPOSITE) FOR PG11 CONDUIT SUFFIX THE LISTING 4PG11 (E.G. 8LS1-4PG11) FOR PG 13.5 CONDUIT SUFFIX LISTING 4PG (E.G. 8LS1-4PG)

2. ALUMINIUM HOUSING AND COVER FINISHED WITH GREY PAINT

3. IT IS ESSENTIAL TO PREVENT ENTRANCE OF HARMFUL AGENTS THROUGH THE CONDUIT OPENING TO OBTAIN THE FULL BENEFIT OF THE SEALED CONSTRUCTION PROVIDED IN THIS UNIT.

CHARACTERISTICS	ELECTRICAL DATA		SCALE 0:8
OPERATING FORCE	CONTACT ARRANGEMENT SEE CIRCUIT DIAGRAM	BREAK DISTANCE	DIMENSIONS ARE IN MM
DIFFERENTIAL FORCE	FIG NO.1 10A-120, 240 OR 480VAC; 1/3HP-120VAC; 3/4HP-240VAC; 0.8A-115VDC; 0.4A-230VDC 0.1A-550VDC	/	TOLERANCES UNLESS OTHERWISE STATED
RELEASE FORCE			
PRETRAVEL	PILOT DUTY RATING 600VAC MAX.	FIG NO.2 10A - 125 OR 250VAC 1/2 HP - 125VAC	±0.2
OVERTRAVEL			
DIFFERENTIAL TRAVEL	24VDC - 0.025A	FIG NO.3	ANGULAR
FREE POSITION			
SEE CHART	THIRD ANGLE PROJECTION		

THE COPYRIGHT OF THIS DRAWING IS THE PROPERTY OF HONEYWELL LTD. THE DRAWING IS SUPPLIED IN CONFIDENCE AND MUST NOT BE USED FOR ANY PURPOSE OTHER THAN THAT FOR WHICH IT IS SUPPLIED