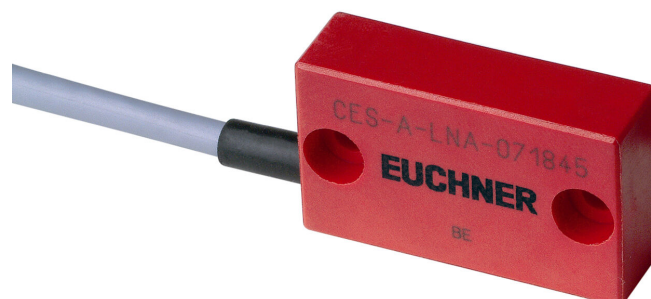


CES-A-LNA-10V (ORDER NO. 071846)

Read head CES-A-LNA..., hard-wired encapsulated cable 10 m, PVC

- ▶ Cube-shaped design 42 x 25 mm
- ▶ Hard-wired encapsulated cable made of PVC
- ▶ Cable length 10 m
- ▶ Two safety screws M4x14 included



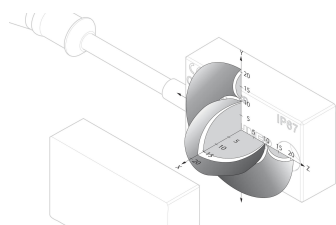
Description

Housing material

Fortron, reinforced thermoplastic, fully encapsulated.

Attention: The actuating range may vary depending on the substrate material and installation situation.

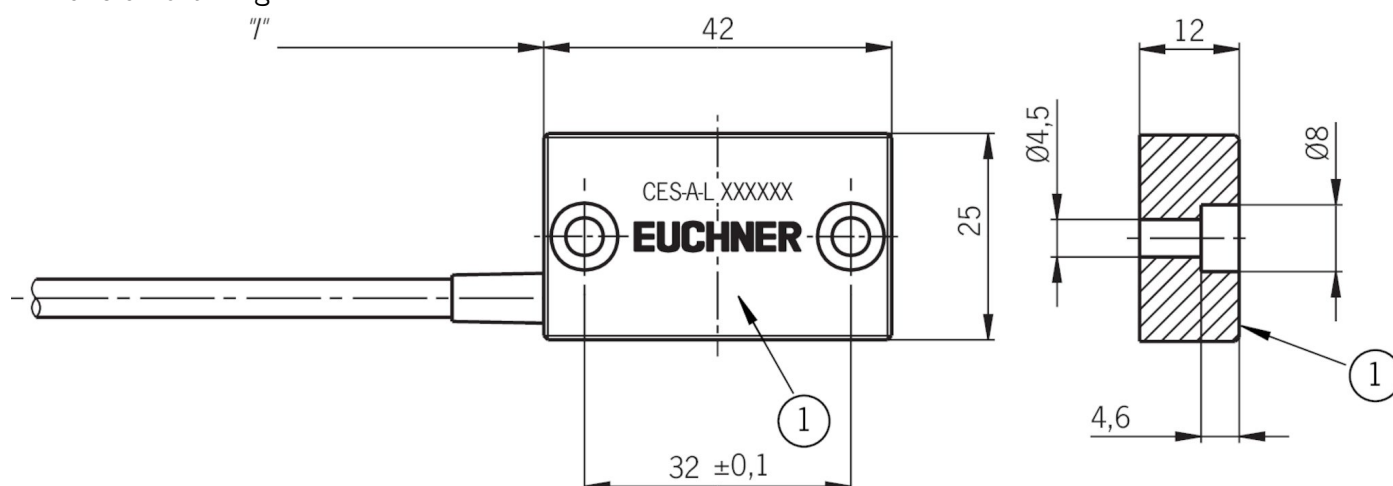
Important: Actuators must be ordered separately!



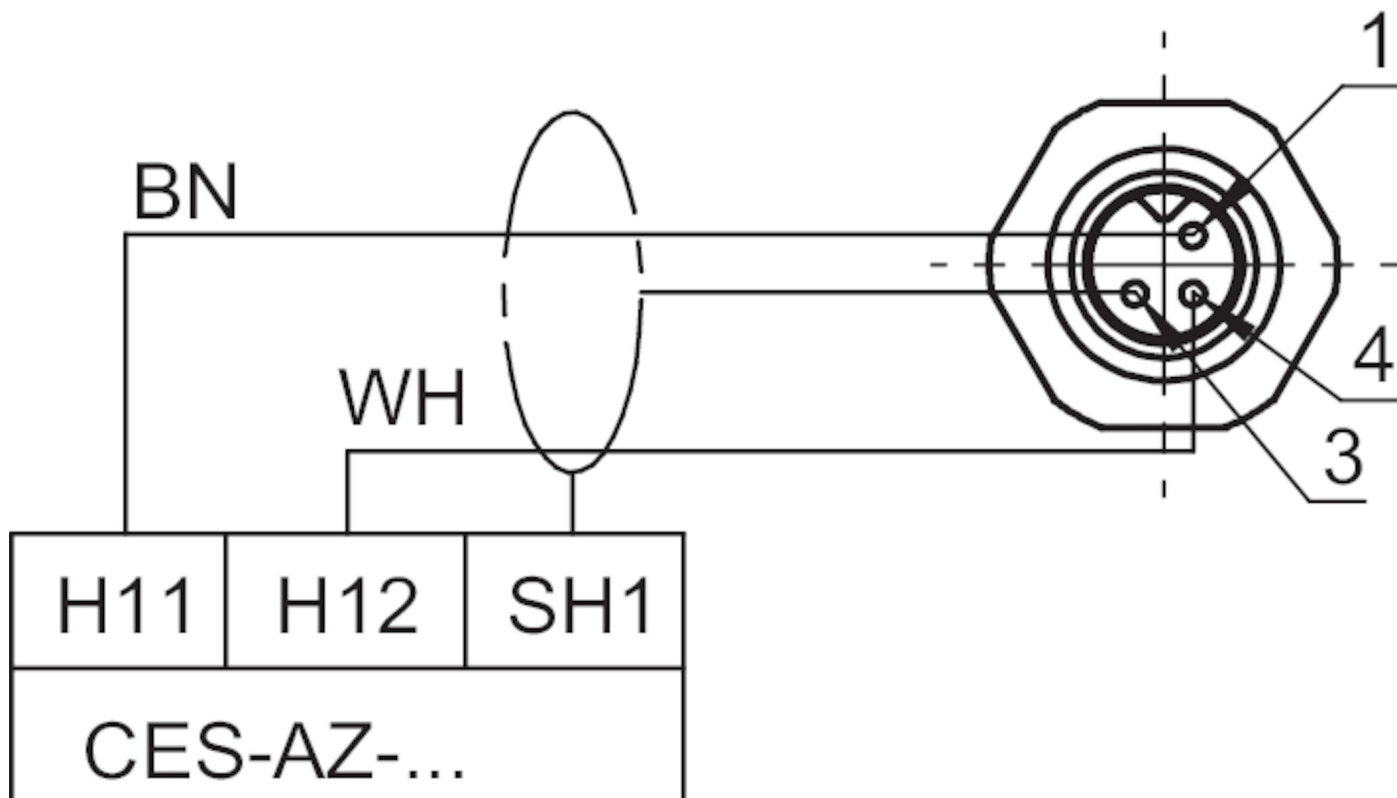
Typical actuating range

For a side approach direction for the actuator and read head, a minimum distance of $s = 3$ mm must be maintained so that the actuating range of the side lobes is not entered.

Dimension drawing



Wiring diagram



Technical data

Approvals



Mechanical values and environment

Cable ambient temperature (dynamic) -5 ... 70 °C

Cable ambient temperature (static) -25 ... 70 °C

Housing material

Housing Reinforced thermoplastic (PPS), fully encapsulated

Weight

Net 0,3 kg
(Incl 10m cable)

Degree of protection IP67/IP69K

Installation orientation Any

Tightening torque

Fixing screws max.1 Nm

Connection Hard-wired encapsulated connection cable

Cable length

Maximum allowed max.25 m

Method of operation Inductive

Electrical connection ratings

Power supply Via evaluation unit

Connecting cable PVC, length 10m, Ø 4.6 mm, with crimped ferrules

Accessories

Actuator

Actuator CES-A-BBA



071840
CES-A-BBA

- ▶ Cube-shaped design 42 x 25 mm
- ▶ Two safety screws M4x14 included

Actuator CES-A-BCA



088786
CES-A-BCA

- ▶ Cube-shaped design 42 x 25 mm
- ▶ Two safety screws M4x14 included
- ▶ PE-HD housing material, suitable for use in aggressive media (e.g. acids, alkalis)

Actuator CES-A-BDA



084720
CES-A-BDA-20

- ▶ For safety switch CES-A-.5...
 - ▶ For CES-AZ safety systems in combination with the read heads CES-A-LNA and CES-A-LMN
 - ▶ Round design \varnothing 20 mm
 - ▶ For use in applications in very confined spaces
-



156935
CES-A-BDA-18-156935

- ▶ Flush mounting is permissible only in plastic
- ▶ For safety switch CES-C01
- ▶ For CES-AZ safety systems in combination with the read heads CES-A-LNA and CES-A-LMN
- ▶ Round design \varnothing 18 mm
- ▶ For use in applications in very confined spaces
- ▶ Mounting on metal or plastic is permissible
- ▶ Flush mounting is permissible only in plastic

Bolt

Bolt CES-A-A



076487
RIEGEL CES-A-A

- ▶ Steel bolt
- ▶ In combination with read head CES-A-LNA...
- ▶ For doors hinged on the left or right
- ▶ Ball detent mechanism in closed position
- ▶ Can be locked in open position with padlocks
- ▶ Actuator included

Bolt CES-A-A/F with escape release



086173
RIEGEL CES-A-A/F

- ▶ Steel bolt
- ▶ In combination with read head CES-A-LNA...
- ▶ For doors hinged on the right or left
- ▶ Lever for escape release from the danger zone
- ▶ Detent knob in open position
- ▶ Ball detent mechanism in closed position
- ▶ Can be locked in open position with padlocks
- ▶ Actuator included

Mounting accessories

Safety screws M4 x 14

071863
M4X14-CES/V20

- ▶ Safety screws M4 x 14
- ▶ Packaging unit 20 pieces

Contacts

🏠 EUCHNER GmbH + Co. KG
Kohlhammerstraße 16
70771 Leinfelden-Echterdingen

☎ +49 711 7597-0

📠 +49 711 753316

✉ info(at)euchner.de