



7932 | 6 digit supertwist LCD programmable preset counter with prescaler and EEPROM data storage in an IP65 DIN case

7932

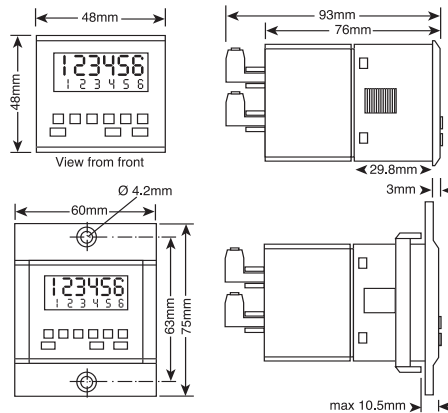
This versatile count up or count down predetermining counter with prescaler has a wide range of innovative and attractive features. Designed with imagination and built to the highest standards it offers both counting and timing functions in one unit.

Features

- Simple programming via menu driven display.
- High visibility supertwist LCD display can be viewed from any angle.
- Backlight programmable ON, OFF or AUTO.
- 40 years data retention with no power.
- Programmable decimal point up to 3 places.
- Operates from 85- 265VAC or 10- 26VDC
- 12VDC output to drive a sensor (when AC powered).
- Opto-isolated Low speed and External Reset Inputs.
- Wide range of prescaling.
- Output relay contacts rated at 5A.
- Output can be set to latch or pulse with programmable pulse duration.
- Environmental protection to IP65.
- Standard DIN housing.
- CE, UL and cUL approved.

Product Dimensions

48mm x 48mm (1.89" x 1.89").
83mm (3.27") depth including rear connectors
Panel cutout 45mm x 45mm



The count inputs are opto-isolated and can be sink (NPN) or source (PNP). The count is on the main display and the preset value is on the subsidiary display. Reset can be remote, manual or automatic with a manual over-ride option.

All programming, reset and presetting can be carried out from the front panel although the keys can be remotely disabled from the rear of the unit.

Product Dimensions

- Production counting
- Cut to length control
- Batch control

Specifications

Supply Voltage

85 - 265VAC or 10 - 26VDC at 100mA

Auxiliary Output Supply

12VDC (+20% -0%) @ 75mA (when operating from AC supply)

Display

2 rows of 6 digits, supertwist black on silver LCD with yellow/green LED backlight. Upper row 7mm (0.28in) high indicates count, lower row 4mm (0.16in) high indicates P1 preset point. Also Relay Active annunciator

Backlight Control

Programmable to Always ON, Always OFF or AUTO (ON for 30s following last keypress)

Preset Points

User selectable preset point 1 - 999999

Count Inputs

High Speed NPN/PNP. 5 - 30VDC. Maximum input frequency 10kHz. Low Speed Opto-isolated 12 - 260VAC/DC. Maximum input frequency 30Hz

Prescaler

Multiply 0.00001 - 9.99999, default 1.00000
Divide 1 - 99999, default 00001

Manual Reset

Can be disabled on installation or remotely

Remote Reset

Contact closure or pulse (15 ms response time)

Automatic Reset

Programmable for automatic or Manual/Remote reset

Data Retention

40 years minimum

Output Relay

Contact Connection SPDT
Contact Rating 5A 260 VAC 30 VDC 1300 VA/150 W.

Operating Temp.

-10°C to +60°C

Storage Temp.

-20°C to +70°C

Environmental Protection

IP65 when properly installed using the sealing gasket supplied (without bezel)

ORDER INFORMATION

Order by type number:

7932

