



SIRCO VM

Load break switches with visible breaking
from 63 to 250 A

Terminal distribution



The solution for

- > Distribution cabinet
- > Subscriber enclosures

Strong points

- > Reliability
- > Increased safety with visible breaking
- > Wide range

Compliance with standards

- > IEC 60947-3, EN 60947-3
- > VDE 0660-107 (1992)

Certifications.

- > GOST (Russia)
- > BBJ (Poland)
- > Lloyd's Register of Shipping
- > CEBC (Belgium)
- > LOVAG/ASEFA
- > KEMA
- > CCA
- > PSA E03.15.605.G
- > RENAULT EB03.15.613

Function

SIRCO VM are manually operated modular multipolar load break switches. They assure on-load making and breaking and provide safety isolation for any LV circuit.

Advantages

Reliability and performance

The double breaking per pole, achieved through its sliding bar contact system, is a proven design that offers very high durability and short-circuit withstand. The quick opening and rapid closure of the SIRCO's contacts, combined with specifically designed arcing chambers, provides the SIRCO AC with improved breaking performance.

Improved safety

Thanks to the double visible breaking, the operator can visually check the status of the device during preventive checks before working on the installation.

Extensive range

The SIRCO VM range is very extensive; from 63 A to 250 A, 3 and 4 poles, with many accessories.

General characteristics

- Positive break indication
- Visible double break per phase
- DIN-rail mounting, panel or modular panel with 45 mm front cut out
- Device and IP20 accessories.
- Severe load duty categories (AC-22 and AC-23).

Reinforced protection in connection enclosures

SIRCO VM units with visible breaking are particularly suitable for connection enclosures. They allow the operator to safely isolate the top network system from the reserved bottom system. The visible breaking enables additional visual checks before intervening.

200 A Enclosure: SIRCO VM2 200 A 4-pole, ref. **25TJ4020**.



References

Front operation⁽¹⁾

Switch body ⁽²⁾	N° of poles ⁽³⁾	Switch body for front operation	Direct operation handle	External operation handle	Shaft for external operation	Auxiliary contact	Terminal shrouds ⁽⁵⁾	Cage terminals with cover						
VM1 63 A	3 P	2500 3006	Black 2599 5012 ⁽²⁾	Type S1 Black IP65 1411 2111 ⁽²⁾	200 mm 1402 0820 ⁽²⁾	1 st contact NO/ NC Type A 2599 0001 ⁽⁴⁾	built-in	built-in						
	4 P	2500 4006												
VM1 80 A	3 P	2500 3008												
	4 P	2500 4008												
VM1 100 A	3 P	2500 3010												
	4 P	2500 4010												
VM1 125 A	3 P	2500 3011												
	4 P	2500 4011												
VM2 160 A	3 P	2500 3016							Black 2599 5022 ⁽²⁾	Red/Yellow IP65 1414 2111	320 mm 1402 0832		2594 4020	3 P 2593 3020
	4 P	2500 4016												
VM2 200 A	3 P	2500 3020												
	4 P	2500 4020												
VM2 250 A	3 P	2500 3025												
	4 P	2500 4025												
VM2 200 A	4 P	25TJ 4020	Included	-	-	-	Included	Included						

(1) Side operation: please ask us.

(2) Standard.

(3) 6 or 8-pole modules: please ask us.

(4) For 2 aux. contacts, order reference 2599 0001 twice.

(5) Top/bottom

Accessories

Direct operation handle

Rating (A)	Handle colour ⁽¹⁾	Reference
VM1 63 ... VM1 125	Black	2599 5012
VM2 160 ... VM2 250	Black	2599 5022

(1) Red handle: please ask us.



SIRCO VM1 and VM2 handle.

access_111_a_1_cat

External operation handle

Use

The door's interlocked external operation handle includes a padlockable handle and plate, and must be used with an extension shaft.

External front operation		
Rating (A)	Handle colour	Reference
63 ... 250	Black	1411 2111 ⁽¹⁾

(1) Standard.



SIRCO VM0 handle.

access_149_a_2_cat

SIRCO VM

Load break switches with visible breaking
from 63 to 250 A

Accessories (continued)

Shaft extension for external front operation

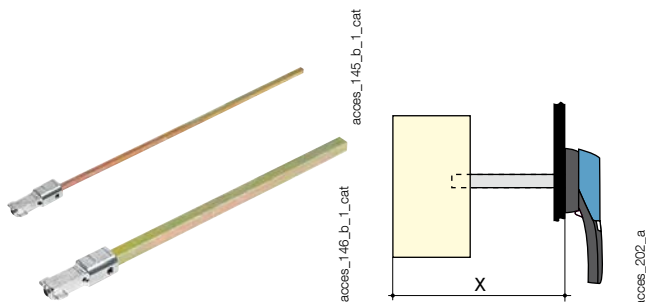
Use

Standard width for external operation:

- 200 mm.
- 320 mm.
- 400 mm.

Other widths available - please ask us.

Rating (A)	Side X (mm)	Real length (mm)	Reference
63 ... 250	96 ... 260	200	1402 0820
63 ... 250	96 ... 380	320	1402 0832



Top/bottom terminal shrouds

Use

Top or bottom protection against direct contact with terminals or connection parts.

Rating (A)	Position	Reference
160 ... 250	top/bottom	2594 4020



Cage terminals with cover

Use

Direct connection of cables without terminal lugs, as well as top and bottom protection against direct contact with terminals or connection parts.

Characteristics

- Size capacity from 10 to 95 mm² for rigid cables or 70 mm² for flexible cables.
- Top or bottom mounting terminations.

Rating (A)	N° of poles	Reference
160 ... 250	3 P	2593 3020
160 ... 250	4 P	2593 4020



Characteristics

Characteristics according to IEC 60947-3

Thermal current I_{th} (40 C)	VM1 63 A	VM1 80 A	VM1 100 A	VM1 125 A	VM2 160 A	VM2 200 A	VM2 250 A
Rated insulation voltage U_i (V)	800	800	800	800	800	800	800
Rated impulse withstand voltage U_{imp} (kV)	8	8	8	8	8	8	8
Rated operational currents I_e (A)							
Rated voltage	Operating category	A/B⁽¹⁾	A/B⁽¹⁾	A/B⁽¹⁾	A/B⁽¹⁾	A/B⁽¹⁾	A/B⁽¹⁾
400 VAC	AC-21 A / AC-21 B	63/63	80/80	100/100	125/125	160/160	200/200
400 VAC	AC-22 A / AC-22 B	63/63	80/80	100/100	125/125	160/160	200/200
400 VAC	AC-23 A / AC-23 B	63/63	63/63	63/63	63/63	160/160	200/200
Conditional rated short-circuit current with gG DIN fuse							
Prospective short-circuit (kA rms.) ⁽⁵⁾	100	100	100	50	50	50	50
Associated fuse rating (A) ⁽⁵⁾	63	80	100	125	160	160	160
Short-circuit capacity							
Rated short-time withstand current 1 s. I_{CW} (kA rms.)	2.5	2.5	2.5	2.5	4	4	4
Short-circuit making capacity (kA peak) ⁽⁵⁾	12	12	12	12	16	16	16
Connection							
Minimum Cu cable cross-section	4	4	4	4	10	10	10
Maximum Cu rigid cable cross-section (mm ²)	50	50	50	50	95	95	95
Tightening torque min (Nm)	6	6	6	6	9	9	9
Maximum Cu busbar width (mm)				-	20	20	20
Mechanical specifications							
Durability (number of operating cycles)	20,000	20,000	20,000	20,000	10,000	10,000	10,000
Weight of a 3-pole device (kg)	0.6/0.8	0.6/0.8	0.7/0.9	0.7/0.9	0.9/1.1	0.9/1.1	0.9
Weight of a 4-pole device (kg)	0.7/0.9	0.7/0.9	0.8/1	0.8/1	1/1.2	1/1.2	1

(1) Category with index A = frequent operation /
Category with index B = infrequent operation.
(2) With terminal shrouds.

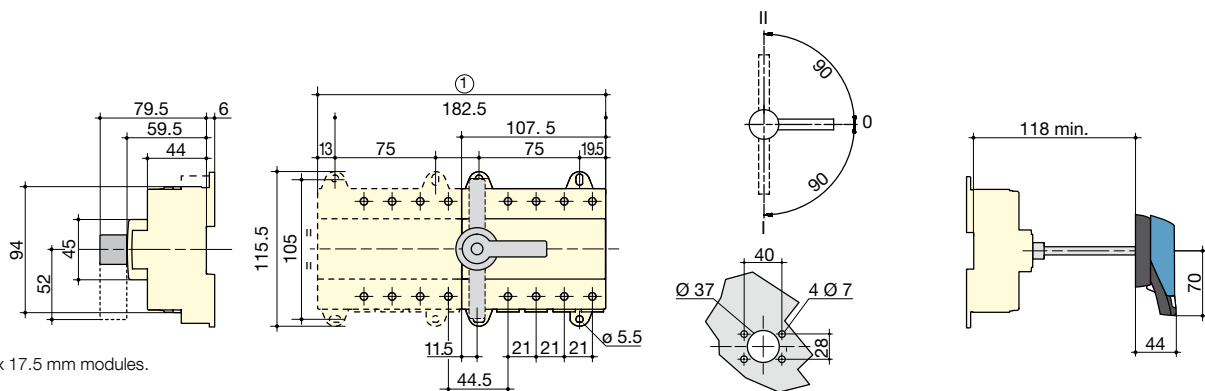
(3) 4-pole device with 2 poles in series per polarity.
(4) The power value is given for information only, the values vary from a manufacturer to another.
(5) For a rated operational voltage $U_e = 400$ VAC.

Dimensions

SIRCO VM1 from 63 to 80 A

Direct front operation - 3 and 4-pole

External front operation

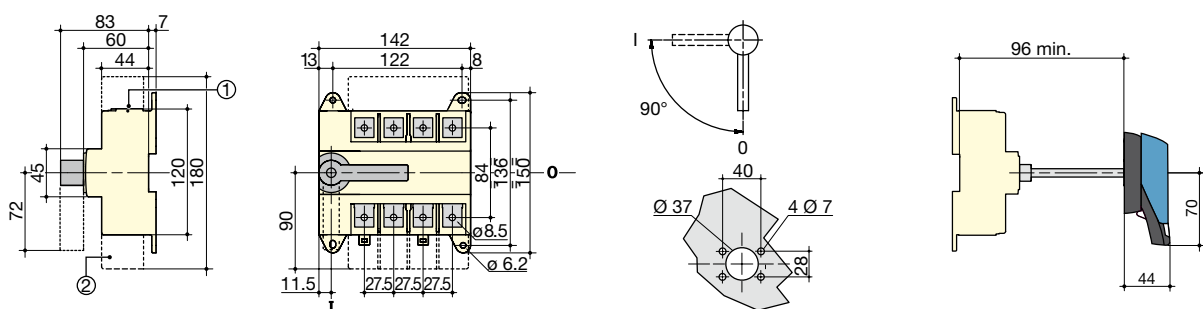


1. 12 x 17.5 mm modules.

SIRCO VM2 200 to 250 A

Direct front operation

External front operation



1. Terminal cage (accessories).

2. Terminal covers (accessories).