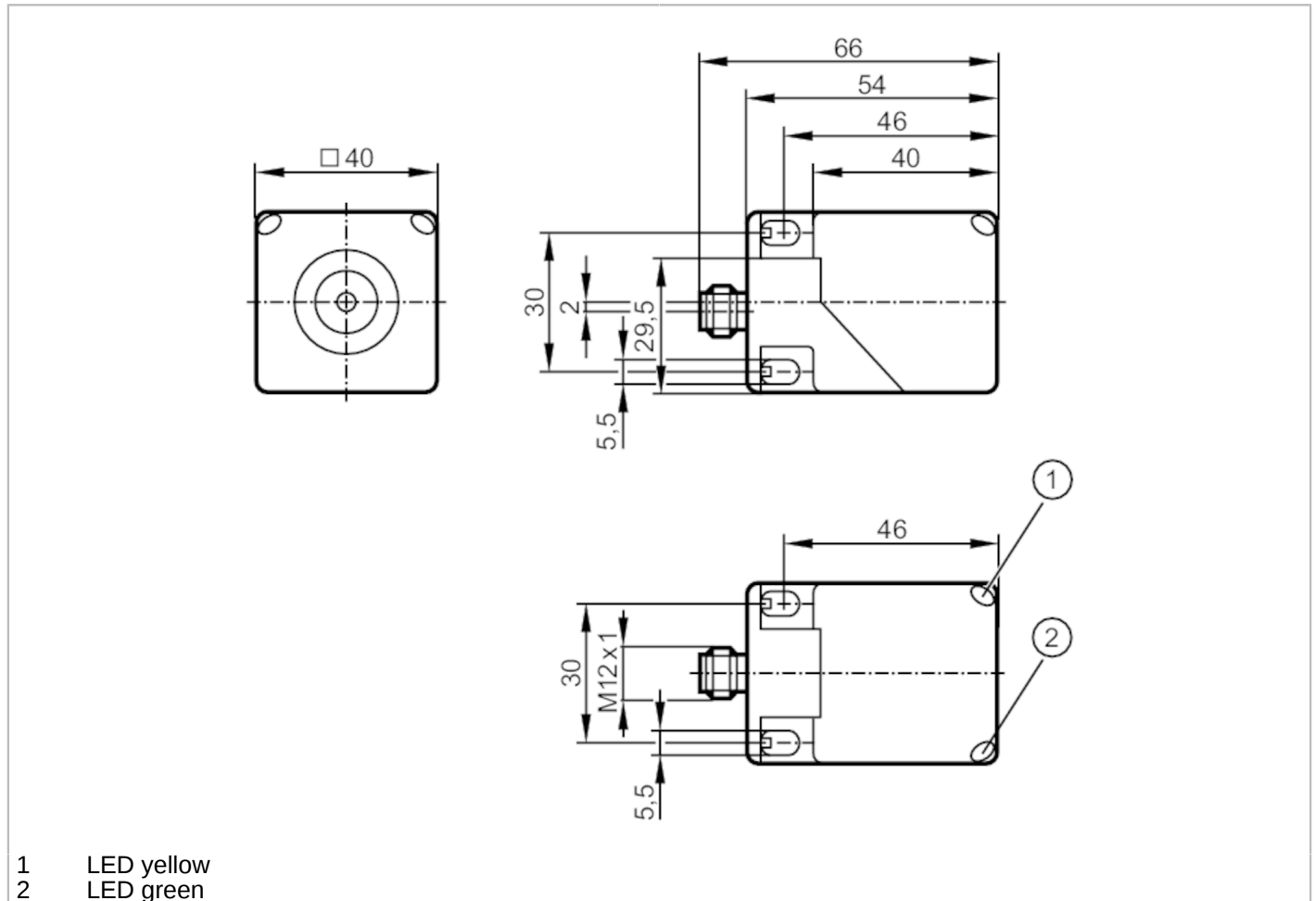


IM5128



Inductive sensor

IMC3020BBPKG/K1/US-100-DPS



- 1 LED yellow
- 2 LED green



Made in Germany


Application	
Magnetic-field immune	yes
Electrical data	
Operating voltage [V]	10...36 DC; ("supply class 2" to cULus)
Current consumption [mA]	< 20
Protection class	II
Reverse polarity protection	yes
Outputs	
Output function	normally open
Max. voltage drop switching output DC [V]	2.5
Permanent current rating of switching output DC [mA]	200
Switching frequency DC [Hz]	200
Electrical design	PNP
Short-circuit protection	yes
Type of short-circuit protection	pulsed
Overload protection	yes

IM5128



Inductive sensor

IMC3020BBPKG/K1/US-100-DPS

Range		
Sensing range	[mm]	20
Real sensing range Sr	[mm]	20 ± 10 %
Operating distance	[mm]	0...16.2
Accuracy / deviations		
Correction factor		steel: 1 / stainless steel: 1 / brass: 1 / aluminium: 1 / copper: 1
Hysteresis	[% of Sr]	1...20
Switch point drift	[% of Sr]	-10...10
Correction factor K = 1		yes
Operating conditions		
Ambient temperature	[°C]	-25...70
Protection		IP 67
Tests / approvals		
EMC	EN 61000-4-2 ESD	8 kV CD / 6 kV AD
	EN 61000-4-3 HF radiated	10 V/m
	EN 61000-4-4 Burst	2 kV
	EN 61000-4-5 Surge	0,5 kV line to line, Ri: 2 Ohm
	EN 61000-4-6 HF conducted	10 V
	EN 55011	class B
MTTF	[years]	1165
Mechanical data		
Weight	[g]	140
Housing		rectangular
Sensing face		5 positions selectable
Mounting		flush mountable
Dimensions	[mm]	40 x 40 x 54
Materials		housing: PA; plug: stainless steel
Displays / operating elements		
Display	switching status	1 x LED, yellow
	operation	1 x LED, green
Remarks		
Pack quantity		1 pcs.
Electrical connection - plug		
Connector: 1 x M12; Locking: locking, rotatable		
		

IM5128



Inductive sensor

IMC3020BBPKG/K1/US-100-DPS

Connection

