

---

## GSBF08R08-552-M (ORDER NO. 086568)

Series GSBF... 8 mm mechanical

- ▶ Plunger spacing 8 mm
- ▶ Upright housing
- ▶ Degree of protection IP67 according to IEC 60529



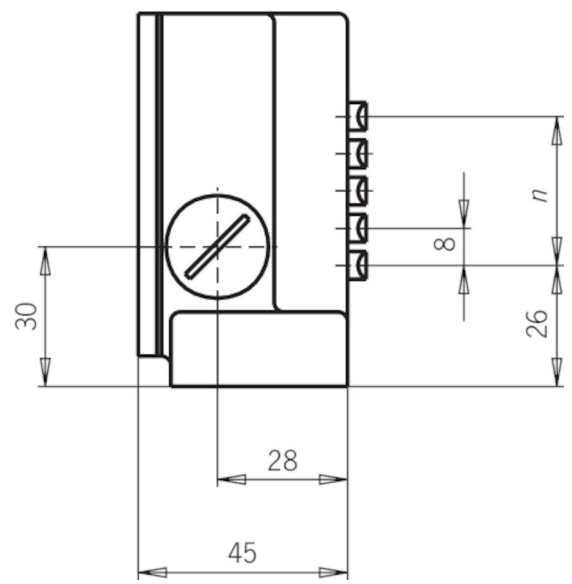
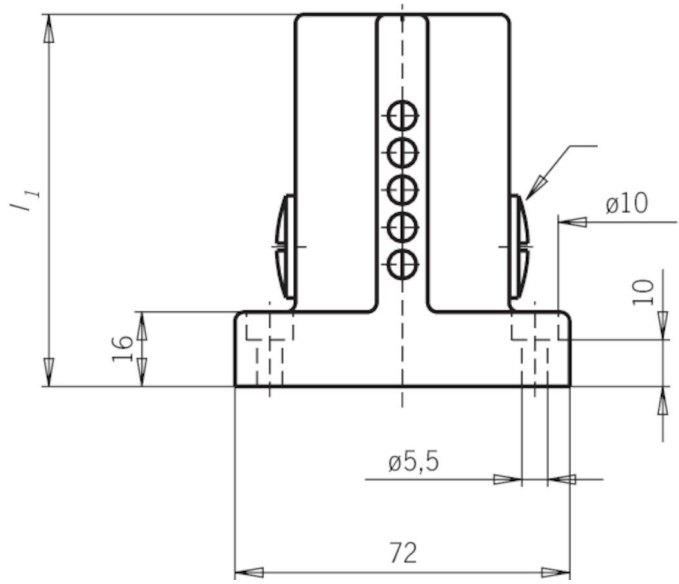
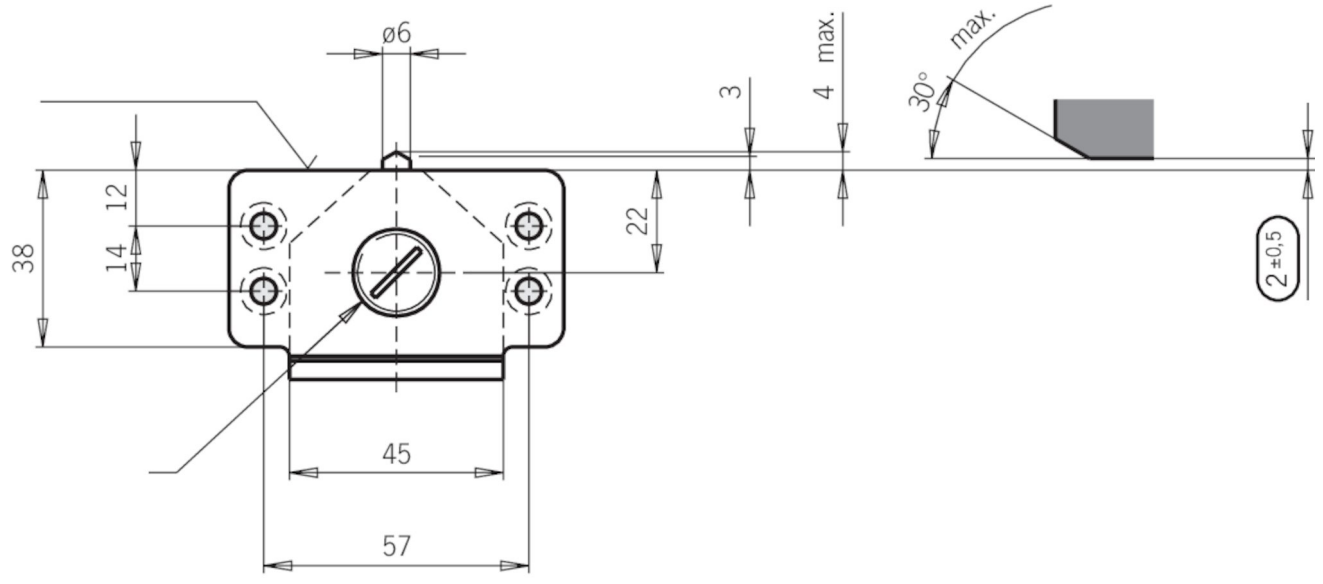
---

## DESCRIPTION

Switching element

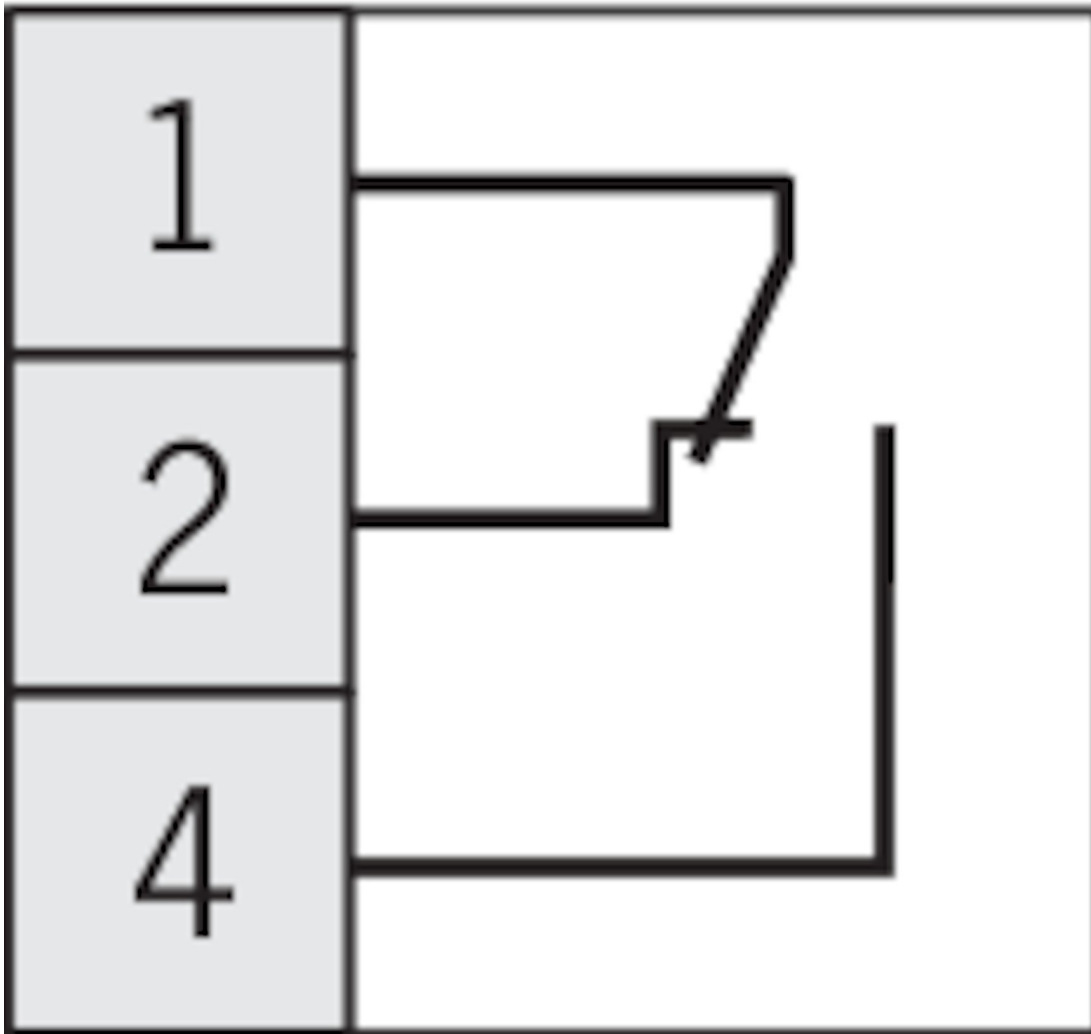
ES 552 Snap-action switching contact 1 changeover contact standard switching element

Dimension drawing



ES 552

# ES 552



—  
TECHNICAL DATA


Approvals


**ERC**


Mechanical values and environment


Design	Upright	
Housing material		
	Housing	Sand-cast aluminum, anodized
Weight		
	Net	1 kg
Ambient temperature	-5 ... 80 °C	
Degree of protection	IP67	
Mechanical life	10 x 10 <sup>6</sup>	
Contact material	Silver alloy, electro-gold-plated	
Switching principle	Snap-action switching contact (Contact bounce time ≤ 2 ms)	
Plunger spacing	8 mm	
Installation orientation	Any	
Tightening torque		
	Screw terminal switching element	max.0,2 Nm Hexagon socket AF 1.3 mm
Number of switching elements	8	
Number of changeover contacts	8	
Connection		
	3 x	M20 x 1.5
Approach speed	0,01 ... 50 m/min (The approach speed specified applies in conjunction with EUCHNER trip dogs in accordance with DIN 69639.)	
Actuating element		
	Plain bearing	Roller plunger (Operating point accuracy ± 0.05. The reproducible switching point accuracy refers to the axial travel of the plunger after the switching element ES 552 has been run-in with approx. 2000 operating cycles.)
Actuating force	min.15 N	
<b>Electrical connection ratings</b>		
Thermal rated current I <sub>th</sub>	6 A	
Utilization category acc. to EN 60947-5-1		
	AC-15	2A 230V
	DC-13	2A 24V
Short circuit protection according to IEC 60269-1	6A gG	
Rated insulation voltage U <sub>i</sub>	250 V	
Rated impulse withstand voltage U <sub>imp</sub>	2,5 kV	
Switching current		
	Min. at DC 24V	min.10 mA
Connection cross-section	0,14 ... 1,0 mm <sup>2</sup>	

## Contacts

 EUCHNER GmbH + Co. KG  
Kohlhammerstraße 16  
70771 Leinfelden-Echterdingen

 +49 711 7597-0

 +49 711 753316

 [info\(at\)euchner.de](mailto:info(at)euchner.de)