

## Features

- Automatic synchronisation with systems operation
- Reverse polarity diode fitted
- 'Stage Programmable' version available with 32 sounds and 3 remotely selectable stages
- Degree of protection IP66 / IP67
- Marine grade and corrosion proof LM6 aluminium enclosure
- Ratchet adjustable stainless steel 'U' bracket
- Beacons can be set to 'flip-flop' alternating mode with other units on multi-beacon systems
- Omni-directional sound output
- UV stable PC field replaceable lens colour filter

## Assembly



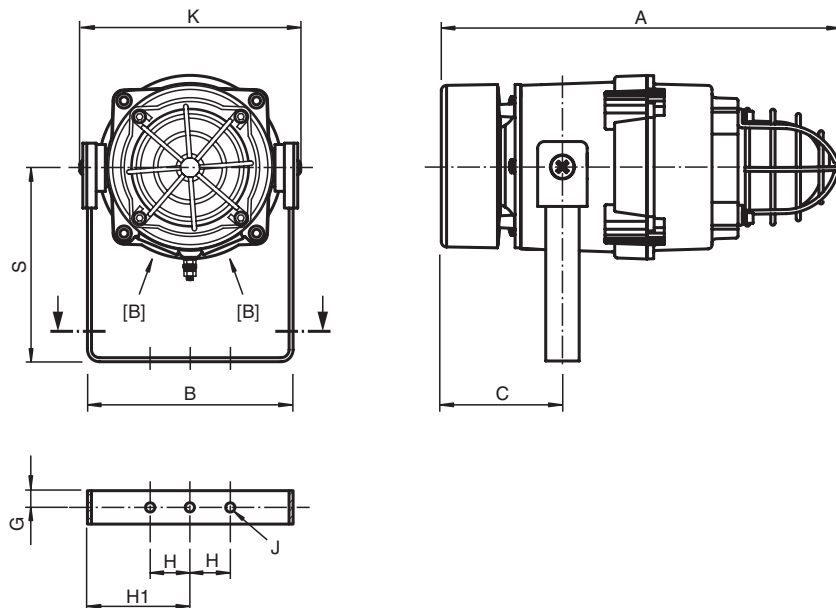
## Technical data

### Electrical specifications

Operating voltage	240 V AC , 115 V AC , 24 V DC , further on request
Terminal capacity	0.5 ... 2.5 mm <sup>2</sup>
Line monitoring	blocking diode included EOL resistors (AC) or diodes (DC) available on request
Function	alarm sounder
Sound pressure level, maximum	115 dB @ 1 m , 106 dB @ 3 m
Sound pressure level, nominal	110 dB @ 1 m +/- 3 dB - sound 2 , 101 dB @ 3 m
Sound pressure level, control	72 ... 110 dB , sound 2
Effective sound range	100 m @ 1 kHz
Number of sounds	32 , UKOOA / PFEER compliant
Number of stages	3
Stage switching	negative or positive
Function 2	flashing beacon
Lens color	red , yellow , blue , green , further on request
Flash mode	flash rate: 1 Hz / 1.5 Hz / 2 Hz double strike / triple strike flash steady light high power / low power
Effective luminous intensity	87 cd @ steady light high power 160 cd @ 1 Hz flash
Illuminant, type	array of 4x high-intensity Cree® LED
Illuminant, life	60000 hours
<b>Mechanical specifications</b>	
Degree of protection	IP66/IP67
Cable entry face B	
M20 quantity	2
M20 type	metric ISO pitch 1.5 mm
M20 info	Stopping Plug 1x brass nickel-plated

<b>Material</b>	
Enclosure	Aluminum LM6
Horn	fiber reinforced ABS, UL94-V0 and 5VA
Finish	chromated, powder coated RAL 3000 (red)
Mounting bracket	stainless steel 1.4301 / AISI 304
<b>Mass</b>	DC: 4.8 kg , AC: 5 kg
<b>Dimensions</b>	
External dimension (A)	296.7 mm
External dimension (B)	153.6 mm
External dimension (C)	90.5 mm
Mounting holes distance (G)	12.5 mm
Mounting holes distance (H)	30 mm
Mounting holes distance (H1)	76.8 mm
Mounting holes diameter (J)	7 mm
Depth mounting frame (S)	145 mm
Maximum external dimension (K)	165 mm
Grounding	external grounding bolt M5
<b>Ambient conditions</b>	
Ambient temperature	-50 ... 70 °C (-58 ... 158 °F)
<b>Data for application in connection with hazardous areas</b>	
EU-type examination certificate	KEMA 01 ATEX 2223 X
Marking	ⓧ II 2 GD Ex d IIB T* Gb Ex tb IIIC T** °C Db T5 @ Ta +50 °C , T4 @ Ta +70 °C T70 °C @ Ta +40 °C , T85 °C @ Ta +55 °C , T100 °C @ Ta +70 °C
<b>International approvals</b>	
IECEX approval	IECEX KEM 10.0025X
EAC approval	RU C-GB.AA71.B.00109
<b>Conformity</b>	
Degree of protection	EN 60529
<b>General information</b>	
Scope of delivery	device , 1 Stopping Plug , Instruction leaflet
Supplementary information	EC-Type Examination Certificate, Statement of Conformity, Declaration of Conformity, Attestation of Conformity and instructions have to be observed where applicable. For information see <a href="http://www.pepperl-fuchs.com">www.pepperl-fuchs.com</a> .

## Dimensions



## Legend

A	Height
B	Width
C	Depth
G	Mounting holes distance
H	Mounting holes distance
H1	Mounting holes distance from edge of bracket
J	Mounting holes diameter
K	Maximum outer dimension with bracket
K1	Maximum outer dimension with horn
S	Depth of mounting bracket
[A] ... [B]	Cable entry faces

Dimension values see technical data table.

Image and drawing are generic for this device type and may deviate from the specific variant.