

F1S-ACW-65-9.5-22

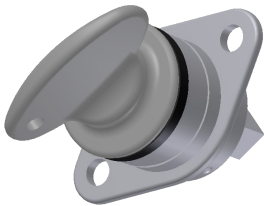
The FS and Q Interlocks are designed for use as a mechanical interlock for electrical switchgear. This is done through a mechanical connection to the isolation equipment. The standard unit is fitted with a 9.5mm square x 22mm spigot that can be used to operate an isolator. Inserting and turning the key moves the spigot through a predetermined angular position (45°/65°/90° clock or anti clock wise) moving the isolator to closed. Rotating the key in the opposite direction will open the isolator and will release the key. The free key can then be transferred to operate a parallel supply stream or an access interlock. The FS and Q locks are manufactured in brass or stainless steel making it ideal for harsh or corrosive environments.

Operation

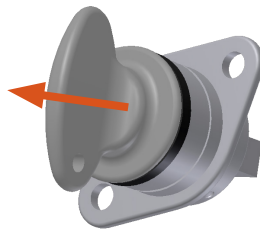
The FS/Q switchgear interlocks are designed to control the operation of HV/LV switchgear.

FS/Q switchgear interlock

① Key is trapped,
HV/LV circuit is closed.



② Turn and release key to open
the HV/LV circuit.



③ Key is free and the
HV/LV circuit is open.



1. While the key is trapped, the isolator is closed providing the power supply.
2. Turning the key opens the isolator. The key can then be released.
3. The free key can be used to operate either a parallel supply stream or an access interlock.

The FS/Q switchgear interlocks are available in a 45° clockwise or in a 45° anti clockwise mounting position. A set range of rotational movement and spigot lengths are available (see page 5 for ordering details).

Usage

The FS/Q switchgear interlocks should be used as part of an integrated safety system, to control the operation of HV/LV switchgears.



The FS/Q switchgear interlocks are not designed for security purposes, such as a safe or external access to a building.

No hazardous substances were used in the manufacture of this product. The product can be disposed of in standard waste.

Installation

The FS/Q switchgear interlocks should normally be mounted to a panel using suitable fasteners. Please refer to drawing on page 4 for more details



IMPORTANT:

The interlock should be mounted using anti-tamper fasteners to prevent unauthorised removal.



The FS/Q switchgear interlocks must be installed by a competent and qualified person who has read and understood these instructions. Please retain this document in your technical file.

Maintenance

Periodic visual checks should be carried out by the site manager / safety officer.
Do not lubricate lock barrel with oil or grease, use CK Dry Powder Graphite if necessary.



In case of defects being detected please contact your nearest Castell Support Department for further actions.
Please see Contact section for contact details.

Technical Data

Temperature rating	Minimum: -40°C [-40°F] ice free for Q & F Type
	Maximum: 107°C [224,6°F] for Q Type/140°C [284°F] for F Type
Type of mounting	panel mount using suitable fasteners (please refer to drawing on page 4 for more details)
Weight	0,2 kg
Material	Brass/Stainless steel/Nickel Plated
MTTF Certification	Available on request

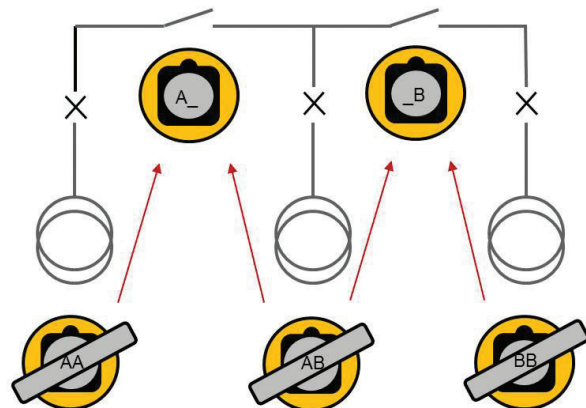
Application

The FS/Q locks are used to ensure that multiple supplies are not applied to common bus bars.

When all incomers are closed the bus bars are open.
To close a bus bar, first the incomers must be switched to open.

In the shown is application to close Bus 1, either incomer AA or AB must be opened. The key is removed from either AA or AB connection and is then inserted into the bus switch A_ (A BLANK).

To close Bus 2, either incomer AB or BB must be opened and the key AB or BB transferred to the switch _B (BLANK B).



EC-Declaration

KSS20

D Panel Door Interlock

We, the manufacturers, declare that the components, detailed herein and placed on the market, comply with all the essential health and safety requirements applying to them.

Empowered signatory:

Mr T.C. Whelan
Managing Director



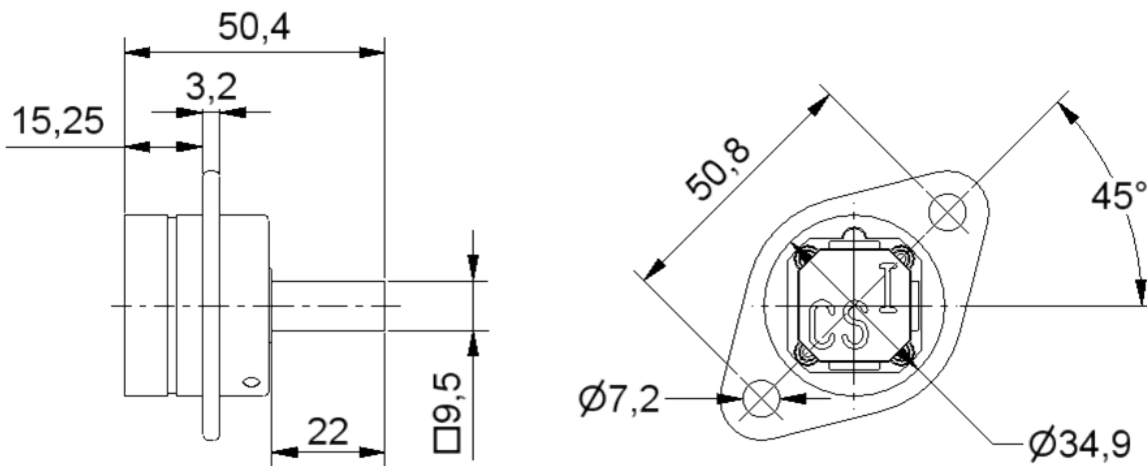
While every effort has been made to ensure the accuracy of the information provided, no liability can be taken for any errors or omission. Castell Safety International Limited reserves the right to alter specifications and introduce improvements without prior notice.

Drawing

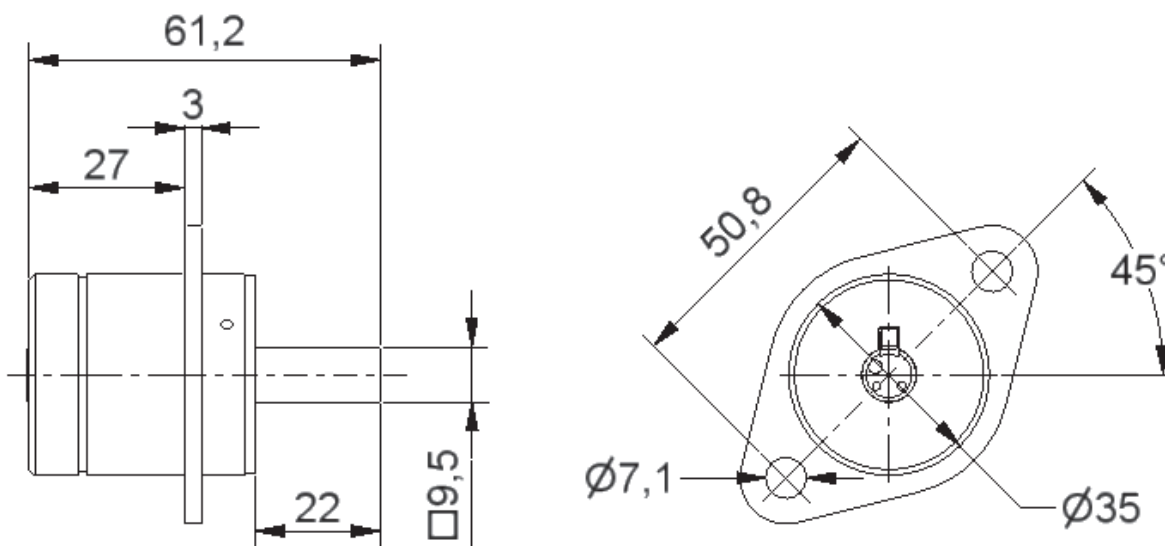
Dimensions:
in mm

Note: For safe mounting, use security screws

FS1 lock (45° clockwise mount)



Q1 lock (45° clock wise mount)

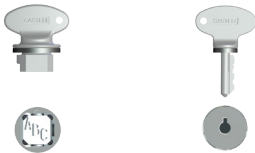


Order Information

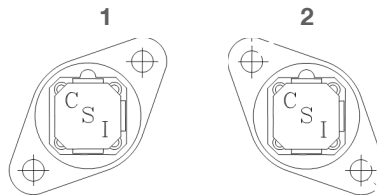
	1	2	3	4	5	6	7
Part Number	FS/Q			-		-	
Example	FS	1	B	-	ACW	-	45 - 9.5 - 22
	8						
	ABC						

1	Lock portion type	FS ⁽¹⁾ / Q ⁽¹⁾
2	Mounting position	1 = 45° clockwise / 2 = 45° anti clockwise ⁽²⁾
3	Material	B = Brass / S = Stainless steel / PL = Nickel plated
4	Rotational movement	CW = clock wise / ACW = anti clockwise
5	Key Rotation (degree movement)	45° / 65° / 90°
6	Spigot square profile	9,5 = 9,5 x 9,5 mm (standard)
7	Spigot length	22 = 22 mm (standard)
8	Lock portion symbol	FS ⁽¹⁾ up to 3 characters / Q ⁽¹⁾ up to 6 characters

(1) **F - Lock style** **Q - Lock style**
 Up to 3 characters Up to 6 characters




(2) **Mounting position**



Special construction available upon enquiry

Accessories

	Product	Part number
	Flip Cap	FLIP-S

Contact Information

Castell Safety International Ltd.
 The Castell Building
 217 Kingsbury Road
 London, England NW9 9PQ

t: +44 (0) 20 8200 1200
 f: +44 (0) 20 8905 9378
 e: uksales@castell.com

Castell Safety International Ltd.
 Oskar-Jäger-Strasse 137
 50825 Köln
 Germany

t: +49 (0) 221 1694 794
 f: +49 (0) 221 1694 795
 e: vertrieb@castell.com

Castell Interlocks Inc.
 Suite 800
 150 N Michigan Avenue,
 Chicago, Illinois 60601
 USA

t: +1.312.360.1516
 f: +1.312.268.5174
 e: ussales@castell.com

Castell Safety China
 Building 1, No. 123,
 Lane 1165, Jindu Road,
 Minhang District,
 Shanghai 201108, China.

t: +86 21 61519023
 f: +86 21 61519030
 e: chinasales@castell.com

While every effort has been made to ensure the accuracy of the information provided, no liability can be taken for any errors or omission. Castell Safety International Limited reserves the right to alter specifications and introduce improvements without prior notice.