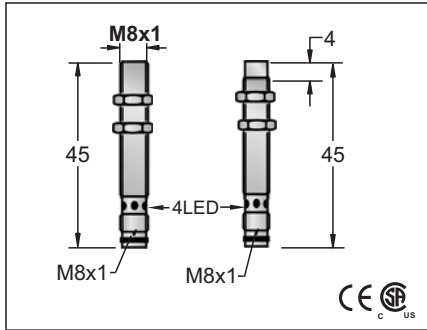


DC METAL FACE INDUCTIVE PROXIMITY SWITCH

M 8	
●	○
1 mm	2 mm
Stainless steel	
●	

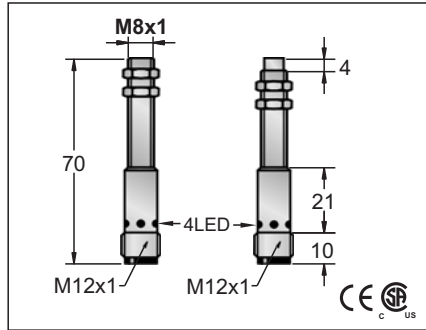


10-30VDC or 10-55VDC	
<10%	
<10mA	
200mA	
<0.01mA	
-	
-	
<1.5V	
500HZ	
0.1ms/0.1ms	
<15%(Sr)	
<1.0%(Sr)	
IP67	
-25 °C - +70 °C	
<10%(Sr)	
YES	
220mA	
<10ms	
RFI>3V/m / EFT>1KV / ESD>4KV (contact)	
IEC 60947-5-2,Part 7.4.1 / IEC 60947-5-2,Part 7.4.2	
Stainless steel	

FCS1-0801N-ACS3	29	FCS2-0802N-ACS3
FCS1-0801N-BCS3	29	FCS2-0802N-BCS3
FCS1-0801P-ACS3	30	FCS2-0802P-ACS3
FCS1-0801P-BCS3	30	FCS2-0802P-BCS3
FCS1-0801P-SCS4	32	FCS2-0802P-SCS4
FCS1-0801N-SCS4	31	FCS2-0802N-SCS4
FCS1-0801C-ACS3	39	FCS2-0802C-ACS3
FCS1-0801C-BCS3	77	FCS2-0802C-BCS3
HCS1-0801N-ACS3	29	HCS2-0802N-ACS3
HCS1-0801N-BCS3	29	HCS2-0802N-BCS3
HCS1-0801P-ACS3	30	HCS2-0802P-ACS3
HCS1-0801P-BCS3	30	HCS2-0802P-BCS3

3 φ 3x0.15	
Approx.33 g	Approx.32 g

M 8	
●	○
1 mm	2 mm
Stainless steel	
●	



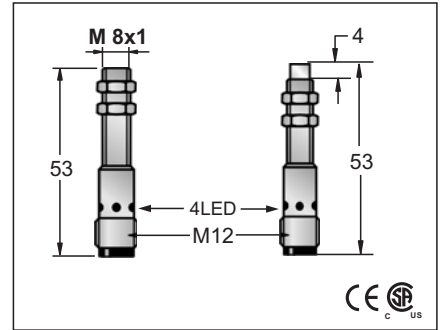
10-30VDC or 10-55VDC	
<10%	
<10mA	
200mA	
<0.01mA	
-	
-	
<1.5V	
500HZ	
0.1ms/0.1ms	
<15%(Sr)	
<1.0%(Sr)	
IP67	
-25 °C - +70 °C	
<10%(Sr)	
YES	
220mA	
<10ms	
RFI>3V/m / EFT>1KV / ESD>4KV (contact)	
IEC 60947-5-2,Part 7.4.1 / IEC 60947-5-2,Part 7.4.2	
Stainless steel	

FCS1-0801N-ARU4	33	FCS2-0802N-ARU4
FCS1-0801N-BRU4	34	FCS2-0802N-BRU4
FCS1-0801P-ARU4	35	FCS2-0802P-ARU4
FCS1-0801P-BRU4	36	FCS2-0802P-BRU4
FCS1-0801P-SRU4	38	FCS2-0802P-SRU4
FCS1-0801N-SRU4	37	FCS2-0802N-SRU4
FCS1-0801C-ARU4	40	FCS2-0802C-ARU4
FCS1-0801C-BRU4	78	FCS2-0802C-BRU4
HCS1-0801N-ARU4	33	HCS2-0802N-ARU4
HCS1-0801N-BRU4	34	HCS2-0802N-BRU4
HCS1-0801P-ARU4	35	HCS2-0802P-ARU4
HCS1-0801P-BRU4	36	HCS2-0802P-BRU4

3 φ 3x0.15	
Approx.33 g	Approx.32 g

Please see Page 18 for details and specifications of DC 2-Wire models on this page.

M 8	
●	○
1 mm	2 mm
Stainless steel	
●	



10-30VDC or 10-55VDC	
<10%	
<10mA	
200mA	
<0.01mA	
-	
-	
<1.5V	
500HZ	
0.1ms/0.1ms	
<15%(Sr)	
<1.0%(Sr)	
IP67	
-25 °C - +70 °C	
<10%(Sr)	
YES	
220mA	
<10ms	
RFI>3V/m / EFT>1KV / ESD>4KV (contact)	
IEC 60947-5-2,Part 7.4.1 / IEC 60947-5-2,Part 7.4.2	
Stainless steel	

FCS1-0801N-ARS4	33	FCS2-0802N-ARS4
FCS1-0801N-BRS4	34	FCS2-0802N-BRS4
FCS1-0801P-ARS4	35	FCS2-0802P-ARS4
FCS1-0801P-BRS4	36	FCS2-0802P-BRS4
FCS1-0801P-SRS4	38	FCS2-0802P-SRS4
FCS1-0801N-SRS4	37	FCS2-0802N-SRS4
FCS1-0801C-ARS4	40	FCS2-0802C-ARS4
FCS1-0801C-BRS4	78	FCS2-0802C-BRS4
HCS1-0801N-ARS4	33	HCS2-0802N-ARS4
HCS1-0801N-BRS4	34	HCS2-0802N-BRS4
HCS1-0801P-ARS4	35	HCS2-0802P-ARS4
HCS1-0801P-BRS4	36	HCS2-0802P-BRS4

3 φ 3x0.15	
Approx.18 g	Approx.17 g

Note:
Coming Soon : Part numbers with underline
In Preparation: Part numbers with a line through the middle