

Item # 732-0030 VDC, Clip 48mm Square

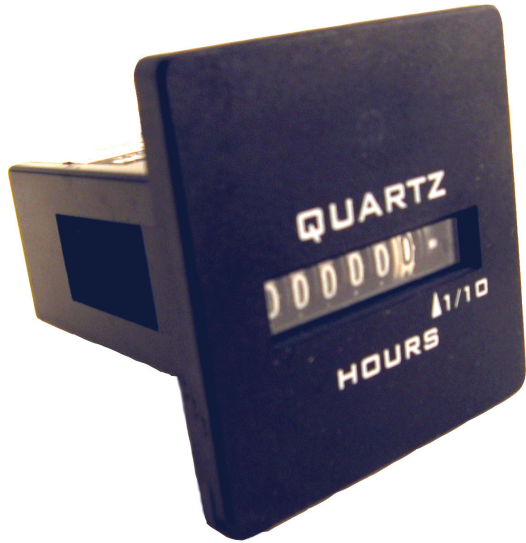
VDC, Clip 48mm Square

The Redington Model 732 provides a DC Hour Meter with an operating range of 10-80VDC. Models are protected for two times battery voltage and/or reverse polarity. Models are available in the standard industry housings. Its quartz time base insures accurate long-term time keeping. The Totally Sealed case protects against the environment and provides years of reliable service. All applicable models are NEMA 4X, 12 rated when mounted with optional gasket.

Specifications

Model No.	732
Mounting	Clip, 48mm Square
Reset	Non-reset
Termination	1/4 inch (6.3mm) spade terminals
Display	6 - digits, 0.125 inch (3.2mm) 99999.9 Hours - white on black Tenths - red on white
Display Height	0.125 Inch
Display Height	3.2 mm
No. of Digits	6
Records	99999.9 hours
Accuracy	± 0.02 over entire range
Input Voltage	10-80 VDC
Power	0.3 watts at 12VDC
Operating Temperature	-40 to +185 °F
Operating Temperature	-40 to +85 °C
Case Material	Black Polymer
Weight	2 oz

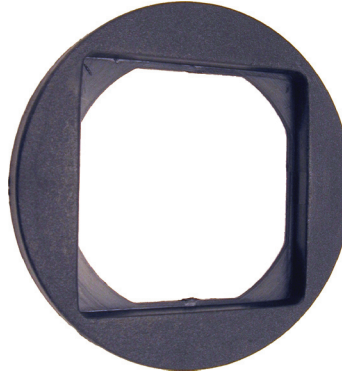
Weight	57 gm
Approvals	UL/CSA Recognized, CE Compliant
Environmental Protection	Totally sealed
Vibration	10-75 Hz
Stock Availability	Yes
Accessory	1662-024 (72mm Square Panel Adapter) 1662-026 (55mm Square Panel Adapter) 1662-025 (72mm Round Panel Adapter)



722-0030/732-0030, 1.89" [48mm] Square



Square Panel, 2.84" [72mm]



Round Panel, 2.84" [72mm]



Square Panel, 2.2" [55mm]

Description

The Redington Model 722 provides an AC Hour Meter with an operating range of 90-264VAC 50/60 Hz. You no longer require two separate meters, one for 115VAC and one for 230VAC. The Redington Model 732 provides a DC Hour Meter with an operating range of 10-80VDC. 732 Models are protected for 2x battery voltage and/or reverse polarity. A quartz time base insures accurate long-term time keeping while the sealed case protects against the environment and provides years of reliable service. Models have a square front panel dimension of 1.90" [48mm x 48mm]. Three adapter panels are also available for fitting additional panel dimensions.

Features

- 722 Operating voltage 90-264VAC 50/60Hz
- 732 Operating voltage 10-80VDC
- Totally Sealed
- UL/cUL Recognized, CE & RoHS Compliant
- 6 Figure, 99999.9

Options

- Wire leads
- Terminals up, down, straight
- Available adapter panels

Specifications

Figures: 6 - digits, 0.14" [3.6mm] 99999.9
Hours and indicator - white on black
Decimal - black on white

Reset: Non-reset

722 Voltage: 90-264VAC 50/60Hz

732 Voltage: 10-80VDC 50/60Hz

Power: 1 watt max.

Mounting: Clip (with optional adapter panels)

Termination: ¼" [6.3mm] spade terminals

Weight: ~2 oz [57 g]

Accuracy: ± 0.02% over entire range

Case Material: Black polymer

Lens Material: Polymer

Agency Approvals: UL/cUL Recognized, CE, RoHS, SAE J1378

732 Overvoltage & Reverse Polarity: Protected for 2x battery voltage/reverse polarity

Environmental: Totally Sealed

Temperature: -40°F to +185°F [-40°C to + 85°C]

Humidity: 95% (SAE J1378)

Vibration: 10-80 Hz, 20g max. (SAE J1378)

Shock: 55g @ 9 - 13msec (SAE J1378)

Models

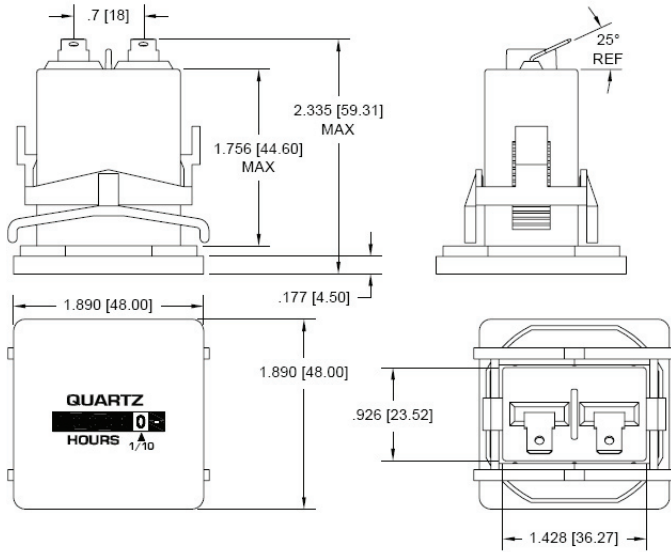
Description

722-0030	Square Panel mount with Clip, 90-264VAC 50/60Hz, ¼" [6.3mm] spade terminals, hours & 1/10's
732-0030	Square Panel mount with Clip, 10-80VDC, ¼" [6.3mm] spade terminals, hours & 1/10's
1662-026	Square Panel, 2.2" [55mm]
1662-024	Square Panel, 2.84" [72mm]
1662-025	Round Panel, 2.84" [72mm]

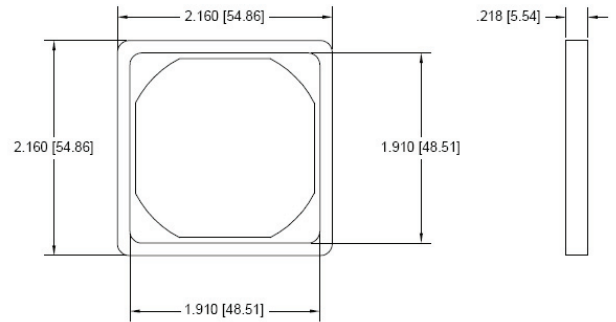
* All items are normally in factory stock



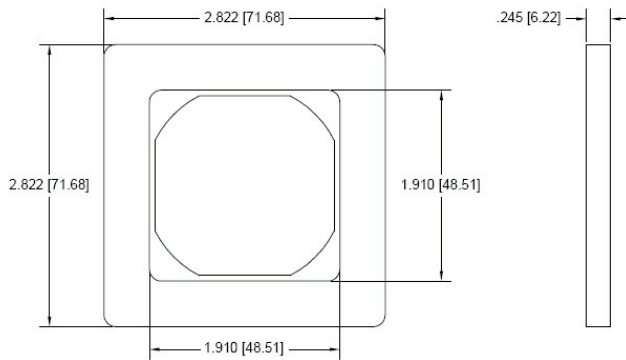
Dimensions



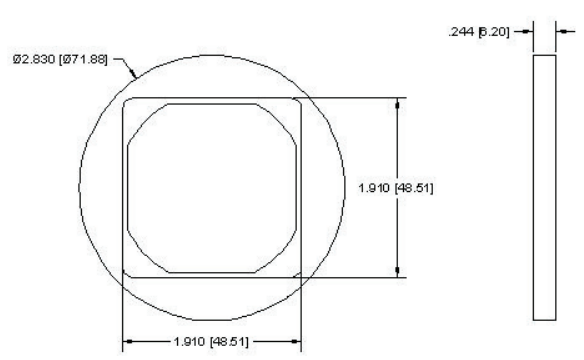
722-0030/732-0030



Square Panel, 2.2" [55mm]



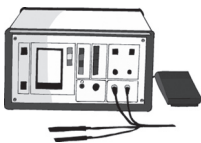
Square Panel, 2.84" [72mm]



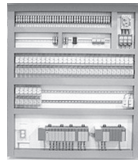
Round Panel, 2.84" [72mm]

Model 722 Applications

Medical Equipment



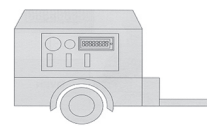
Control Panels



Test Equipment



Generators

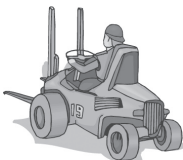


Office Equipment



Model 732 Applications

Material Handling



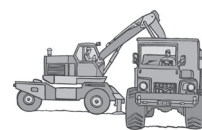
Farm Equipment



Outdoor Power Equipment



Construction Equipment



Utility Vehicles

