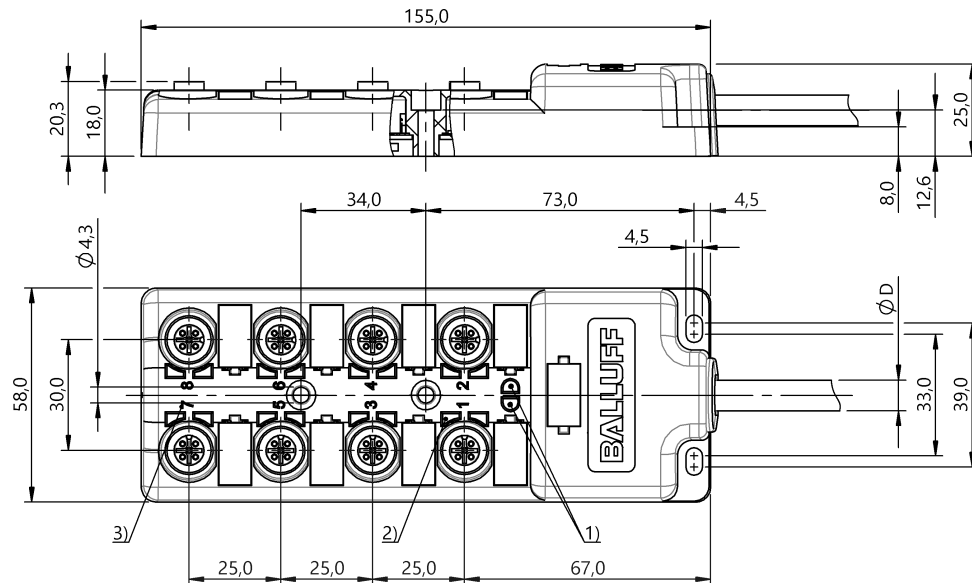


## Junction blocks

**BPI 8M4A4P-2K-B0-KPXB0-030**

**Order Code: BPI0090**

# BALLUFF



1) Power green, 2) LED yellow for Signal 1 (NO), 3) Slot numbering



### Basic features

<b>Approval/Conformity</b>	CE cULus EAC WEEE
<b>Scope of delivery</b>	Part labels (24x) Cover cap (4x)

### Display/Operation

<b>Power indicator</b>	Green LED
<b>Switching function display</b>	Yellow LED (8x)

### Electrical connection

<b>Bending radius min., fixed cable</b>	7.5 x D
<b>Bending radius min., flexible cable</b>	15 x D
<b>Cable</b>	PUR black, 3 m, Drag chain compatible
<b>Cable diameter D</b>	8.30 mm ±0.3 mm
<b>Cable, bending cycles min.</b>	2 million
<b>Conductor cross-section</b>	0.34 mm <sup>2</sup> + 1.0 mm <sup>2</sup>
<b>Connection slots</b>	8x M12x1-Female, 4-pin
<b>Number of conductors</b>	11

### Electrical data

<b>Isolation resistance</b>	≥ 10 GOhm
<b>Operating voltage Ub</b>	10...30 VDC
<b>Output current max.</b>	4 A
<b>Rated operating voltage Ue DC</b>	24 V
<b>Total current max.</b>	8 A

### Environmental conditions

<b>Cable temperature, fixed routing</b>	-40...80 °C
<b>Cable temperature, flexible routing</b>	-20...80 °C
<b>Protection degree</b>	IP67 when threaded in

### Material

<b>Cable jacket, material</b>	PUR
<b>Housing material</b>	PBT, GF
<b>Material contact carrier</b>	PBT
<b>Material contacts</b>	Bronze (CuSn6), nickel layer

### Mechanical data

<b>Acceleration max., drag chain</b>	10 m/s <sup>2</sup>
<b>Cable jacket, color</b>	black
<b>Cable length L</b>	3.00 m
<b>Cable properties</b>	Drag chain compatible
<b>Casting</b>	yes
<b>Dimension</b>	155 x 58 x 25 mm
<b>Horizontal travel permitted, drag chain</b>	10 m at 10 m/s <sup>2</sup>
<b>Mounting</b>	M4 (4x)
<b>Tightening torque</b>	1.2 Nm ±0.2 (M4)
<b>Tightening torque pigtail</b>	0.6 Nm + 0.1 Nm (M12 connector)
<b>Traverse speed max., drag chain</b>	3 m/s

### Output/Interface

<b>Switching output</b>	PNP normally open (NO)
-------------------------	------------------------

## Junction blocks

**BPI 8M4A4P-2K-B0-KPXB0-030**

**Order Code: BPI0090**

# BALLUFF

### Remarks

Cable construction acc. to UL-AWM Style 20549/10493

Flame resistance per IEC 60332-1-2

Flame resistance per UL 758/1581 FT2

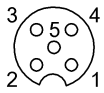
Halogen-free per DIN VDE 0472 Part 815

Halogen-free acc. to IEC 60754-1

Oil resistant per DIN EN 60811-404 (VDE 0473-811-404)

Enclosure rating per IEC 60529, only in screwed state with the associated mating piece.

### Connector Drawings



#### I/O ports

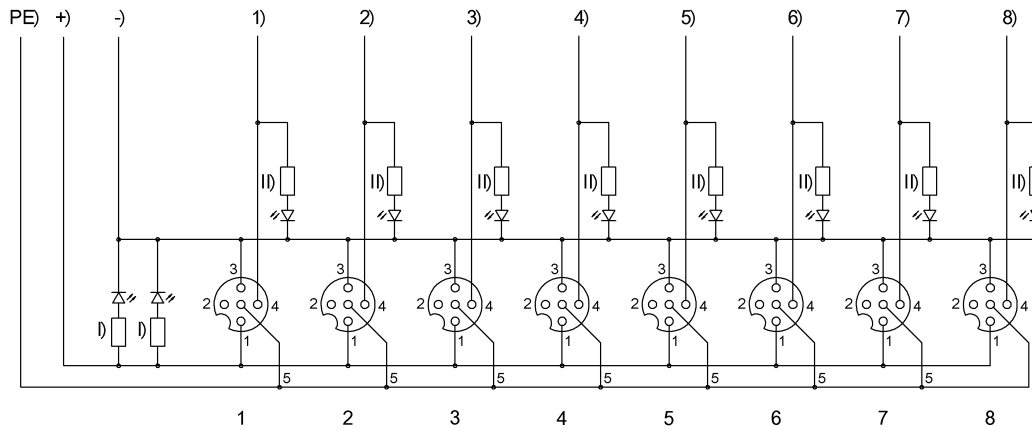
PIN 1: +24V

PIN 3: 0V

PIN 4: Normally open

PIN 5: PE

**Wiring Diagrams**



-) blue 1.00 mm<sup>2</sup>

+) brown 1.00 mm<sup>2</sup>

1) white

2) green

3) yellow

4) gray

5) pink

6) red

7) black

8) violet

I) LED green

II) LED yellow

PE) green/yellow 1.00 mm<sup>2</sup>