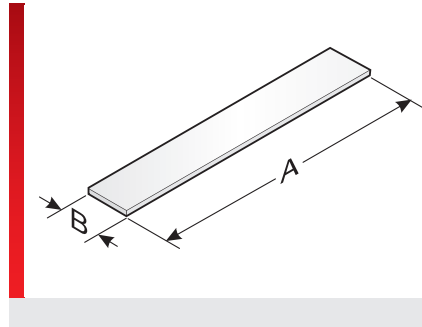
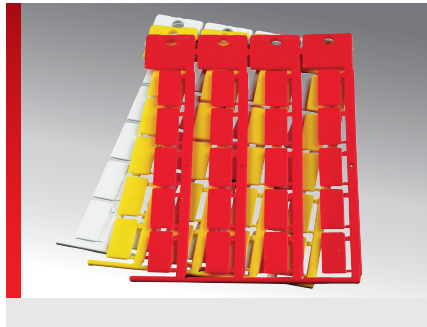


KSO label plate



Single wire, cable, and conduit labelling

PRODUCT INFORMATION

High-quality, halogen-free, universal label for single-line and multi-line inscriptions.

- Available in various lengths and colours.
- The large printable area at the top provides room to reference individual

projects.

The KSO label is mounted on cables, lines or conduits with KT series sleeves or the KM, KMH, KMH/Q carriers.

SPECIFICATIONS

- Polycarbonate (PC)
- 40 – 130 °C
- V0
- Single-line and multi-line inscription

HF

Type	Order No.	Colour	RAL equiv.	Label size mm (B x A)	Title space mm	No. characters/lines	No. per Frame	Base plate	Software Type	Pack qty.
Label length 11 mm										
KSO 11x9	86421024	White	9016	9.00 x 11.00	9.00 x 11.00	6 / 2	44	GP4	60	1400
KSO 11x9	86421013	Yellow	1018	9.00 x 11.00	9.00 x 11.00	6 / 2	44	GP4	60G	1400
KSO 11x9	86421015	Red	2012	9.00 x 11.00	9.00 x 11.00	6 / 2	44	GP4	60R	1400
Label length 15 mm										
KSO 15x9	86421026	White	9016	9.00 x 15.00	9.00 x 15.00	8 / 2	44	GP4	62	1400
KSO 15x9	86421027	Yellow	1018	9.00 x 15.00	9.00 x 15.00	8 / 2	44	GP4	62G	1400
KSO 15x9	86421019	Red	2012	9.00 x 15.00	9.00 x 15.00	8 / 2	44	GP4	62R	1400
Label length 17.5 mm										
KFM 17,5x8	86421071	White	9016	8.00 x 17.50	8.00 x 17.50	9 / 2	24	GP4	550	720
Label length 20 mm										
KSO 20x9	86421028	White	9016	9.00 x 20.00	9.00 x 20.00	11 / 2	20	GP4	64	680
KSO 20x9	86421080	Yellow	1018	9.00 x 20.00	9.00 x 20.00	11 / 2	20	GP4	65G	680
KSO 20x9	86421030	Red	2012	9.00 x 20.00	9.00 x 20.00	11 / 2	20	GP4	65R	680
Label length 20 mm, long mat design										
KSO 20x9L	86421230	White	9016	9.00 x 20.00	9.00 x 20.00	11 / 2	20	GP4	551	640
KSO 20x9L	86421232	Yellow	1018	9.00 x 20.00	9.00 x 20.00	11 / 2	20	GP4	552	640
KSO 20x9L	86421234	Red	2012	9.00 x 20.00	9.00 x 20.00	11 / 2	20	GP4	553	640
Label length 35 mm										
KSO 35x9	86421064	White	9016	9.00 x 35.00	9.00 x 35.00	19 / 2	12	GP4	69W	360

KSO label plate

Type	Order No.	Colour	RAL equiv.	Label size mm (B x A)	Title space mm	No. characters/lines	No. per Frame	Base plate	Software Type	Pack qty.
KSO 35x9	86421065	Yellow	1018	9.00 x 35.00	9.00 x 35.00	19 / 2	12	GP4	69G	360
KSO 35x9	86421066	Red	2012	9.00 x 35.00	9.00 x 35.00	19 / 2	12	GP4	69R	360
KSO 35x9 2x2,5mm	86421068	White	9016	9.00 x 35.00	9.00 x 35.00	19 / 2	12	GP4	303	360
Label length 70 mm										
KSO 70x9	86421082	White	9016	9.00 x 70.00	9.00 x 70.00	38 / 2	11	GP5	280	330
KSO 70x9	86421083	Yellow	1018	9.00 x 70.00	9.00 x 70.00	38 / 2	11	GP5	282	330
KSO 70x9	86421084	Red	2012	9.00 x 70.00	9.00 x 70.00	38 / 2	11	GP5	281	330

MATERIAL PROPERTIES



THERMAL PROPERTIES



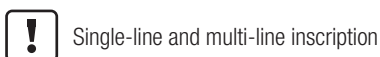
FIRE BEHAVIOUR



TECHNICAL INFORMATION



GENERAL TECHNICAL DATA



INSTALLATION METHOD



LABELLING TECHNOLOGY



KSO label plate

All details given in our sales brochures and catalogues, as well as the information available online, are based on our current knowledge of the products described.

The electronic data and files made available by Murrplastik, particularly CAD files are based on our current knowledge of the product described.

A legally binding assurance of certain properties or the suitability for a certain purpose can not be determined from this information.

All information with respect to the chemical and physical properties of Murrplastik products, as well as application advice given verbally, in writing or by tests, is given to the best of our knowledge.

This does not free the purchaser of carrying out their own inspections and tests in order to determine the suitability of a product for a specific purpose.

Murrplastik accepts no responsibility for the available information being up-to-date, correct or complete. Neither do we accept responsibility for the quality of this information.

Murrplastik accepts no liability for damage caused as a result of using our products.

Murrplastik reserves the right to make technical changes and improvements through constant further development of products and services.

Our General Terms and Conditions apply.