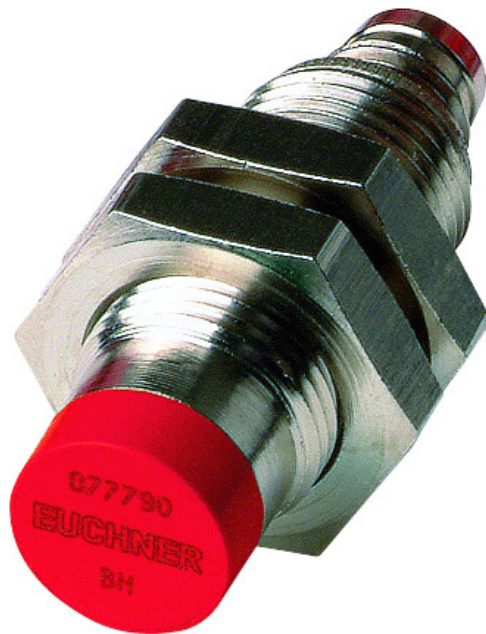


## ITEM 077790 CES-A-LMN-SC

Description	Technical data	Accessories	Downloads
-------------	----------------	-------------	-----------

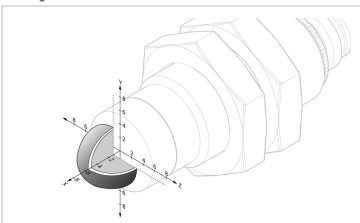


### Features

- › Cylindrical design M12
- › M8 plug connector (snap-action and screw terminals)

**Attention:** The operating distance may vary depending on the background material and installation situation.

**Important:** Actuators must be ordered separately!



› Typical operating distance

A minimum distance of  $s = 1.2 \text{ mm}$  must be maintained.

### Mechanical values and environment

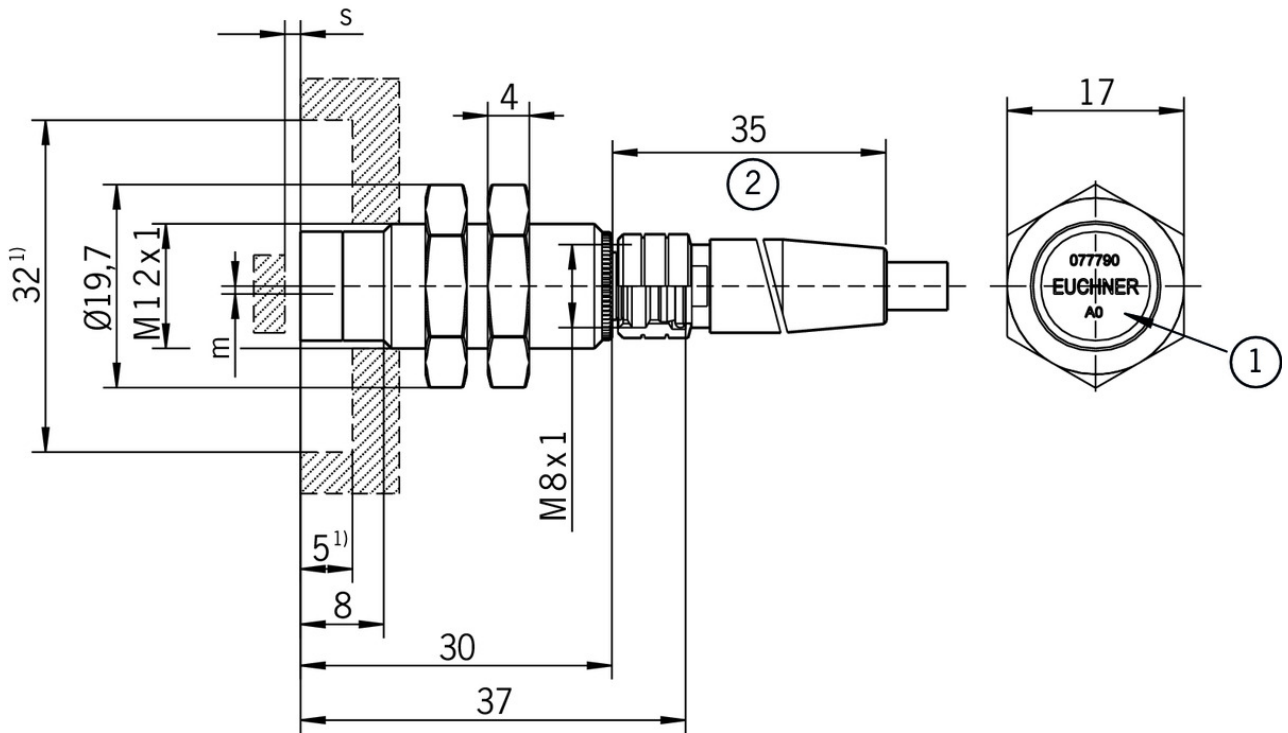
Housing material

Housing sleeve	CuZn nickel-plated
Cap	Plastic PBT GF20
Weight	
Net	0,02 kg
Ambient temperature	-25 ... 85 °C
Ambient pressure	
Only on active face in installed state	max.10 bar
Degree of protection	IP67 / IP69 / IP69K
Installation position	Any
Connection	M8 plug connector, 3-pin, screw or snap-action
Cable length	
Maximum allowed	max.15 m
Method of operation	Inductive

### **Electrical connection ratings**

Power supply	Via evaluation unit
--------------	---------------------

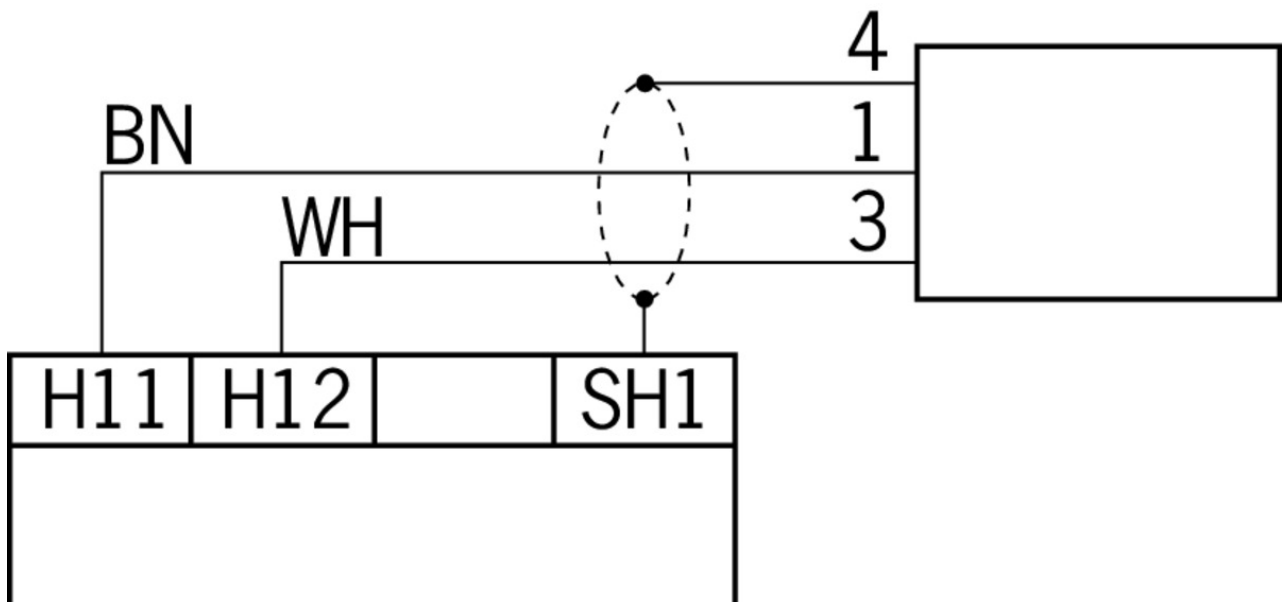
### Dimension drawing



### Legende

- 1 Active face
- 2 In the inserted state
- $s$  Read distance
- $m$  Center offset
- 1) Metal-free zone

### Terminal assignment



## Connection material

---

- ▼ Connection cable with plug connector M8, 5m



**077793** C-M08F03-02X025PV05,0-ES-077793

- ▼ Features

- › M8 female plug, 3-pin
  - › Straight plug connector
  - › PVC cable
  - › Cable length 5 m
  - › With flying lead
- 

- ▼ Connection cable with plug connector M8, 3-pin, 3m



**077935** C-M08F03-02X025PV03,0-ES-077935

- ▼ Features

- › M8 female plug, 3-pin
  - › Straight plug connector
  - › PVC cable
  - › Cable length 3 m
  - › With flying lead
- 

- ▼ Connection cable with plug connector M8, 3-pin, 10m



**077767** C-M08F03-02X025PV10,0-ES-077767

- ▼ Features

- › M8 female plug, 3-pin
  - › Straight plug connector
  - › PVC cable
  - › Cable length 10 m
  - › With flying lead
- 



**084763** C-M08F03-02X025PU10,0-ES-084763

- ▼ Features

- › M8 female plug, 3-pin
  - › Straight plug connector
  - › PUR cable
  - › Cable length 10 m
  - › With flying lead
- 

- ▼ Connection cable with plug connector M8, 3-pin, 20m



**077716** C-M08F03-02X025PV20,0-ES-077716

- ▼ Features

- › M8 female plug, 3-pin
  - › Straight plug connector
  - › PVC cable
  - › Cable length 20 m
  - › With flying lead
- 

**084765** C-M08F03-02X025PU20,0-ES-084765



- ✓ Features
    - › M8 female plug, 3-pin
    - › Straight plug connector
    - › PUR cable
    - › Cable length 20 m
    - › With flying lead
- 

✓ Connection cable with plug connector M8, 3-pin, 25m



**077717** C-M08F03-02X025PV25,0-ES-077717

- ✓ Features
    - › M8 female plug, 3-pin
    - › Straight plug connector
    - › PVC cable
    - › Cable length 25 m
    - › With flying lead
- 



**084766** C-M08F03-02X025PU25,0-ES-084766

- ✓ Features
    - › M8 female plug, 3-pin
    - › Straight plug connector
    - › PUR cable
    - › Cable length 25 m
    - › With flying lead
- 

✓ Connection cable with plug connector M8, 3-pin, 5m



**084762** C-M08F03-02X025PU05,0-ES-084762

- ✓ Features
    - › M8 female plug, 3-pin
    - › Straight plug connector
    - › PUR cable
    - › Cable length 5 m
    - › With flying lead
- 

✓ Connection cable with plug connector M8, 3-pin, 15m



**084764** C-M08F03-02X025PU15,0-ES-084764

- ✓ Features
    - › M8 female plug, 3-pin
    - › Straight plug connector
    - › PUR cable
    - › Cable length 15 m
    - › With flying lead
- 

✓ Connection cable with angled plug connector M8, 3-pin, 10m



**084701** C-M08F03-02X025PV10,0-ES-084701

- ✓ Features
  - › M8 female plug, 3-pin
  - › Angled plug connector
  - › PVC cable

- › Cable length 10 m
- › With flying lead



**098590** C-M08F03-02X025PU10,0-ES-098590

▣ Features

- › M8 female plug, 3-pin
- › Angled plug connector
- › PUR cable
- › Cable length 10 m
- › With flying lead

▣ Connection cable with angled plug connector M8, 3-pin, 25m, angled



**099998** C-M08F03-02X025PV25,0-ES-099998

▣ Features

- › M8 female plug, 3-pin
- › Angled plug connector
- › PVC cable
- › Cable length 25 m
- › With flying lead

## Actuator

▣ Actuator CES-A-BMB



**077791** CES-A-BMB

▣ Features

- › Cylindrical design M12 x 0.75

## Mounting accessories

▣ Insertion tool for actuator CES-A-BMB



**037662** EINDREHWERKZEUG

## Catalogs

▣ Transponder-coded safety systems with external evaluation

	Doc. no.	Version	Language	Download
Transpondercodierte Sicherheitssysteme mit externer Auswertung	127596	01-12/16		3.1 MB
Transponder-coded safety systems with external evaluation	127597	01-12/16		3.0 MB





Systemes de sécurité à codage par transpondeur avec analyse externe	137968	01-12/16		 3.0 MB
Sistemas de seguridad con codificación por transponder y evaluación externa	139969	01-12/16		 3.0 MB

### Application example





#### ▼ Connection of CES-FD to MURR MVK-MPNIO

	Doc. no.	Version	Language	Download
Anschluss CES-FD an MURR MVK-MPNIO	AP000177	03-03/15		 0.3 MB
Connection of CES-FD to MURR MVK-MPNIO	AP000177	03-03/15		 0.3 MB

#### ▼ Connection of CES-FD to Siemens ET 200pro

	Doc. no.	Version	Language	Download
Anschluss CES-FD an Siemens ET 200pro	AP000155	04-03/15		 0.3 MB
Connection of CES-FD to Siemens ET 200pro	AP000155	04-03/15		 0.3 MB

#### ▼ Connection of CES-FD-AP to Siemens ET 200S

	Doc. no.	Version	Language	Download
Anschluss CES-FD-AP an Siemens ET 200S	AP000154	03-03/15		 0.3 MB
Connection of CES-FD-AP to Siemens ET 200S	AP000154	03-03/15		 0.3 MB

### CAD data

CAD data for this item on TraceParts