



CONTACTOR, AC-3 30 KW/400 V, DC 220 V,
3-POLE, SIZE S3, SCREW CONNECTION

General details:

Product brand name		SIRIUS
product designation		power contactor
Size of the contactor		S3
Protection class IP / on the front		IP20
Degree of pollution		3
Installation altitude / at a height over sea level / maximum	m	2,000
Ambient temperature / during operating	°C	-25 ... 60
Active power loss / per conductor / typical	W	4.6
Item designation		
<ul style="list-style-type: none"> • according to DIN EN 61346-2 • according to DIN 40719 extendable after IEC 204-2 / according to IEC 750 		Q K
Mechanical operating cycles as operating time		
<ul style="list-style-type: none"> • of the contactor / typical • of the contactor with added auxiliary switch block / typical • of the contactor with added electronics-compatible auxiliary switch block / typical 		10,000,000 10,000,000 5,000,000

Main circuit:

Number of poles / for main current circuit		3
---	--	---

Number of NC contacts / for main contacts		0
Number of NO contacts / for main contacts		3
Operating current / at AC-1 / at 400 V / at 40 °C ambient temperature / rated value	A	100
Operating current / at AC-1 / at 400 V / at 60 °C ambient temperature / rated value	A	90
Operating current		
• at AC-3 / at 400 V / rated value	A	65
• with 1 current path		
• at DC-1		
• at 24 V / rated value	A	90
• at 110 V / rated value	A	4.5
• at DC-3 / at DC-5		
• at 24 V / rated value	A	40
• at 110 V / rated value	A	2.5
• with 2 current paths in series		
• at DC-1		
• at 24 V / rated value	A	90
• at 110 V / rated value	A	90
• at DC-3 / at DC-5		
• at 24 V / rated value	A	90
• at 110 V / rated value	A	90
• with 3 current paths in series		
• at DC-1		
• at 24 V / rated value	A	90
• at 110 V / rated value	A	90
• at DC-3 / at DC-5		
• at 24 V / rated value	A	90
• at 110 V / rated value	A	90
Service power		
• at AC-1 / at 400 V / rated value	kW	59
• at AC-2 / at 400 V / rated value	kW	30
• at AC-3		
• at 400 V / rated value	kW	30
• at 500 V / rated value	kW	37
• at 690 V / rated value	kW	45
Control circuit:		
Design of activation		conventional
Type of voltage / of the controlled supply voltage		DC
Control supply voltage / 1		

- for DC

- rated value

V

220

Auxiliary circuit:

Contact reliability / of the auxiliary contacts

1 faulty switching per 100 million (17 V, 1 mA)

Number of NC contacts / for auxiliary contacts

- instantaneous switching
- lagging switching

0

0

Number of NO contacts / for auxiliary contacts

- instantaneous switching
- leading switching

0

0

Operating current / of the auxiliary contacts

- at AC-12 / maximum
- at AC-15
 - at 230 V
 - at 400 V
- at DC-12
 - at 60 V
 - at 110 V
 - at 220 V
- at DC-13
 - at 24 V
 - at 60 V
 - at 110 V
 - at 220 V

A

10

A

6

A

3

A

6

A

3

A

1

A

10

A

2

A

1

A

0.3

Short-circuit:

Design of the fuse link

- for short-circuit protection of the auxiliary switch / required
- for short-circuit protection of the main circuit
 - with type of assignment 1 / required
 - at type of coordination 2 / required

fuse gL/gG: 10 A

fuse gL/gG: 250 A

fuse gL/gG: 125 A

Installation/mounting/dimensions:

Type of mounting

screw and snap-on mounting onto 35 mm and 75 mm standard mounting rail

series installation

Yes

Width

mm

70

Height

mm

146

Depth

mm

152

Distance, to be maintained, to earthed part / sideways

mm

6

Connection type:

Design of the electrical connection

- for main current circuit
- for auxiliary and control current circuit

screw-type terminals

screw-type terminals

Certificates/approvals:

General Product Approval

Functional Safety / Safety of Machinery



CQC



CSA

[KETI](#)

[ROSTEST](#)



UL

[SUVA](#)

Test Certificates

[Manufacturer](#)

Shipping Approval



ABS



BUREAU
VERITAS



GL



LRS



RINA



RMRS

other

[Manufacturer](#)

[other](#)

Further information:

Information- and Downloadcenter (Catalogs, Brochures,...)

<http://www.siemens.com/industrial-controls/catalogs>

Industry Mall (Online ordering system)

<http://www.siemens.com/industrial-controls/mall>

CAX-Online-Generator

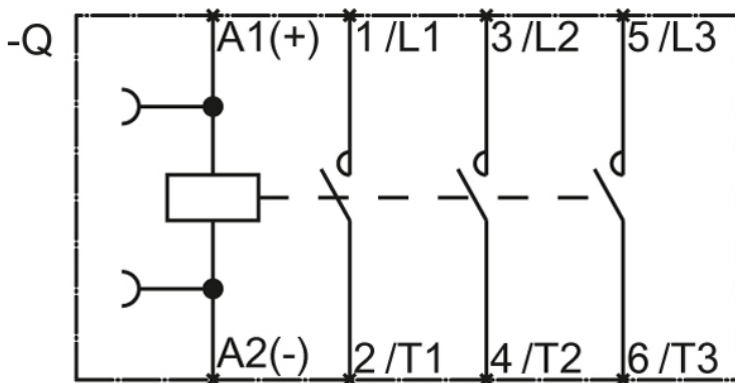
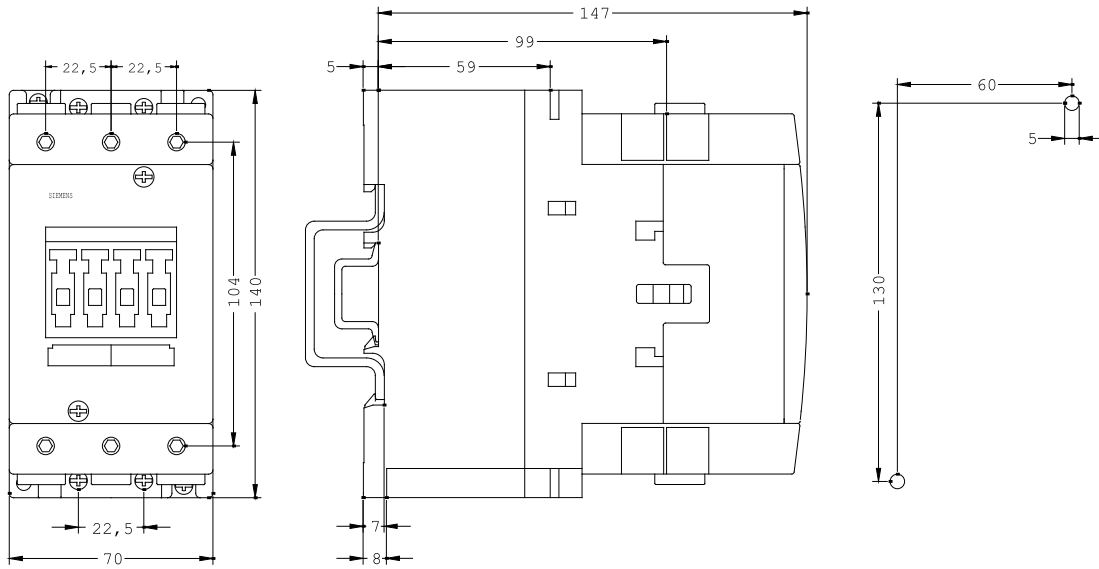
<http://www.siemens.com/cax>

Service&Support (Manuals, Certificates, Characteristics, FAQs,...)

<http://support.automation.siemens.com/WW/view/en/3RT1044-1BM40/all>

Image database (product images, 2D dimension drawings, 3D models, device circuit diagrams, ...)

http://www.automation.siemens.com/bilddb/cax_en.aspx?mlfb=3RT1044-1BM40



last change:

Sep 30, 2011