

STRIPAX PLUS 2.5**Weidmüller Interface GmbH & Co. KG**

Klingenbergstraße 26

D-32758 Detmold

Germany

www.weidmueller.com

**Cutting, stripping and crimping tools for connected wire-end ferrules strips**

- Cutting
- Stripping
- Crimping
- Automatic feeding of wire end ferrules
- Ratchet guarantees precise crimping
- Release option in the event of incorrect operation
- Efficient: only one tool needed for cable work, and thus significant time saved

General ordering data

Version	Cutting, stripping and crimping tool, Crimping tool for wire-end ferrules, 0.5mm ² , 2.5mm ² , Trapezoidal crimp
Order No.	9020000000
Type	STRIPAX PLUS 2.5
GTIN (EAN)	4008190067267
Qty.	1 pc(s).

Creation date March 24, 2022 9:34:44 AM CET

Catalogue status 11.03.2022 / We reserve the right to make technical changes.

STRIPAX PLUS 2.5

Weidmüller Interface GmbH & Co. KG
 Klingenbergstraße 26
 D-32758 Detmold
 Germany

www.weidmueller.com

Technical data**Dimensions and weights**

Width	210 mm	Width (inches)	8.268 inch
Weight	260 g	Net weight	250.91 g

Environmental Product Compliance

REACH SVHC Lead 7439-92-1

Technical data

Description of article	(1)Crimping tool	Version	Mechanical, without interchangeable inserts
------------------------	------------------	---------	---

Description of contact

Conductor cross-section, max. AWG	AWG 14	Conductor cross-section, min. AWG	AWG 20
Crimping range, max.	2.5 mm ²	Crimping range, min.	0.5 mm ²
Type of contact	Strips of linked wire-end ferrules		

tool data crimping

Crimping profile 1, max.	0.75 mm ²	Crimping profile 1, min.	0.5 mm ²
Crimping profile 2, max.	1.5 mm ²	Crimping profile 2, min.	1 mm ²
Crimping profile 3, min.	2.5 mm ²	Crimping type/profile	Trapezoidal crimp
Wire end ferrules cross-section, max.	2.5 mm ²	Wire end ferrules cross-section, min.	0.5 mm ²

Classifications

ETIM 6.0	EC002109	ETIM 7.0	EC002109
ETIM 8.0	EC002109	ECLASS 9.0	21-04-37-06
ECLASS 9.1	21-04-37-06	ECLASS 10.0	21-04-37-06
ECLASS 11.0	21-04-37-06		

Approvals

Approvals

**Downloads**

Engineering Data	CAD data – STEP
Engineering Data	WSCAD
User Documentation	Manual
Catalogues	Catalogues in PDF-format
Brochures	

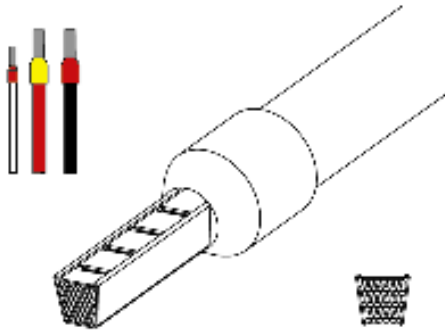
STRIPAX PLUS 2.5

Weidmüller Interface GmbH & Co. KG
Klingenbergstraße 26
D-32758 Detmold
Germany

www.weidmueller.com

Drawings

Example of use



Example of use



Example of use

