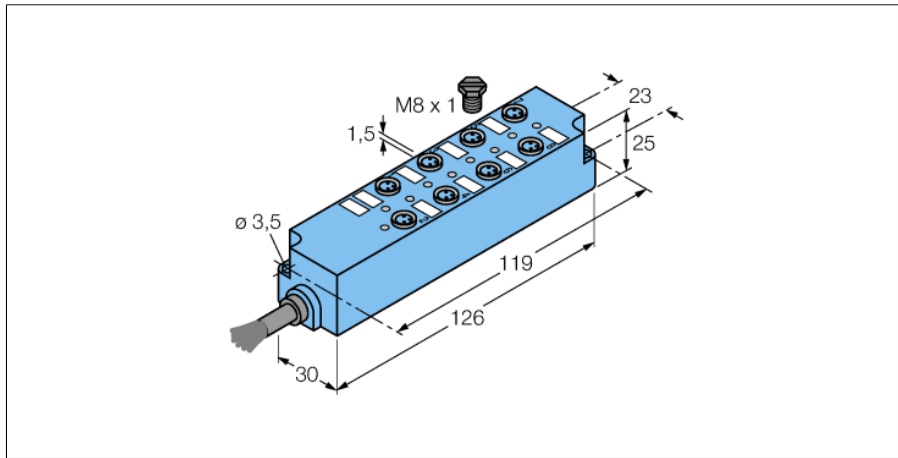
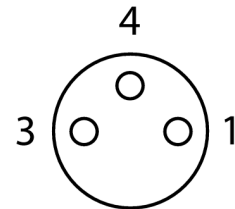


**actuator/sensor junction systems, M8 x 1/Ø 8mm
8-port box, M8 x 1, with integral cable
8MBM8-3P2-2/S1117**



- robust, fully encapsulated actuator/sensor box
- degree of protection IP67
- double-row design for optimum handling
- also available with different cable lengths and of different materials
- PNP circuitry
- PUR cable
- PVC and halogen-free
- for demanding and high-flex applications

Wiring Diagram



Type designation	8MBM8-3P2-2/S1117
Ident no.	8018113
Y-Splitter	8-port, with integral homerun cable
Housing	Plastic, PA 6 GF, blue
Switching function	pnp
I/O port	M8 x 1
Number of pins	3
Operating voltage	LED green
Display switch state	LED yellow
Mechanical lifespan	> 100 Mating cycles
Pollution degree	3
Connector B	Female
Contacts	Metal, CuZn, Gold-plated
Contact carriers	Plastic, PA 6 GF, Blue
Seal	plastic, FPM/FKM
Cable	S1117, Lif12YH-11YH
Cable diameter	7.1mm
Cable length	2 m
Cable jacket	PUR, BK
Conductor insulation	TPE
Conductor colors	WH, GN, YE, GY, PK, RD, BK, VT BU, BN
Core cross-section	8x0.25mm ²
Arrangement of strands	32x0.1mm
Core cross-section	2x0.5mm ²
Litz wire arrangement	64x0.1mm
Ampacity	2 A per signal contact, total current 6 A
Insulation resistance	≥ 10 ⁹ Ω
Forward resistance	≤ 5 mΩ
Bending radius (flexible use)	> 10 x Ø

Cable quality S1117

Flexible PVC and halogen-free control cable with PUR jacket and polypropylene conductor insulation. The temperature resistance ranges from 40°C up to +90°C. Oil resistance and flame retardance according to VDE 0472 are fulfilled. This cable is suited for flexible use in robot technology, tooling machines and in machining applications.

