

Features

- Choice of five flash rates: 1 Hz, 1.5 Hz, 2 Hz, double and triple flash
- Duplicate cable terminations for daisy-chain installations
- Glass lens and stainless steel guard
- High and low power steady modes
- Ratchet adjustable stainless steel 'U' bracket

Assembly**Technical data****Electrical specifications**

Operating voltage 240 V AC , 115 V AC , 24 V DC , further on request

Terminal capacity 0.5 ... 2.5 mm²

Line monitoring blocking diode included

Function flashing beacon

Lens color red , amber , blue , green , further on request

Flash mode flash rate: 1 Hz / 1.5 Hz / 2 Hz
double strike / triple strike flash
steady light high power / low power

Effective luminous intensity 87 cd @ steady light high power
160 cd @ 1 Hz flash

Illuminant, type array of 4x high-intensity Cree® LED

Illuminant, life 60000 hours

Mechanical specifications

Degree of protection IP66 acc. to EN 60529
IP64 acc. to EN 60079-0
type rating per UL50E/NEMA2 50: 4/4X/13

Cable entry face B

M20 quantity 2

M20 type metric ISO pitch 1.5 mm

M20 info Stopping Plug 1x plastic

Material

Enclosure PPS and fiber reinforced ABS, UL94-V0 and 5VA

Glass Borosilicate glass

Finish inherent color black

Mounting bracket stainless steel 1.4301 / AISI 304

Mass 1.48 kg

Dimensions

Release date 2019-06-12 13:57 Date of issue 2019-06-12 t191132_eng.xml

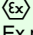
Refer to "General Notes Relating to Pepperl+Fuchs Product Information".

Pepperl+Fuchs Group
www.pepperl-fuchs.com

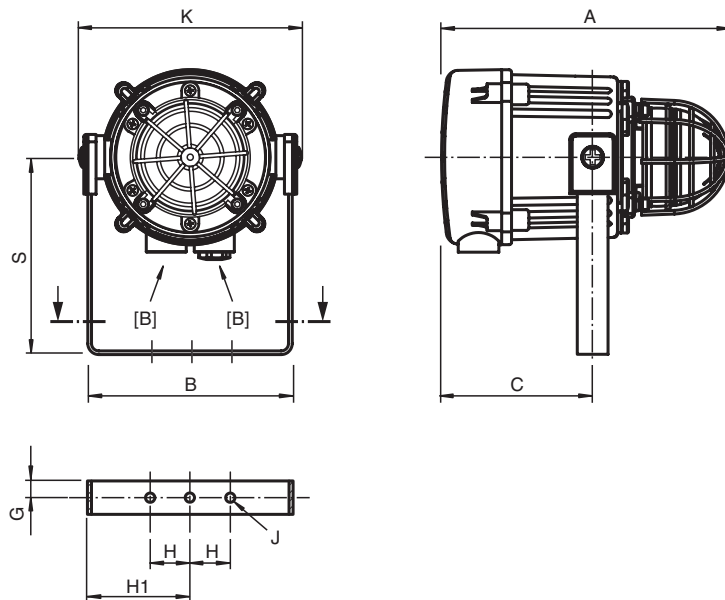
USA: +1 330 486 0002
pa-info@us.pepperl-fuchs.com

Germany: +49 621 776 2222
pa-info@de.pepperl-fuchs.com

Singapore: +65 6779 9091
pa-info@sg.pepperl-fuchs.com

External dimension (A)	233 mm
External dimension (B)	166 mm
External dimension (C)	123 mm
Mounting holes distance (G)	12.5 mm
Mounting holes distance (H)	30 mm
Mounting holes distance (H1)	76.8 mm
Mounting holes diameter (J)	7 mm
Depth mounting frame (S)	160 mm
Maximum external dimension (K)	170.6 mm
Ambient conditions	
Ambient temperature	-20 ... 55 °C (-4 ... 131 °F)
Storage temperature	-40 ... 70 °C (-40 ... 158 °F)
Data for application in connection with hazardous areas	
EU-type examination certificate	DEMKO 06 ATEX 0421554X
Marking	 II 3 GD Ex nA IIC T* Gc , T4 @ Ta +55 °C Ex tc IIIC T** Dc , T85 °C @ Ta +55 °C
International approvals	
UL approval	
cULus	E245313
IECEX approval	IECEX ULD 14.0012X
Conformity	
Degree of protection	EN 60529
General information	
Scope of delivery	device , 1 Stopping Plug , Instruction leaflet
Supplementary information	EC-Type Examination Certificate, Statement of Conformity, Declaration of Conformity, Attestation of Conformity and instructions have to be observed where applicable. For information see www.pepperl-fuchs.com .

Dimensions



Legend

A	Height
B	Width
C	Depth
G	Mounting holes distance
H	Mounting holes distance
H1	Mounting holes distance from edge of bracket
J	Mounting holes diameter

Release date 2019-06-12 13:57 Date of issue 2019-06-12 t191132_eng.xml

Refer to "General Notes Relating to Pepperl+Fuchs Product Information".

Pepperl+Fuchs Group
www.pepperl-fuchs.com

USA: +1 330 486 0002
pa-info@us.pepperl-fuchs.com

Germany: +49 621 776 2222
pa-info@de.pepperl-fuchs.com

Singapore: +65 6779 9091
pa-info@sg.pepperl-fuchs.com

K	Maximum outer dimension with bracket
K1	Maximum outer dimension with horn
S	Depth of mounting bracket
[A] ... [B]	Cable entry faces

Dimension values see technical data table.

Image and drawing are generic for this device type and may deviate from the specific variant.