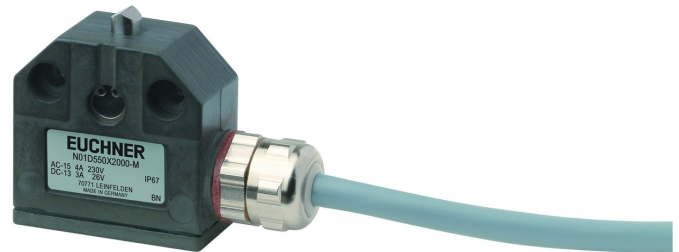


## N01D550X5000-M (ORDER NO. 088978)

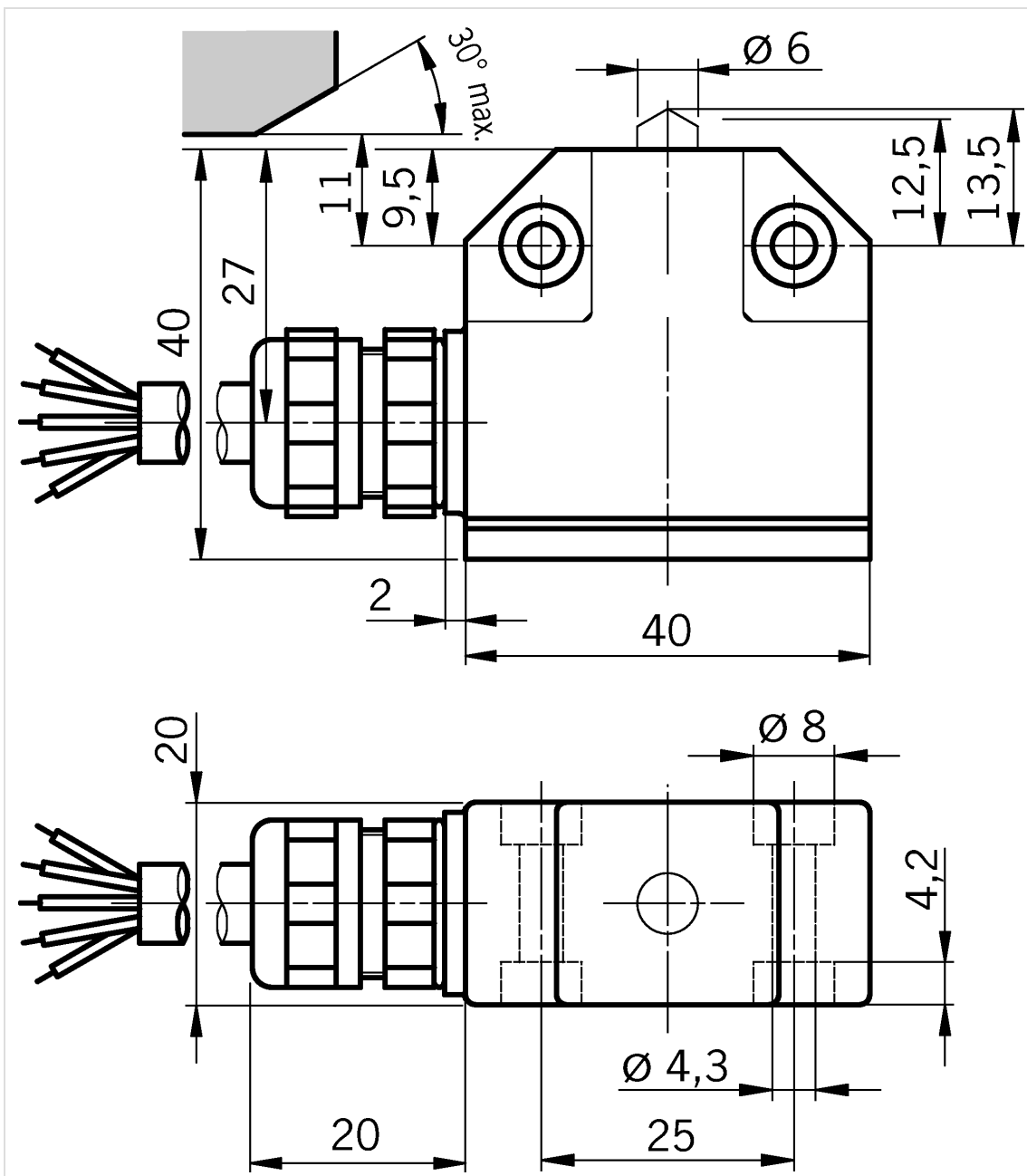
Precision single limit switch N01, chisel plunger, connecting cable

- ▶ Plunger material stainless steel

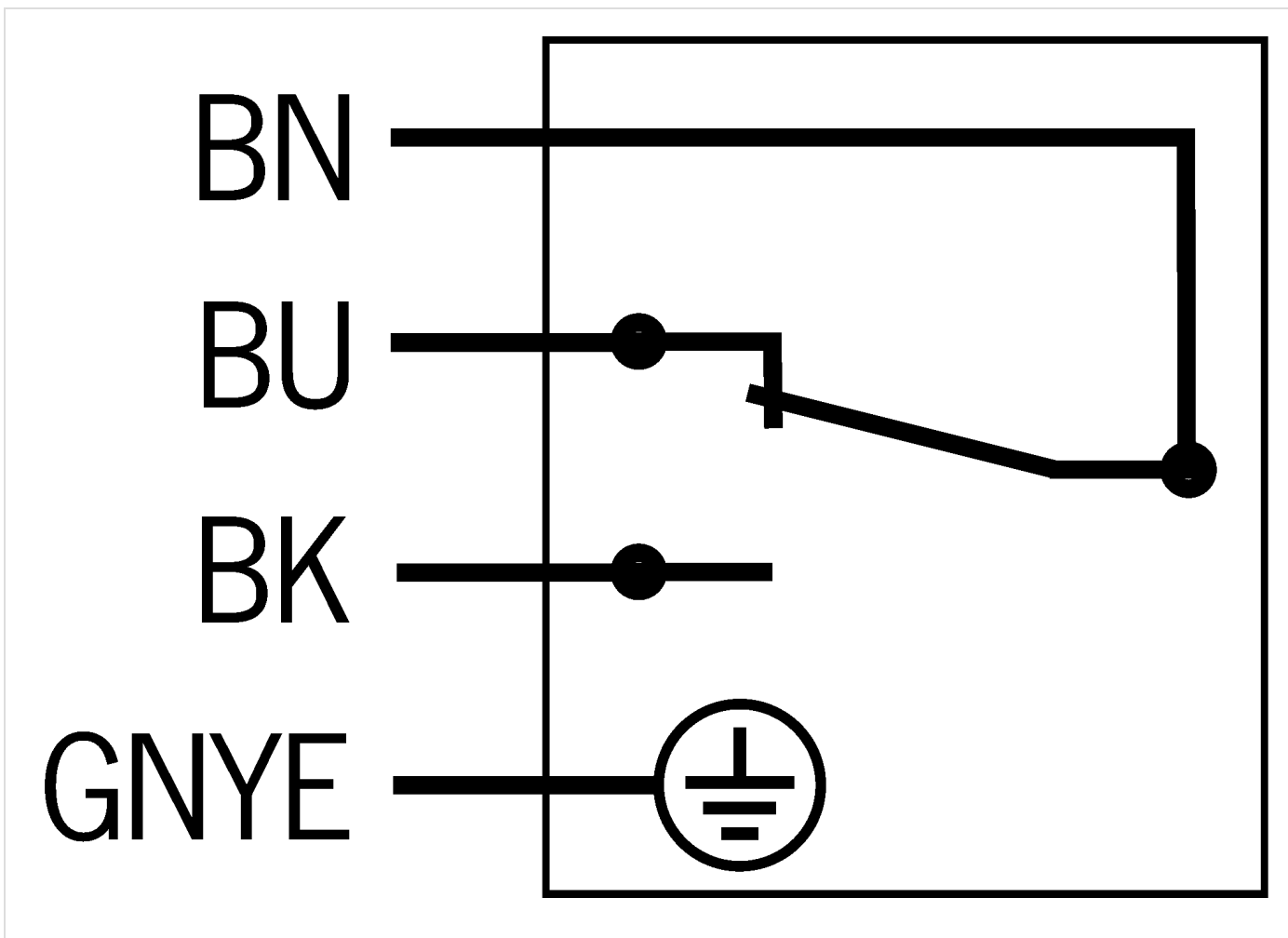


Description

Dimension drawings



Connection examples



## Technical data

### Approvals



### Electrical connection ratings

Connection cross-section

4x 0.5 mm<sup>2</sup>

Rated impulse withstand voltage  $U_{imp}$

2.5 kV

Rated insulation voltage  $U_i$

250 V

Short circuit protection according to IEC 60269-1

6A gG

Switching current

min. at DC 24V 10 mA

thermal rated current  $I_{th}$

6 A

Utilization category


DC-13 2A 24V


AC-15 2A 230V


### Mechanical values and environment


Actuating element	Chisel plunger
Actuating force	15 ... 20 N
Ambient temperature	-5 ... +80 °C
Approach speed	0.01 ... 20 m/min
Connection	1 x Cable (4-pin)
Degree of protection	IP67
Installation orientation	any
Material	Housing Anodized die-cast alloy Contact Silver alloy, gold flashed
Mechanical life	10 x 10 <sup>6</sup>
Number of door position NC contacts	1 Changeover contact
Number of door position NO contacts	1 (Changeover contact)
Switching principle	Changeover contact with snap-action function
<b>Miscellaneous</b>	
Additional feature	Connecting cable, 5 m

## Contacts

 EUCHNER GmbH + Co. KG  
 Kohlhammerstraße 16  
 70771 Leinfelden-Echterdingen

 +49 711 7597-0

 +49 711 753316

 info(at)euchner.de