

Panel mounting frame set - CUC-V06-F1PGY-UBA/UBBB - 1411904

Please be informed that the data shown in this PDF Document is generated from our Online Catalog. Please find the complete data in the user's documentation. Our General Terms of Use for Downloads are valid (<http://phoenixcontact.com/download>)




USB socket insert, 4-pos., USB socket type A to USB socket type B, socket type A to panel mounting frame side, for the Freenet system in the panel mounting frame, IP20 terminal outlet, 19" patch panel, and service interface

Your advantages

- IP67 protection class
- Easy mounting



Key Commercial Data

Packing unit	1 pc
GTIN	 4 046356 945011
GTIN	4046356945011
Weight per Piece (excluding packing)	33.730 g
Custom tariff number	85366990
Country of origin	Germany

Technical data

Ambient conditions

Ambient temperature (operation)	-15 °C ... 65 °C
---------------------------------	------------------

General data

Number of positions	4
Rated voltage (III/3)	30 V
Connection method	Socket, type A
Contact material	Copper alloy
Contact carrier material	Thermoplastic
Contact surface material	Gold over nickel
Housing material	PC

Standards and Regulations

Panel mounting frame set - CUC-V06-F1PGY-UBA/UBBB - 1411904

Technical data

Standards and Regulations

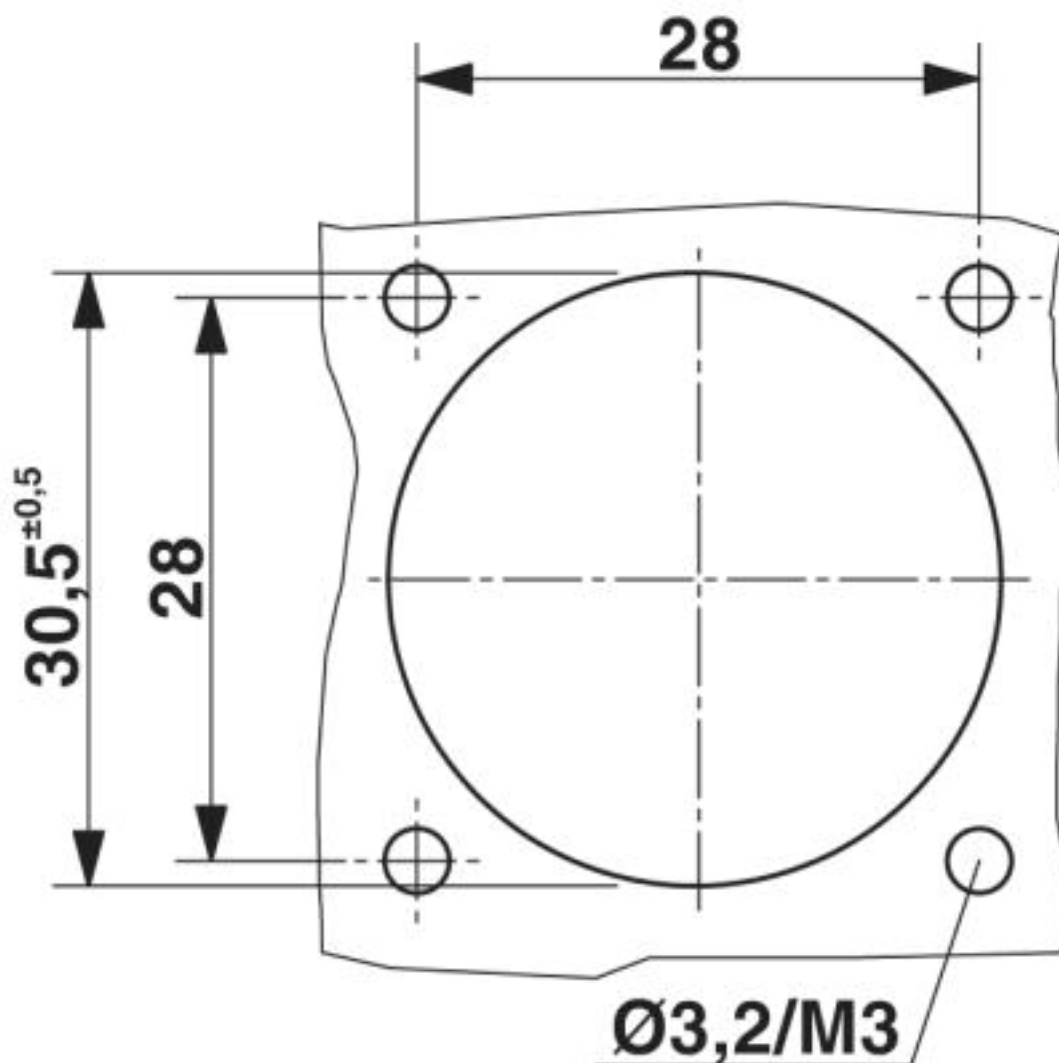
Flammability rating according to UL 94	V0
--	----

Environmental Product Compliance

China RoHS	Environmentally friendly use period: unlimited = EFUP-e
	No hazardous substances above threshold values

Drawings

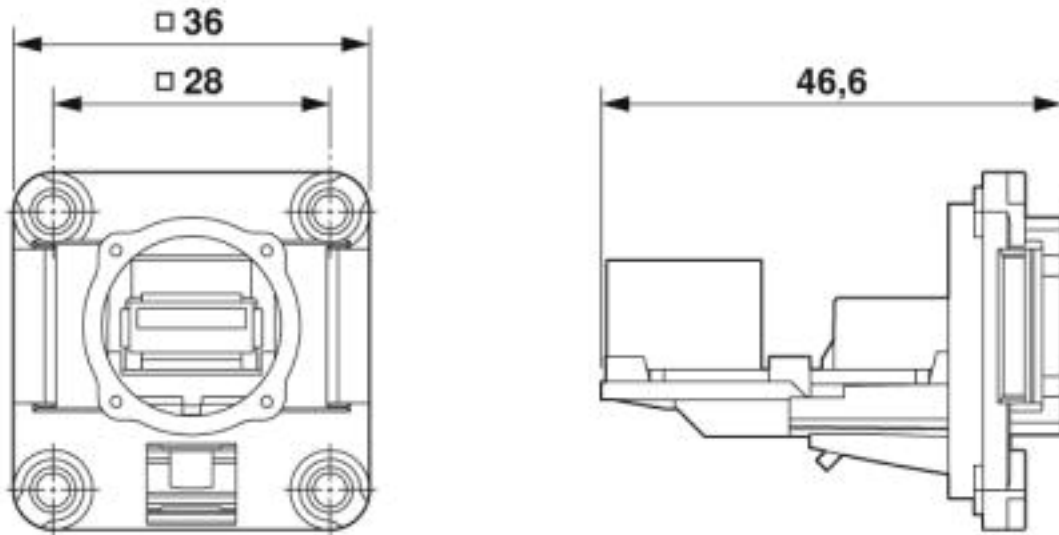
Dimensional drawing



Mounting cutout

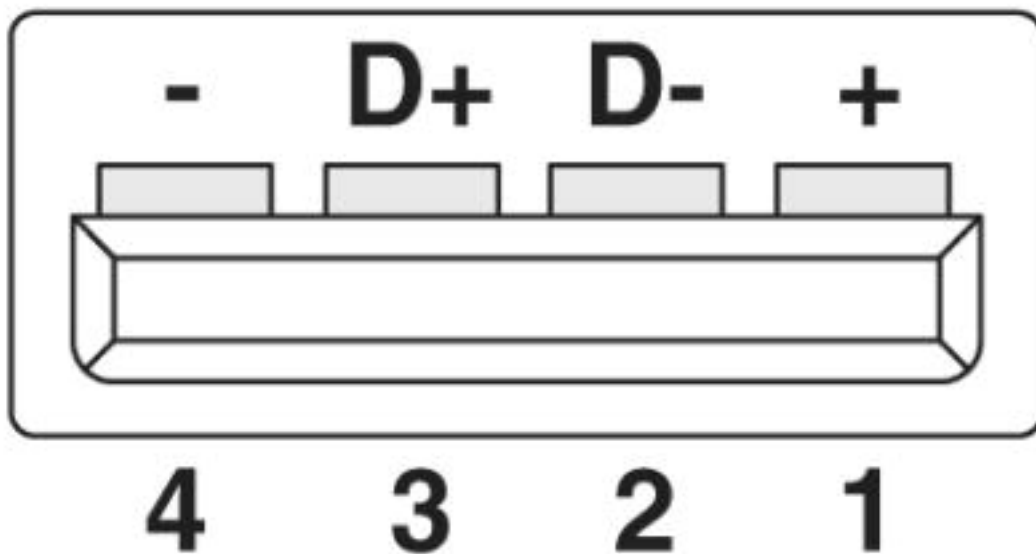
Panel mounting frame set - CUC-V06-F1PGY-UBA/UBBB - 1411904

Dimensional drawing



Dimensional drawing

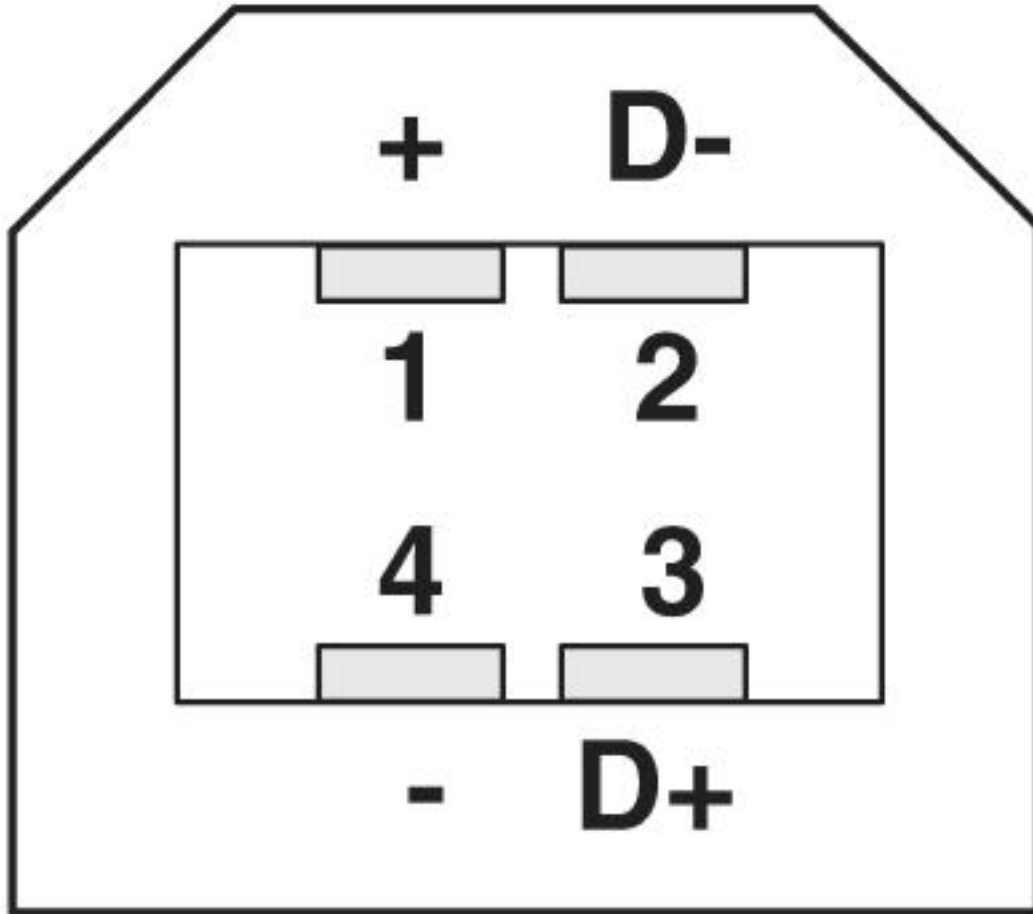
Schematic diagram



Pin assignment socket USB, type A

Panel mounting frame set - CUC-V06-F1PGY-UBA/UBBB - 1411904

Schematic diagram



Pin assignment socket USB, type B

Classifications

eCl@ss

eCl@ss 10.0.1	27440390
eCl@ss 5.0	24210100
eCl@ss 5.1	24210100
eCl@ss 6.0	19150700
eCl@ss 7.0	27440390
eCl@ss 8.0	27440390
eCl@ss 9.0	27440390

ETIM

ETIM 4.0	EC001121
ETIM 5.0	EC001121
ETIM 6.0	EC001121

Panel mounting frame set - CUC-V06-F1PGY-UBA/UBBB - 1411904

Classifications

ETIM

ETIM 7.0	EC001121
----------	----------

UNSPSC

UNSPSC 13.2	39121409
-------------	----------

Approvals

Approvals

Approvals

EAC

Ex Approvals

Approval details

EAC		B.01742
-----	--	---------

Accessories

Accessories

Data cable preassembled

Patch cable - VS-04-2X2X26C7/7-67A/OE/1,0 - 1655742



Assembled USB cable, shielded, color: RAL 5021 (water blue), PUR outer sheath, USB type A/IP67 on open cable end, length: 1 m

Patch cable - VS-04-2X2X26C7/7-67A/OE/2,0 - 1655755



Assembled USB cable, shielded, color: RAL 5021 (water blue), PUR outer sheath, USB type A/IP67 on open cable end, length: 2 m

Panel mounting frame set - CUC-V06-F1PGY-UBA/UBBB - 1411904

Accessories

Patch cable - VS-04-2X2X26C7/7-67A/OE/5,0 - 1655768



Assembled USB cable, shielded, color: RAL 5021 (water blue), PUR outer sheath, USB type A/IP67 on open cable end, length: 5 m

Patch cable - VS-04-2X2X26C7/7-67A/SDB/5,0 - 1653906



Assembled USB cable, shielded, color: RAL 5021 (water blue), PUR outer sheath, USB type A/IP67 on USB type B/standard, length: 5 m

Patch cable - VS-04-2X2X26C7/7-67A/67B/2,0 - 1653870



Assembled USB cable, shielded, color: RAL 5021 (water blue), PUR outer sheath, USB type A/IP67 on USB type B/IP67, length: 2 m

Patch cable - VS-04-2X2X26C7/7-67A/67B/5,0 - 1653883



Assembled USB cable, shielded, color: RAL 5021 (water blue), PUR outer sheath, USB type A/IP67 on USB type B/IP67, length: 5 m
