

ITEM 086293 N10D-M

Description	Technical data	Accessories	Downloads
-------------	----------------	-------------	-----------



Features

- › Plunger material stainless steel

Mechanical values and environment

Housing material	Anodized die-cast alloy
Weight	Net 0,2 kg
Ambient temperature	-5 ... 80 °C
Degree of protection	IP67
Mechanical life	30 x 10 ⁶
Contact material	Silver alloy, gold flashed
Switching principle	Snap-action switching contact
Installation position	Any
Number of door position NC contacts	1
Number of door position NO contacts	1
Connection	

	3 x	M20 x 1.5
Approach speed		
	max.	0,01 ... 40 m/min
Actuating element		Chisel plunger
Actuating force		min.20 N

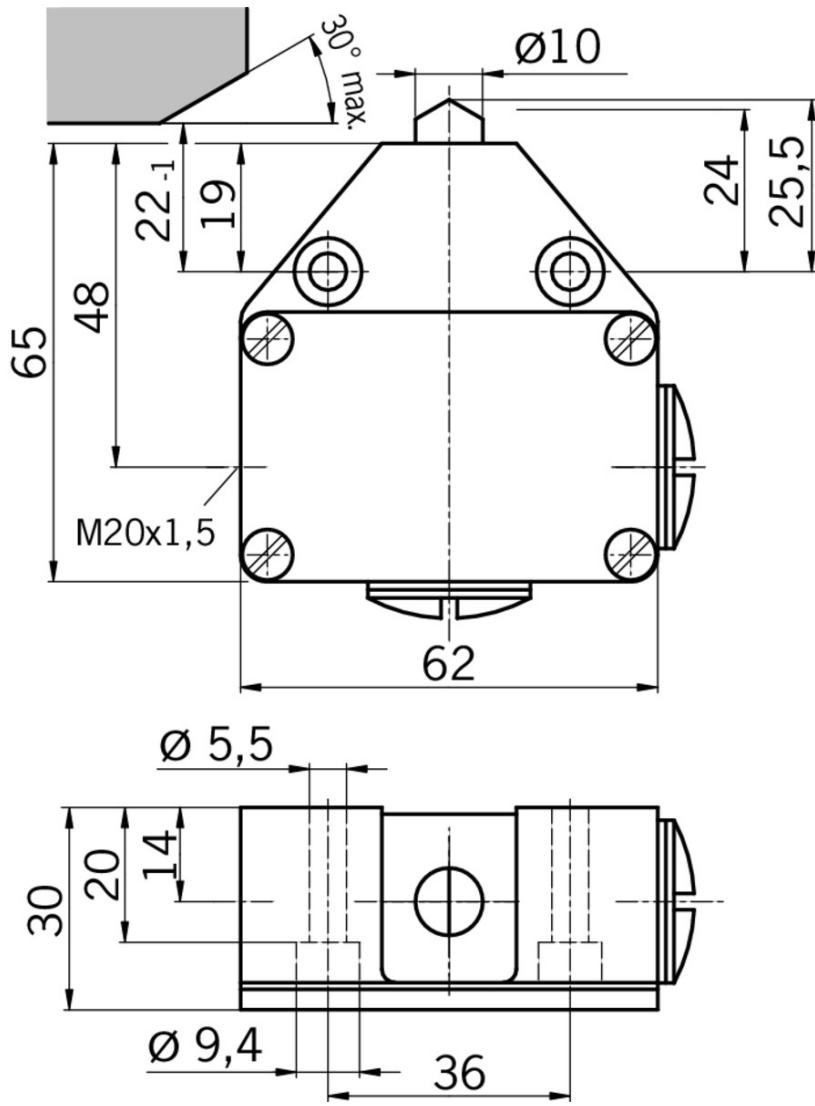
Electrical connection ratings

rated thermal current I_{th}		10 A
Utilization category according to EN 60947-5-1		
	AC-15	10A 230V
	DC-13	6A 24V
	AC-12	16A 230V
Short circuit protection according to IEC 60269-1		
	(Fuse)	16A gG
Rated insulation voltage U_i		250 V
Rated impulse withstand voltage U_{imp}		2,5 kV
Switching current		
	Min. at DC 24V	20 mA
Connection cross-section		0,34 ... 1,5 mm ²

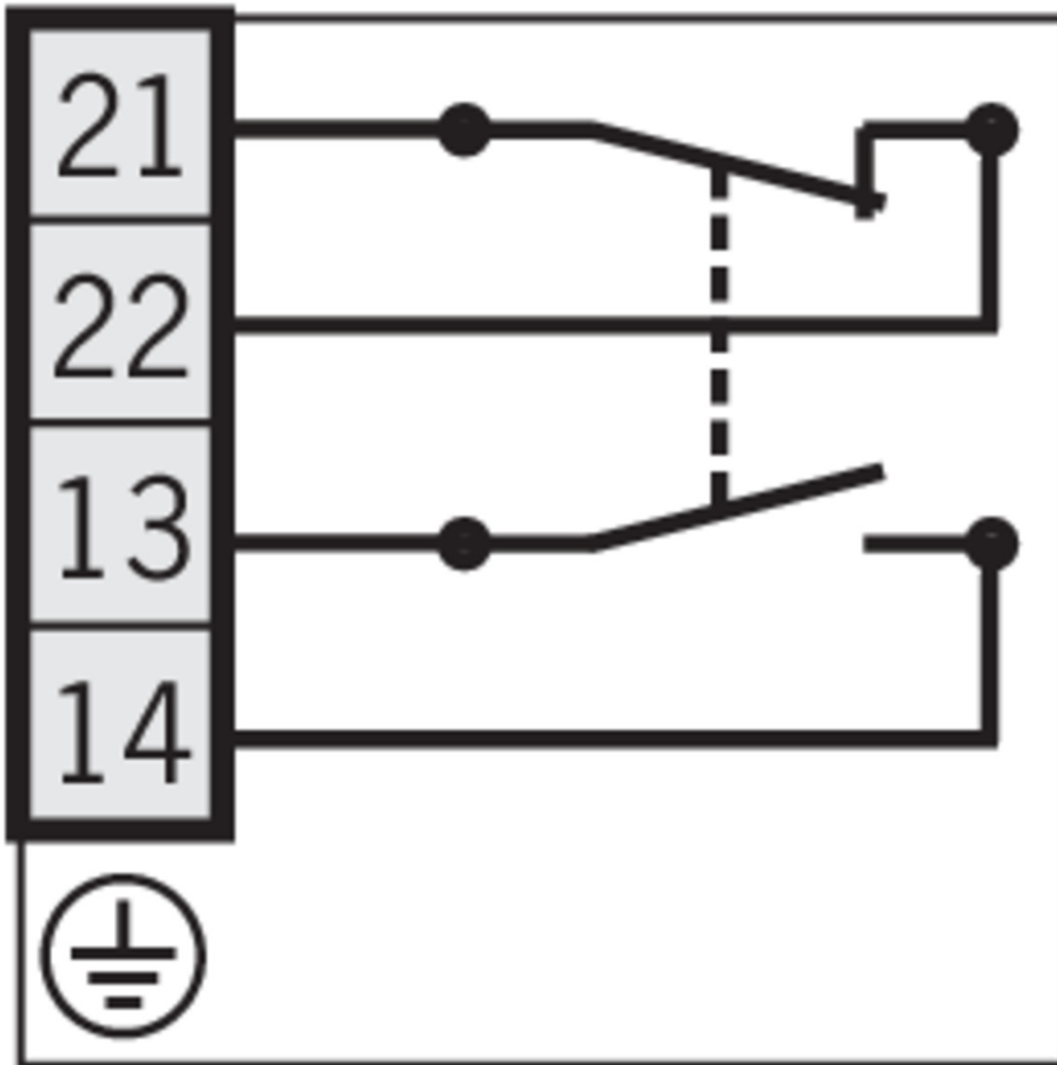
Reliability values according to EN ISO 13849-1

B10 _D		20 x 10 ⁶
------------------	--	----------------------

Dimension drawing



ES502V



Catalogs

Position Switches

	Doc. no.	Version	Language	Download
Positionsschalter	094549	11-01/17		1.8 MB
Position Switches	094550	11-01/17		1.8 MB
Interrupteurs de position	111607	11-01/17		1.8 MB

CAD data

CAD data for this item on TraceParts