

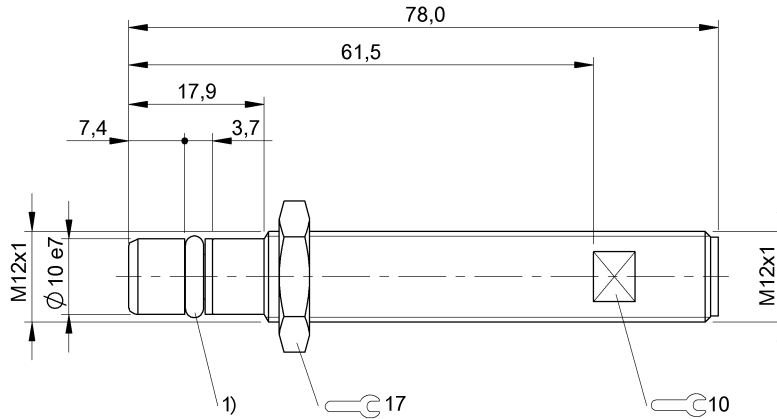
**BES 516-300-S321-NEX-S4-D**  
**Order code: BHS004M**

Inductive sensor

M12x1 x 78,0 mm

DC, direct current  
 PNP / Normally open (NO)  
 Sn = 1,50 mm  
 Flush (shielded)  
 oilpressure-rated to 350 bar

**BALLUFF**  
 sensors worldwide



1) O-ring with support ring

**Sensing data**

Eff. operating distance Sr	1,50 mm
Tolerance Sr	±10 %
Assured operating distance Sa	1,20 mm
Hysteresis H max. (in % of Sr)	15,0 %
Repeat accur. R max. (% of Sr)	5,0 %
Ambient temperature Ta min.	-25 °C
Ambient temperature Ta max.	80 °C
Temp. drift max. (% of Sr)	10%
Switching freq. f max. (at Ue)	1.000 Hz
Ready delay tv max.	10 ms
Utilization category	DC 13
Function indicator	No
Power indicator	No

**Electrical data**

Eff. operating voltage Ue DC	24,0 V
Operating voltage UB min. DC	10,0 V
Operating voltage UB max. DC	30,0 V
Ripple max. (% of Ue)	15 %
Voltage drop static max.	1,5 V
Rated insulation voltage Ui	75 DC
Eff. operating current Ie	200 mA
No-load current Io damped max.	10,0 mA
Max. no-load cur. Io undamped	1,0 mA
Off-state current Ir max.	10 µA
Short circuit protected	Yes
Protected against miswiring	Yes
Polarity reversal protected	Yes
Rated short circuit current	100 A
Output resistance Ra	33.0k + D
Load capacitance max. (at Ue)	0,500 µF

**Mechanical data**

Housing material	1.4104 Stainless steel
Tightening torque	15 Nm ±10%
Sensing face material	EP
Mounting length	43,6 mm
Mounting hi-pressure switches	M12x1
Size of sealing ring	5.85 x 2.4
Sealing ring material	FPM 70
Part number sealing ring	636594
Thrust ring material	PTFE
Part number thrust ring	705918
Connection type	Connector
Connector type	M12x1-S04
Enclosure Type per IEC 60529	IP68 according to BWN PR 20
Shock rating	Shock, half-sinus, 30 gn, 11ms
Vibration rating	55 Hz, 1 mm ampl., 3x30 min
Degree of contamination	3

**Approval**

Approvals / Conformity	CE
Explosion proofness	Ex II 3 G Ex nA II T4 / Ta: -25 °C to 80 °C

**Remarks**

ATTENTION: The connection may only be made using an M12 plug connection that is in compliance with the currently applicable standards - EN 60079-0/-14/-15 for II 3 G Ex nA.

The operating manual document number 863218 must be followed.

Basic standard	IEC 60947-5-2
	EN 60 079-0: 2006
	EN 60 079-15: 2005

000000112840/156448/20110228

**BES 516-300-S321-NEX-S4-D**

**Order code: BHS004M**

Inductive sensor

M12x1 x 78,0 mm

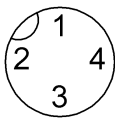
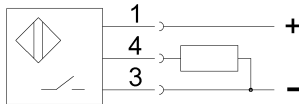
DC, direct current  
PNP / Normally open (NO)  
Sn = 1,50 mm  
Flush (shielded)  
oilpressure-rated to 350 bar

**BALLUFF**  
*sensors worldwide*



Definitions see general catalog

Subject to change without notice.



000000112840/156448/20110228