



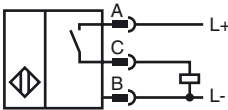
Model Number

NBB8-18GM50-E2-M-Y257915

Features

- 8 mm flush
- Increased operating distance
- Extended temperature range - 40 ... +85 °C
- e1-Type approval
- Increased noise immunity 100 V/m

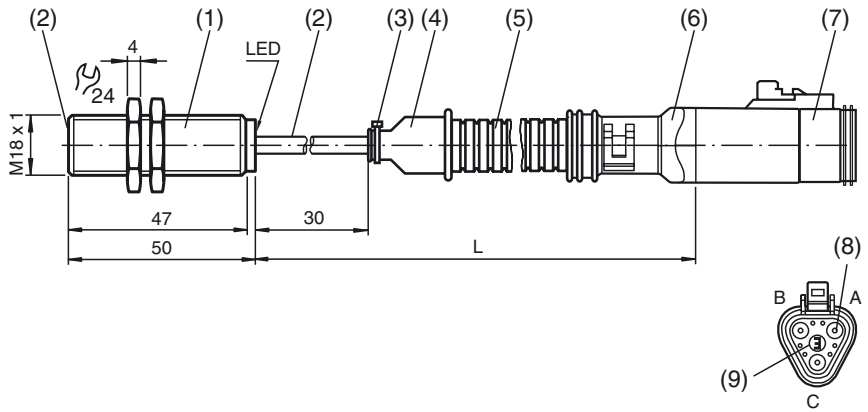
Connection



Accessories

- BF 18**
Mounting flange, 18 mm
- EXG-18**
Quick mounting bracket with dead stop

Dimensions



Technical Data

General specifications

Switching element function		PNP	NO
Rated operating distance	s_n	8 mm	
Installation		flush	
Output polarity		DC	
Assured operating distance	s_a	0 ... 6.48 mm	
Reduction factor r_{Al}		0.45	
Reduction factor r_{Cu}		0.4	
Reduction factor r_{304}		0.7	

Nominal ratings

Operating voltage	U_B	10 ... 30 V
Switching frequency	f	0 ... 400 Hz
Hysteresis	H	typ. 5 %
Reverse polarity protection		reverse polarity protected
Short-circuit protection		pulsing
Voltage drop	U_d	≤ 2.5 V
Operating current	I_L	0 ... 200 mA
Off-state current	I_r	0 ... 0.5 mA typ. 0.1 μ A at 25 °C
No-load supply current	I_0	≤ 10 mA
Time delay before availability	t_v	≤ 20 ms
Switching state indication		all direction LED, yellow

Functional safety related parameters

MTTF _d	1630 a
Mission Time (T_M)	20 a
Diagnostic Coverage (DC)	0 %

Ambient conditions

Ambient temperature	-40 ... 85 °C (-40 ... 185 °F)
---------------------	--------------------------------

Mechanical specifications

Connection type	Cable connector Deutsch with PUR cable L = 335 mm \pm 10 mm
Connection assembly	(1) sensor (2) Identification Number (3) Cable clip (4) Schlemmer rubber bushing, 8500495 (5) Schlemmer corrugated tube 120010 (6) Deutsch backshell: 1011-259-0305 (7) Deutsch housing: DT06-3S-C015 (8) Deutsch contact: 1062-16-0622 (9) Deutsch wedge: W3S
Core cross-section	0.75 mm ²
Housing material	brass, nickel-plated
Sensing face	PBT
Protection degree	IP68 / IP69K

Compliance with standards and directives

Standard conformity	
Standards	EN 60947-5-2:2007 IEC 60947-5-2:2007

Approvals and certificates

UL approval	cULus Listed, General Purpose
CSA approval	cCSAus Listed, General Purpose
CCC approval	CCC approval / marking not required for products rated ≤ 36 V
e1 Type approval	2006/28/EG

Release date: 2013-06-17 16:51 Date of issue: 2013-06-17 257915_eng.xml

Installation hint

Emitted interference and interference immunity in accordance with motor vehicle directive 2006/28/EG (e1 Type approval)
 Interference immunity in accordance with DIN ISO 11452-2: 100 V/m
 Frequency band 20 MHz up to 2 GHz

Mains-borne interference in accordance with ISO 7637-2: Pulse

	1	2a	2b	3a	3b	4	5
Severity level	III	III	III	III	III	III	IV
Failure criterion	C	A	C	A	A	A	C

EN 61000-4-2:	CD: 8 kV / AD: 15 kV
Severity level	IV IV
EN 61000-4-3:	30 V/m (80...2500 MHz)
Severity level	IV
EN 61000-4-4:	2 kV
Severity level	III
EN 61000-4-6:	10 V (0.01...80 MHz)
Severity level	III
EN 55011:	Class A

Release date: 2013-06-17 16:51 Date of issue: 2013-06-17 257915_eng.xml