



Price* : 798.00 USD



Main

Range of product	Lexium SD3
Product or component type	Motion stepper drive
Device short name	SD326
Supply voltage limits	100...120 V 200...240 V

Complementary

Format of the drive	Block
Phase	Single phase
[Us] rated supply voltage	100...120 V (- 15...10 %) 200...230 V (- 15...10 %)
Supply voltage type	AC/DC
Network frequency limits	50...60 Hz (- 15...10 %)
Communication interface	Integrated pulse/direction
Motor phase current	≤ 6.8 A
Nominal power	280 W at 115 V 420 W at 230 V
Short-circuit current	0.5 kA
Associated fuse rating	10 A at 115 V 6 A at 230 V
Overvoltage category	III
Inrush current	< 60 A
Leakage current	< 30 mA conforming to IEC 60990-3
Voltage state 0 guaranteed	≤ 5 V (24 V optocoupler input signals) ≤ 0.5 V (5 V optocoupler input signals)
Voltage state 1 guaranteed	15...30 V (24 V optocoupler input signals) 2.5...5.25 V (5 V optocoupler input signals)
Input current	≤ 25 mA (5 V optocoupler input signals)

	<= 7 mA (24 V optocoupler input signals)
Input frequency	<= 200 kHz, 24 V optocoupler input signals <= 200 kHz, 5 V optocoupler input signals
Maximum switching voltage	30 V DC (readiness signal output)
Maximum switching current	200 mA (readiness signal output)
Voltage drop	1 V, 50 mA load (readiness signal output)
Type of cooling	Fan
Maximum mechanical speed	3000 rpm
Height	5.71 in (145 mm)
Width	2.83 in (72 mm)
Depth	5.51 in (140 mm)
Shock resistance	15 gn 11 ms conforming to EN/IEC 60068-2-27
Product weight	2.65 lb(US) (1.2 kg)

Environment

Electromagnetic compatibility	Electrostatic discharge level 3 conforming to EN/IEC 61000-4-2 Immunity to electrical transients level 4 conforming to EN/IEC 61000-4-4 Immunity to radiated radio-electrical interference level 3 conforming to EN/IEC 61000-4-3 Voltage/Current impulse level 3 conforming to EN/IEC 61000-4-5
Standards	EN/IEC 61800-5-1 EN/IEC 50178 EN/IEC 61800-3 EN/IEC 61800-3 environment 1 EN/IEC 61800-3 environment 2
Product certifications	CUL UL
Marking	CE
Ambient air temperature for operation	32...122 °F (0...50 °C) 32...104 °F (0...40 °C) conforming to UL
Ambient air temperature for storage	-13...158 °F (-25...70 °C)
Pollution degree	Level 2
Relative humidity	5...85 % without condensation
Operating altitude	<= 3280.84 ft (1000 m) without derating > 3280.84...< 6561.68 ft (> 1000...< 2000 m) without derating (maximum ambient temperature 40°C, no protective film, lateral distance of > 50mm)
Vibration resistance	1.5 mm (f = 3...13 Hz) conforming to EN/IEC 60068-2-6 1 gn (f = 13...150 Hz) conforming to EN/IEC 60068-2-6
IP degree of protection	IP20 IP40 on upper part without removal of protective film

Ordering and shipping details

Category	18285 - STEPPER DRIVES
Discount Schedule	PC55
GTIN	00785901234791
Nbr. of units in pkg.	1
Package weight(Lbs)	2.8700000000000001
Returnability	N
Country of origin	DE

Offer Sustainability

Sustainable offer status	Green Premium product
RoHS (date code: YYWW)	Compliant - since 1014 - Schneider Electric declaration of conformity Schneider Electric declaration of conformity
REACH	Reference not containing SVHC above the threshold Reference not containing SVHC above the threshold
Product environmental profile	Available

 [Product Environmental Profile](#)

Product end of life instructions

Available

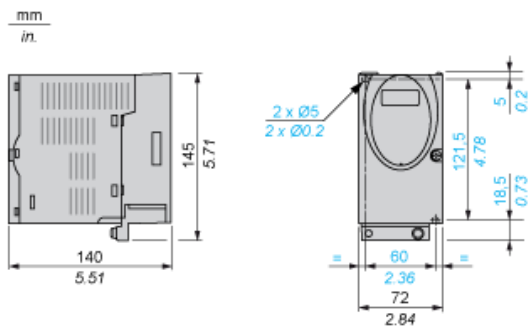
 [End of life manual](#)

Contractual warranty

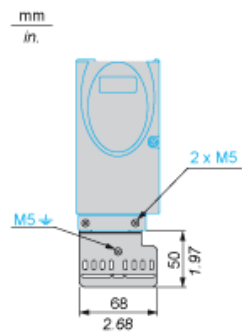
Warranty period

18 months

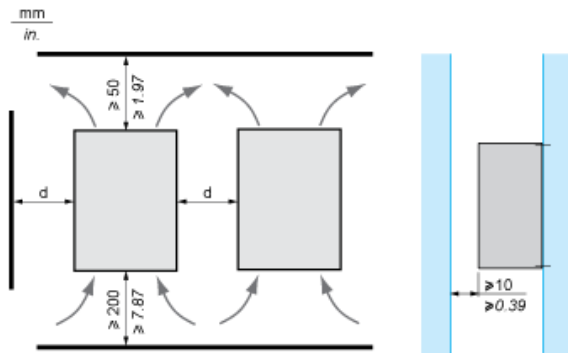
Dimensions



EMC mounting plate (included)



Mounting and Clearance



Ambient temperature	Mounting distances	Mounting recommendations	
		Without protective film (1)	With protective film
0 ... +40 °C	d > 50 mm/1.97 in.	None	None
d > 50 mm/1.97 in.	None	d > 10 mm/0.39 in.	
+40 ... +50 °C	d > 50 mm/1.97 in.	None	Reduce nominal and continuous current by 2.2 % per °C above 40 °C
d > 50 mm/1.97 in.	Reduce nominal and continuous current	Operation not possible	
(1) Recommendation: remove protective film after installation.			

SD326 Connection Example

