



Multi-beam, finger- and hand protection safety sensor

The multi-beam sensors are available in Category 2 (PL c) and Category 4 (PL e) with integrated muting function. The finger- and hand protection models are available in Category 2 (PL c) and Category 4 (PL e) with integrated safety control functions.

- Type 2/Type 4 sensor complying with EN 61496-1
- Family concept in wiring and mounting

Multi-beam models

- Sensing distance up to 50 m
- DIP-switch setup for muting, pre-reset, interlock function and optical coding
- Muting function and muting lamp integrated

Finger- and hand protection models

- Sensing distance up to 0.2 m...6 m (14 mm) and 0.2 m...14 m (35 mm)
- DIP-switch setup for blanking, interlock function, muting and optical coding
- Floating blanking and Fixed blanking supported

Ordering information multi-beam safety sensor

Long-range active/active systems

F3S-TGR-CL2_K (Type 2)

Number of optical axes	Sensing distance	Beam pitch	Feature set*1	Order code
2	0.5 m ... 40 m	500	Advanced	F3S-TGR-CL2A-K2-500
2	0.5 m ... 40 m	500	Basic	F3S-TGR-CL2B-K2-500
3	0.5 m ... 40 m	400	Advanced	F3S-TGR-CL2A-K3-800
3	0.5 m ... 40 m	400	Basic	F3S-TGR-CL2B-K3-800
4	0.5 m ... 40 m	300	Advanced	F3S-TGR-CL2A-K4-900
4	0.5 m ... 40 m	300	Basic	F3S-TGR-CL2B-K4-900
4	0.5 m ... 40 m	400	Advanced	F3S-TGR-CL2A-K4-1200
4	0.5 m ... 40 m	400	Basic	F3S-TGR-CL2B-K4-1200
2	25 m ... 50 m	500	Advanced	F3S-TGR-CL2A-K2-500-LD
2	25 m ... 50 m	500	Basic	F3S-TGR-CL2B-K2-500-LD
3	25 m ... 50 m	400	Advanced	F3S-TGR-CL2A-K3-800-LD
3	25 m ... 50 m	400	Basic	F3S-TGR-CL2B-K3-800-LD
4	25 m ... 50 m	300	Advanced	F3S-TGR-CL2A-K4-900-LD
4	25 m ... 50 m	300	Basic	F3S-TGR-CL2B-K4-900-LD
4	25 m ... 50 m	400	Advanced	F3S-TGR-CL2A-K4-1200-LD
4	25 m ... 50 m	400	Basic	F3S-TGR-CL2B-K4-1200-LD

F3S-TGR-CL4_K (Type 4)

Number of optical axes	Sensing distance	Beam pitch	Feature set*1	Order code
2	0.5 m ... 40 m	500	Advanced	F3S-TGR-CL4A-K2-500
2	0.5 m ... 40 m	500	Basic	F3S-TGR-CL4B-K2-500
3	0.5 m ... 40 m	400	Advanced	F3S-TGR-CL4A-K3-800
3	0.5 m ... 40 m	400	Basic	F3S-TGR-CL4B-K3-800
4	0.5 m ... 40 m	300	Advanced	F3S-TGR-CL4A-K4-900
4	0.5 m ... 40 m	300	Basic	F3S-TGR-CL4B-K4-900
4	0.5 m ... 40 m	400	Advanced	F3S-TGR-CL4A-K4-1200
4	0.5 m ... 40 m	400	Basic	F3S-TGR-CL4B-K4-1200
2	25 m ... 50 m	500	Advanced	F3S-TGR-CL4A-K2-500-LD
2	25 m ... 50 m	500	Basic	F3S-TGR-CL4B-K2-500-LD
3	25 m ... 50 m	400	Advanced	F3S-TGR-CL4A-K3-800-LD
3	25 m ... 50 m	400	Basic	F3S-TGR-CL4B-K3-800-LD
4	25 m ... 50 m	300	Advanced	F3S-TGR-CL4A-K4-900-LD
4	25 m ... 50 m	300	Basic	F3S-TGR-CL4B-K4-900-LD
4	25 m ... 50 m	400	Advanced	F3S-TGR-CL4A-K4-1200-LD
4	25 m ... 50 m	400	Basic	F3S-TGR-CL4B-K4-1200-LD

Short-range active/passive systems

F3S-TGR-CL2_K_C (Type 2)

Number of optical axes	Sensing distance	Beam pitch	Feature set*1	Order code
2	0.5 m ... 12 m	500	Advanced	F3S-TGR-CL2A-K2C-500
2	0.5 m ... 12 m	500	Basic	F3S-TGR-CL2B-K2C-500
3	0.5 m ... 8 m	400	Advanced	F3S-TGR-CL2A-K3C-800
3	0.5 m ... 8 m	400	Basic	F3S-TGR-CL2B-K3C-800
4	0.5 m ... 7 m	300	Advanced	F3S-TGR-CL2A-K4C-900
4	0.5 m ... 7 m	300	Basic	F3S-TGR-CL2B-K4C-900
4	0.5 m ... 7 m	400	Advanced	F3S-TGR-CL2A-K4C-1200
4	0.5 m ... 7 m	400	Basic	F3S-TGR-CL2B-K4C-1200

F3S-TGR-CL4_K_C (Type 4)

Number of optical axes	Sensing distance	Beam pitch	Feature set*1	Order code
2	0.5 m ... 12 m	500	Advanced	F3S-TGR-CL4A-K2C-500
2	0.5 m ... 12 m	500	Basic	F3S-TGR-CL4B-K2C-500
3	0.5 m ... 8 m	400	Advanced	F3S-TGR-CL4A-K3C-800
3	0.5 m ... 8 m	400	Basic	F3S-TGR-CL4B-K3C-800
4	0.5 m ... 7 m	300	Advanced	F3S-TGR-CL4A-K4C-900
4	0.5 m ... 7 m	300	Basic	F3S-TGR-CL4B-K4C-900
4	0.5 m ... 7 m	400	Advanced	F3S-TGR-CL4A-K4C-1200
4	0.5 m ... 7 m	400	Basic	F3S-TGR-CL4B-K4C-1200

*1. Feature set: Basic: Manual/automatic restart, coding
Advanced: Basic + Muting + Pre-reset

Ordering information finger- and hand protection safety sensor

Safety category	Feature set*2	Resolution	Length	Order code
2	Basic	14 mm	150 mm...2400 mm	F3S-TGR-CL2B-014-
		35 mm		F3S-TGR-CL2B-035-
	Advanced	14 mm		F3S-TGR-CL2A-014-
		35 mm		F3S-TGR-CL2A-035-
4	Basic	14 mm	150 mm...2400 mm	F3S-TGR-CL4B-014-
		35 mm		F3S-TGR-CL4B-035-
	Advanced	14 mm		F3S-TGR-CL4A-014-
		35 mm		F3S-TGR-CL4A-035-

*2. Feature set: Basic: Manual/automatic restart, coding
Advanced: Blanking functions + Muting + Pre-reset

Specifications

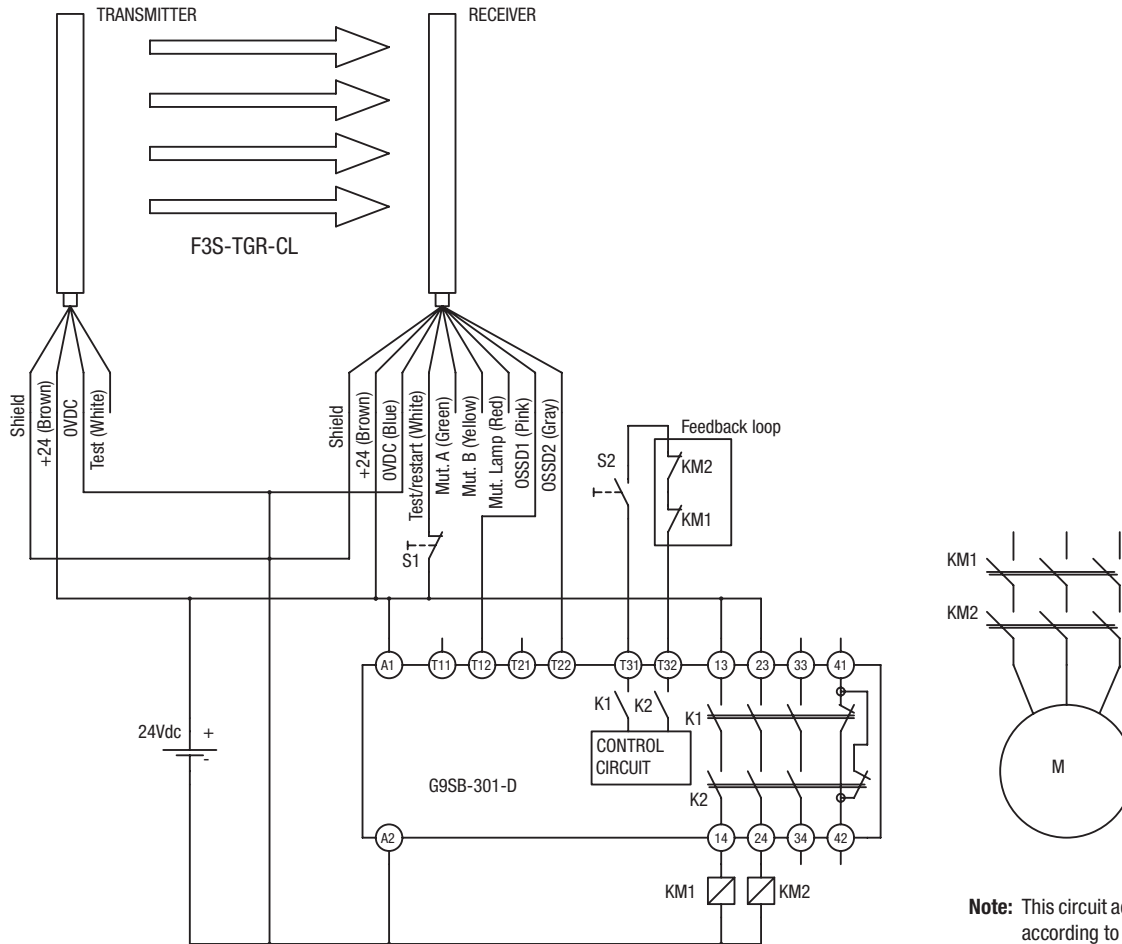
Multi-beam safety sensor

Item	F3S-TGR-CL2 -K_	F3S-TGR-CL4 -K_
Sensor Type	Type 2	Type 4
Operating range	F3S-TGR-CL__-K_ 0.5 m ... 40 m F3S-TGR-CL__-K_-LD 25 m ... 50 m F3S-TGR-CL__-K2C-500 0.5 m ... 12 m F3S-TGR-CL__-K3C-800 0.5 m ... 8 m F3S-TGR-CL__-K4C- 0.5 m ... 7 m	
Beam pitch	F3S-TGR-CL__-K2_-500: 2 beams, 500 mm F3S-TGR-CL__-K3_-800: 3 beams, 400 mm F3S-TGR-CL__-K4_-900: 4 beams, 300 mm F3S-TGR-CL__-K4_-1200: 4 beams, 400 mm	
Effective aperture angle acc. EN 61496-2 (2006) for distances <3 m	Within ±5°	Within ±2.5°
Light source	Infrared LED (880 nm), Power dissipation <3 mW, Class 1 per EN 60825-1	
Supply Voltage	24 VDC±20%, according EN/IEC60204 able to cover a drop of voltage of at least 20 ms	
OSSD	2 PNP transistor outputs, load current 2x250 mA max	
Test functions	Self test (after power ON and during operation)	
Safety-related functions	All versions: Auto reset/ interlock with manual reset, EDM (external device monitoring) Advance version only: Muting and Pre-reset function	
Response time	< 13 ms	
Ambient temperature	Operating: -10°C...+55°C, Storage: -25°C...+70°C (no icing, no condensation)	
Degree of protection	IP 65 (IEC 60529)	
Materials	Case: Painted Aluminium, Front window: Acrylic Lexan, Cap: ABS, mounting brackets: cold rolled steel	
Size (cross section)	37x48 mm	
Suitable for safety control systems	Cat. 2 (EN954-1), PLc (EN ISO 13849-1)	Cat. 4 (EN954-1), PLe (EN ISO 13849-1)
MTTFd, DC	MTTFd = 450 years, DC = high, MTTR = 8 hours	
PFH, Proof test interval	PFHd = 2,5*10 ⁻⁹ , Proof test interval: every 20 years	

Finger- and hand safety protection sensor

Item	F3S-TGR-CL2 -0_	F3S-TGR-CL4 -0_
Sensor Type	Type 2	Type 4
Operating range: short setting	F3S-TGR-CL__-014: 0.2 m... 3 m; F3S-TGR-CL__-035: 0.2 m... 8 m	
Operating range: long setting	F3S-TGR-CL__-014: 3 m... 6 m; F3S-TGR-CL__-035: 7 m...14 m	
Beam pitch (center)	14 mm resolution: 7.5 mm 35 mm resolution: 18 mm	
Detection capability	14 mm resolution: 14 mm non-transparent 35 mm resolution: 35 mm non-transparent	
Effective aperture angle acc. EN 61496-2 (2006) for distances < 3 m	Within ±5°	Within ±2.5°
Light source	Infrared LED (880 nm), Power dissipation <3 mW, Class 1 per EN 60825-1	
Supply Voltage	24 VDC±20%, according EN/IEC60204 able to cover a drop of voltage of at least 20 ms	
OSSD	2 PNP transistor outputs, load current 2x250 mA max	
Test functions	Self test (after power ON and during operation)	
Safety-related functions	All versions: Auto reset/ interlock with manual reset, EDM (external device monitoring) Advance version only: Blanking, Muting and Pre-reset function	
Response time	ON to OFF: 14 ms...103 ms	
Ambient temperature	Operating: -10°C...+55°C, Storage: -25°C...+70°C (no icing, no condensation)	
Degree of protection	IP 65 (IEC 60529)	
Materials	Case: Painted Aluminium, Front window: Acrylic Lexan, Cap: ABS, mounting brackets: cold rolled steel	
Size (cross section)	37x48 mm	
Suitable for safety control systems	Cat. 2 (EN954-1), PLc (EN ISO 13849-1)	Cat. 4 (EN954-1), PLe (EN ISO 13849-1)
MTTFd, DC	MTTFd = 450 years, DC = high, MTTR = 8 hours	
PFH, Proof test interval	PFHd = 2,5*10 ⁻⁹ , Proof test interval: every 20 years	

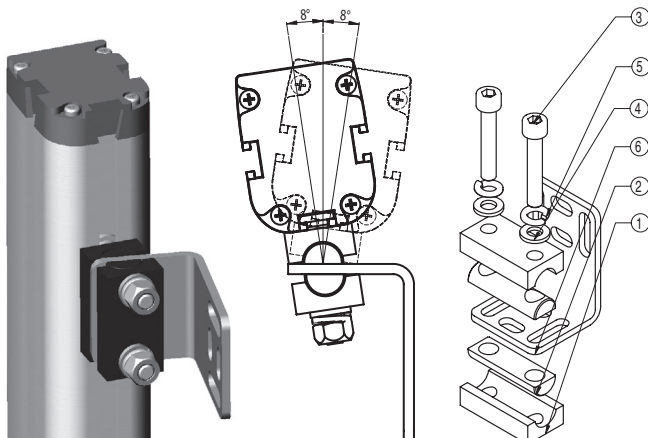
F3S-TGR-CL and GSB-301-D in manual reset



Standard cables

Receiver Cables (M12-8pin, shielded, flying leads)	
F39-TGR-CVL-B-2-R	Receiver Cable, 2 m length
F39-TGR-CVL-B-5-R	Receiver Cable, 5 m length
F39-TGR-CVL-B-10-R	Receiver Cable, 10 m length
F39-TGR-CVL-B-15-R	Receiver Cable, 15 m length
F39-TGR-CVL-B-25-R	Receiver Cable, 25 m length
Transmitter Cables (M12-4pin, shielded, flying leads)	
F39-TGR-CVL-B-2-E	Transmitter Cable, 2 m length
F39-TGR-CVL-B-5-E	Transmitter Cable, 5 m length
F39-TGR-CVL-B-10-E	Transmitter Cable, 10 m length
F39-TGR-CVL-B-15-E	Transmitter Cable, 15 m length
F39-TGR-CVL-B-25-E	Transmitter Cable, 25 m length

Mounting bracket F39-TGR-ST-ADJ



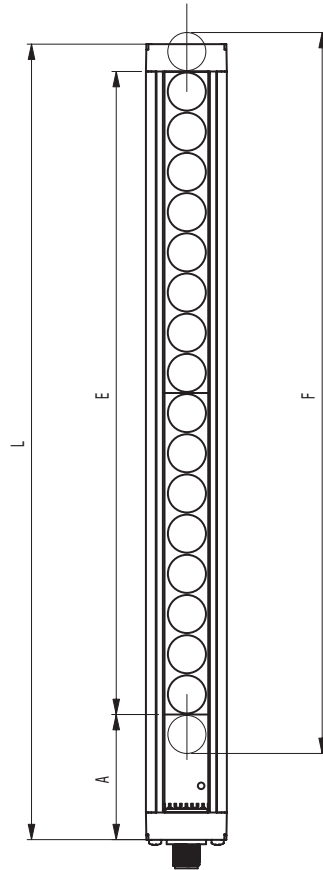
Wiring accessories (connectors and Y-connector cables)

Type	
F39-TGR-CT-B-R	Connector M12, 8-pin, female for wiring
F39-TGR-CT-B-E	Connector M12, 4-pin, female for wiring
F39-TGR-CT-W-R	Connector M12, 8-pin, male for wiring
F39-TGR-CT-W-E	Connector M12, 4-pin, male for wiring
F39-TGR-CVL-D-B-5-R	Cable for Sensor system and muting lamp connection

Safety relay units

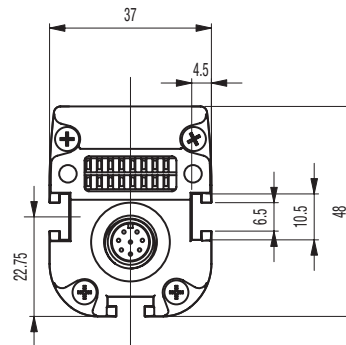
Family	Type Name	Configuration	
G9SB	G9SB-200-D	DPST-NO	
	G9SB-301-D	3PST-NO	
	G9SA	G9SA-301	3PST-NO
		G9SA-501	5PST-NO
G9SA-321-T075		3PST-NO, Time del. 7.5 s	
	G9SA-321-T15	3PST-NO, Time del. 15 s	
	G9SA-321-T30	3PST-NO, Time del. 30 s	
G9SX	G9SX-BC202-RT	2 Safe Outputs	
	G9SX-BC202-RC	2 Safe Outputs	
	G9SX-AD322-T15-RT	3 Safe Outputs, Time del. 15 s	
	G9SX-AD322-T15-RC	3 Safe Outputs, Time del. 15 s	
	G9SX-AD322-T150-RT	3 Safe Outputs, Time del. 150 s	
	G9SX-AD322-T150-RC	3 Safe Outputs, Time del. 150 s	
	G9SX-ADA222-T15-RT	2 Safe Outputs, Time del. 15 s	
	G9SX-ADA222-T15-RC	2 Safe Outputs, Time del. 15 s	
	G9SX-ADA222-T150-RT	2 Safe Outputs, Time del. 150 s	
	G9SX-ADA222-T150-RC	2 Safe Outputs, Time del. 150 s	
DeviceNet Safety	NE1A-SCPU01	16 In, 8 Out, Safety Master	
	NE1A-SCPU02	40 In, 8 Out, Safety Master	
Safety Controller	NE1A-SCPU01L	16 In, 8 Out	
	NE1A-SCPU02L	40 In, 8 Out	
Relay interface	F39-TGR-SB-R	Relay interface for Semiconductor OSSDs	

Dimensions



- L: Total length of the F3S-TGR-CL system
- F: Protective height where an object equal or greater the resolution is detected
- E: Detection zone
- A: Dead zone without detection capability

Alternate T-slot mounting



F3S-TGR-CL system data with 14 mm resolution

	150 mm	300 mm	450 mm	600 mm	750 mm	900 mm	1050 mm	1200 mm	1350 mm	1500 mm	1650 mm	1800 mm	1950 mm	2100 mm	2250 mm	2400 mm
L [mm]	217	364	511	658	805	952	1099	1246	1393	1540	1687	1834	1981	2128	2275	2422
F [mm]	161	308	455	602	749	896	1043	1190	1337	1484	1631	1778	1925	2072	2219	2366
E [mm]	147	294	441	588	735	882	1029	1176	1323	1470	1617	1764	1911	2058	2205	2352
A [mm]	59	59	59	59	59	59	59	59	59	59	59	59	59	59	59	59
Weight [kg]	0.83 kg	1.39 kg	1.95 kg	2.51 kg	3.07 kg	3.63 kg	4.19 kg	4.75 kg	5.31 kg	5.87 kg	6.43 kg	7 kg	7.55 kg	8.11 kg	8.67 kg	9.24 kg

F3S-TGR-CL system data with 35 mm resolution

	150 mm	300 mm	450 mm	600 mm	750 mm	900 mm	1050 mm	1200 mm	1350 mm	1500 mm	1650 mm	1800 mm	1950 mm	2100 mm	2250 mm	2400 mm
L [mm]	217	364	511	658	805	952	1099	1246	1393	1540	1687	1834	1981	2128	2275	2422
F [mm]	182	329	476	623	770	917	1064	1211	1358	1505	1652	1799	1946	2093	2240	2387
E [mm]	147	294	441	588	735	882	1029	1176	1323	1470	1617	1764	1911	2058	2205	2352
A [mm]	59	59	59	59	59	59	59	59	59	59	59	59	59	59	59	59
Weight [kg]	0.83 kg	1.39 kg	1.95 kg	2.51 kg	3.07 kg	3.63 kg	4.19 kg	4.75 kg	5.31 kg	5.87 kg	6.43 kg	7 kg	7.55 kg	8.11 kg	8.67 kg	9.24 kg

F3S-TGR-CL-K system data

Model number	Weight	Dimensions			
		F [mm]	L [mm]	E [mm]	A [mm]
F3S-TGR-CL_-K2C-500	2.3 kg	518	682	500	59
F3S-TGR-CL_-K3C-800	3.2 kg	818	982	400	59
F3S-TGR-CL_-K4C-900	4.1 kg	918	1082	300	59
F3S-TGR-CL_-K4C-1200	4.9 kg	1218	1382	400	59
F3S-TGR-CL_-K2-500	2.3 kg	518	682	500	59
F3S-TGR-CL_-K3-800	3.2 kg	818	982	400	59
F3S-TGR-CL_-K4-900	4.1 kg	918	1082	300	59
F3S-TGR-CL_-K4-1200	4.9 kg	1218	1382	400	59
F3S-TGR-CL_-K2-500-LD	2.3 kg	518	682	500	59
F3S-TGR-CL_-K3-800-LD	3.2 kg	818	982	400	59
F3S-TGR-CL_-K4-900-LD	4.1 kg	918	1082	300	59
F3S-TGR-CL_-K4-1200-LD	4.9 kg	1218	1382	400	59