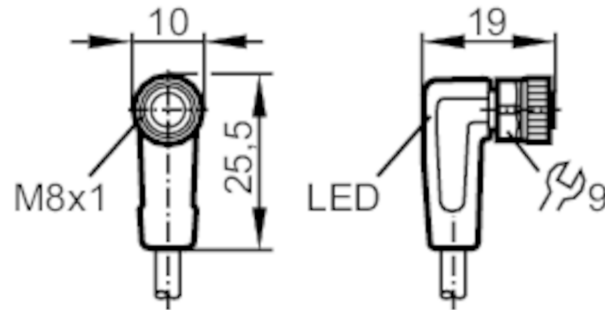


# EVC147



## Connecting cable with socket

ADOAF032MSS0002H03



### Application

Free from silicone yes

### Electrical data

Operating voltage [V] 10...36 DC

Protection class III

Max. current load total [A] 3

### Outputs

Electrical design PNP

### Operating conditions

Ambient temperature [°C] -25...90

Note on ambient temperature cULus: ...80 °C

Ambient temperature (moving) [°C] -25...90

Note on ambient temperature (moving) cULus: ...80 °C

Protection IP 65; IP 67; IP 68; IP 69K

### Tests / approvals

MTTF [years] 31710

# EVC147



## Connecting cable with socket

ADOAF032MSS0002H03

Mechanical data		
Weight [g]	50	
Dimensions [mm]	19 x 10 x 25.5	
Materials	housing: TPU black transparent; Sealing: FKM	
Drag chain suitability	bending radius for flexible use	min. 10 x cable diameter
	travel speed	max. 3.3 m/s for a horizontal travel length of 5 m and max. acceleration of 5 m/s <sup>2</sup>
	bending cycles	> 5 Mio.
	torsional strain	± 180 °/m
Drag chain suitability	yes	

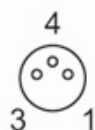
Displays / operating elements		
Display	switching status	1 x LED, yellow
	operation	1 x LED, green

Remarks	
Pack quantity	1 pcs.

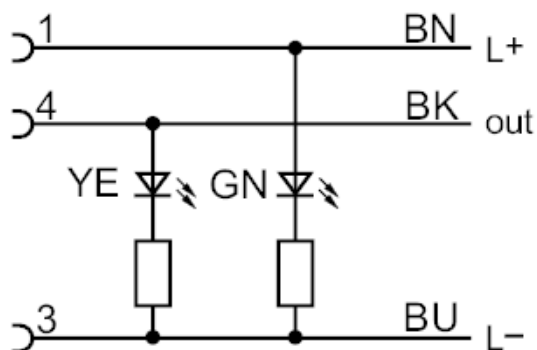
### Electrical connection

Cable: 2 m, PUR, Halogen-free, black, Ø 3.7 mm; 3 x 0.25 mm<sup>2</sup> (32 x Ø 0.1 mm )

### Electrical connection - socket



### Connection



Core colours :

- BK = black
- BN = brown
- BU = blue