

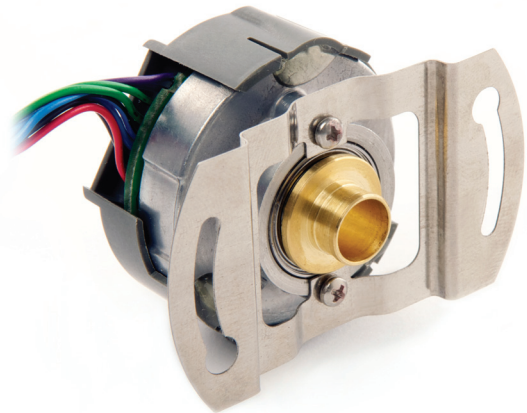
# SERIES F14

# Dynapar™ brand

## For Stepper & Small Servo Motors

### Key Features

- Easy to install non-marring hollowshaft design with flex tether
- Up to 5000 PPR for smooth low-speed motor control
- Up to 120C temperature range doesn't limit motor performance



Product shown with optional flex tether



## SPECIFICATIONS

### STANDARD OPERATING CHARACTERISTICS

**Code:** Incremental with commutation option, Optical  
**Resolution:** 1000 - 5000 PPR incremental with 4, 6 and 8 pole commutation channels  
**Accuracy:** Incremental:  $\pm 2.5$  arc-mins. max. edge to any edge; Commutation:  $\pm 6$  arc-mins. max.  
**Phasing for CCW rotation of motor shaft** (viewing encoder cover): A leads B by  $90^\circ$  and U leads V leads W by  $120^\circ$ .  
**Minimum edge separation** A to B is  $45^\circ$ .  
**Index to U channel:**  $\pm 1^\circ$  mech. index pulse center to U channel edge.  
**Index Pulse Width:**  $90^\circ$  gated A and B high; ( $180^\circ$  gated B high gating options available - consult factory)

### ELECTRICAL

**Input Power Requirements:**  $5 \pm 10\%$  VDC at 150 mA max (incremental only); 175 mA max. (incremental and commutation), excluding output load  
**Output Signals:**  
**Incremental:** 26LC31 Differential Line Driver, sink / source 40 mA max.  
**Commutation:** Open Collector Commutation 30 mA sink max. (2.0 k $\Omega$  pull-ups in encoder)

### Frequency Response:

PPR  $\leq 1000$ : 250 kHz; PPR  $> 1000$ : 500 kHz  
**Termination:** 16 pin, fully shielded, 2mm pitch, double row header. Accessory mating cable assembly available: 26 AWG twisted pair, jacketed and shielded with copper drain wire

### MECHANICAL

**Bore Diameters:** 1/4", 6mm, 8mm standard  
**Bore Dia. Tolerance:**  $+0.001"/-0.000"$  ( $+0.025$  mm/ $-0.000$  mm)  
**Dimensions:** Outside Diameter with cover: 1.55" (39.8mm), without cover 1.45" (36.8mm); Outside collar height 1.36" (34.6mm), inside collar height 1.28" (32.4mm)  
**Mating Shaft Length:** 1.35" (34.3 mm) minimum for outside shaft collar. 0.50 inch minimum for inside shaft collar  
**Mating Shaft Runout:** 0.002" (0.05 mm) max. (Includes shaft perpendicularity to mounting surface)  
**Mating Shaft Axial movement:**  $\pm 0.060"$  ( $\pm 1.52$  mm)  
**Mounting Configuration:** Two standard configurations are available for tethers. A choice of U.S. or Metric screws are included. Mounting holes should be 0.01" (0.254 mm) true position to shaft for best encoder operation.

**Shaft clamp:** 2 #6-32 set screws in collar around hub shaft (will not mar shaft)  
 Electrical/Mechanical Alignment Range:  $\pm 15^\circ$  mechanical typical (see tether options)  
**Acceleration:** 100,000 rad/sec.<sup>2</sup> max.  
**Max. Velocity:** RPM = (Frequency / PPR)  $\times$  60; or 12,000 RPM, whichever is less  
**Moment of Inertia:**  $8.2 \times 10^{-5}$  in-oz sec.<sup>2</sup> (5.8 gm-cm<sup>2</sup>)  
**Housing & Cover Material:** Bearing housing: aluminum; Cover: high temperature, glass filled polymer;  
 Hub: Brass; Disk: 0.030" thick glass; Cover Finish: RAL 7010 (dark grey)  
**Weight:** 1.6 oz. (45gm) typ.

### ENVIRONMENTAL

**Operating Temperature:**  $0^\circ$  to  $+120^\circ$ C  
**Storage Temperature:**  $-40^\circ$  to  $+120^\circ$ C  
**Shock:** 100 Gs for 6 msec duration  
**Vibration:** 2.5 Gs at 5 to 2000 Hz  
**Humidity:** 90% (non-condensing)  
**Enclosure Rating:** NEMA 1 / IP40 (for models with cover)



[WWW.DYNAPAR.COM](http://WWW.DYNAPAR.COM)

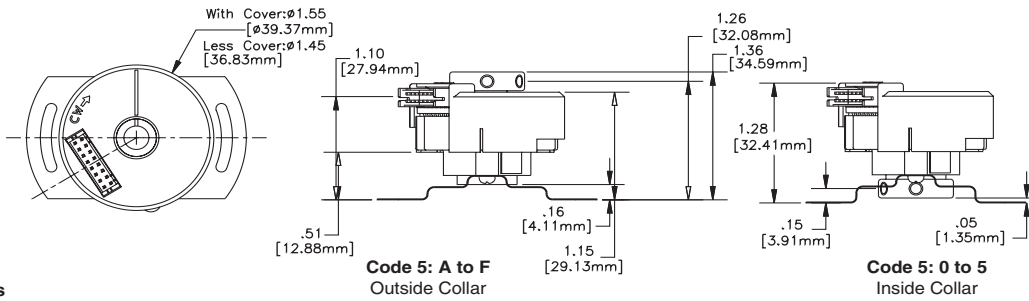
Headquarters: 1675 Delany Road • Gurnee, IL 60031-1282 • USA

**Customer Service:**  
 Tel.: +1.800.873.8731  
 Fax: +1.847.662.4150  
[custserv@dynapar.com](mailto:custserv@dynapar.com)

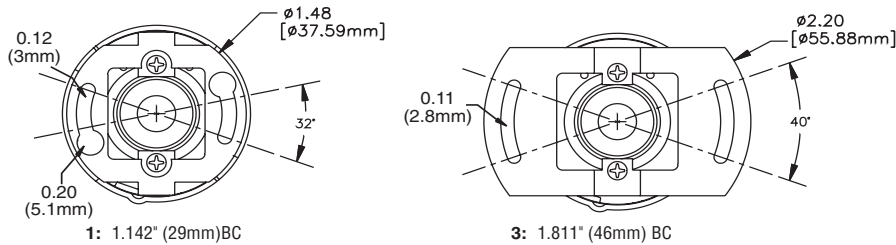
**Technical Support**  
 Tel.: +1.800.234.8731  
 Fax: +1.847.662.4150  
[dynapar.techsupport@dynapar.com](mailto:dynapar.techsupport@dynapar.com)

**European Sales Representative**  
 Hengstler GmbH  
 Umlandstrasse 49, 78554 Aldingen  
 Germany  
[www.hengstler.com](http://www.hengstler.com)

**Dimensions**



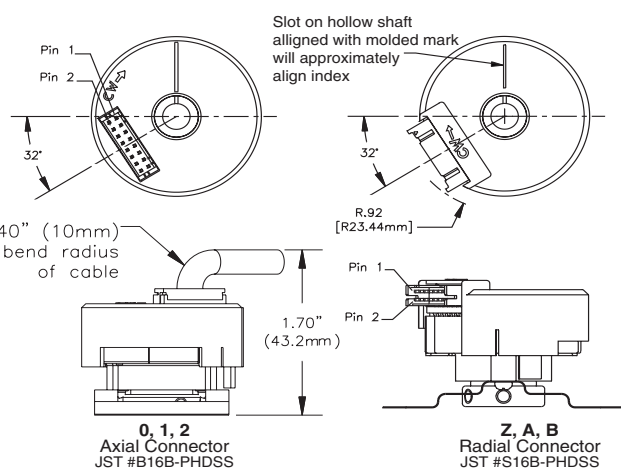
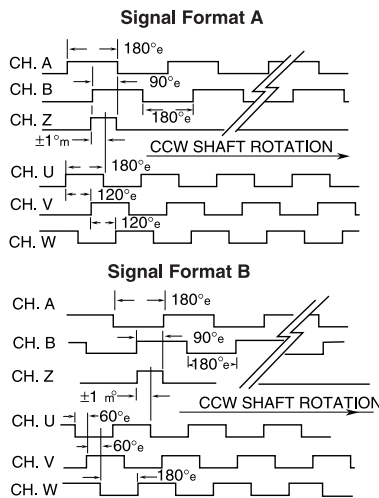
Code 3: Tethers



**Electrical Connections**

**Output Waveforms**

Pin	Function*	Cable Wire Color
1	VCC	RED
2	U	Brown
3	GND	BLACK
4	V	GRAY
5	A	BLUE
6	W	WHITE
7	A	BLUE/BLACK
8	NONE	NONE
9	B	GREEN
10	U	BROWN/BLACK
11	B	GREEN/BLACK
12	V	GRAY/BLACK
13	Z	VIOLET
14	W	WHITE/BLACK
15	Z	VIOLET/BLACK
16	NONE	NONE



\* Function availability dependant on Model  
 Incremental only, 111752-000x  
 Incremental + Comm., 111753-000x  
 x= length in feet

**Mating Cable Assembly:**

**Ordering Information**

To order, complete the model number with code numbers from the table below:

Code 1: Model	Code 2: PPR, Poles	Code 3: Tether	Code 4: Electrical	Code 5: Bore	Code 6: Termination
<b>F14</b>	□□□□/□	□	□	□	□

Ordering Information																																																
<b>F14</b> Size 14 Commutating Encoder	Incremental channels only <b>1000/0</b> <b>2500/0</b> <b>2000/0</b> <b>4096/0</b> <b>2048/0</b> <b>5000/0</b>	<b>0</b> No Tether <b>1</b> 2 #2 on 1.181" Diameter <b>3</b> 2 #4 on 1.811" Diameter <b>6</b> 2 M2.5 on 30 mm Diameter <b>8</b> 2 M3 on 46 mm Diameter	Available when Code 2 is ≤ 1024/0 <b>0</b> 5V in, open collector out incremental only - Format A <b>C</b> 5V in, open collector out incremental only - Format B Available when Code 2 is XXXX/0 <b>3</b> 5V in, line driver out incremental only - Format A <b>D</b> 5V in, line driver out incremental only - Format B Available when Code 2 is XXXX/4, XXXX/6, or XXXX/8 <b>6</b> 5V in, line driver out incr.; 5V in, open collector out comm. Format A <b>E</b> 5V in, line driver out incr.; 5V in, open collector out comm. - Format B <b>9</b> 5V in, line driver out incr.; 5V in, line driver out comm. Format A <b>F</b> 5V in, line driver out incr.; 5V in, line driver out comm. - Format B	Inside Collar: <b>0</b> 1/4 in. <b>4</b> 6 mm <b>5</b> 8 mm Outside Collar: <b>A</b> 1/4 in. <b>E</b> 6 mm <b>F</b> 8 mm	<table border="1"> <thead> <tr> <th colspan="3">Code</th> <th rowspan="2">Length</th> </tr> <tr> <th>Connector/Cable</th> <th>Wire</th> <th></th> </tr> </thead> <tbody> <tr><td>0</td><td>Z</td><td>N/A</td><td>None</td></tr> <tr><td>1</td><td>A</td><td>J</td><td>1 Ft.</td></tr> <tr><td>2</td><td>B</td><td>K</td><td>2 Ft.</td></tr> <tr><td>3</td><td>C</td><td>L</td><td>3 Ft.</td></tr> <tr><td>4</td><td>D</td><td>M</td><td>4 Ft.</td></tr> <tr><td>5</td><td>E</td><td>N</td><td>5 Ft.</td></tr> <tr><td>6</td><td>F</td><td>P</td><td>6 Ft.</td></tr> <tr><td>7</td><td>G</td><td>Q</td><td>7 Ft.</td></tr> <tr><td>8</td><td>H</td><td>R</td><td>8 Ft.</td></tr> </tbody> </table>	Code			Length	Connector/Cable	Wire		0	Z	N/A	None	1	A	J	1 Ft.	2	B	K	2 Ft.	3	C	L	3 Ft.	4	D	M	4 Ft.	5	E	N	5 Ft.	6	F	P	6 Ft.	7	G	Q	7 Ft.	8	H	R	8 Ft.
					Code			Length																																								
Connector/Cable	Wire																																															
0	Z	N/A	None																																													
1	A	J	1 Ft.																																													
2	B	K	2 Ft.																																													
3	C	L	3 Ft.																																													
4	D	M	4 Ft.																																													
5	E	N	5 Ft.																																													
6	F	P	6 Ft.																																													
7	G	Q	7 Ft.																																													
8	H	R	8 Ft.																																													
Incremental plus Commutation channels <b>1000/†</b> <b>2500/†</b> <b>2000/†</b> <b>4096/†</b> <b>2048/†</b> <b>5000/†</b>	† Available with 4, 6 or 8 pole. e.g. 1000/6 is 1000PPR with 6 poles	<table border="1"> <thead> <tr> <th colspan="4">CONNECTION OPTIONS</th> </tr> </thead> <tbody> <tr> <td colspan="4">You may choose an integral connector mounted in axial or radial position. Available with or without mating connector/cable.</td> </tr> <tr> <td colspan="4">Alternatively, a direct-solder pigtail cable is offered.</td> </tr> </tbody> </table>	CONNECTION OPTIONS				You may choose an integral connector mounted in axial or radial position. Available with or without mating connector/cable.				Alternatively, a direct-solder pigtail cable is offered.																																					
CONNECTION OPTIONS																																																
You may choose an integral connector mounted in axial or radial position. Available with or without mating connector/cable.																																																
Alternatively, a direct-solder pigtail cable is offered.																																																