

PAB 20 A 209

Photoelectric Bus Amplifiers

Standard, Remote Photoelectric Systems




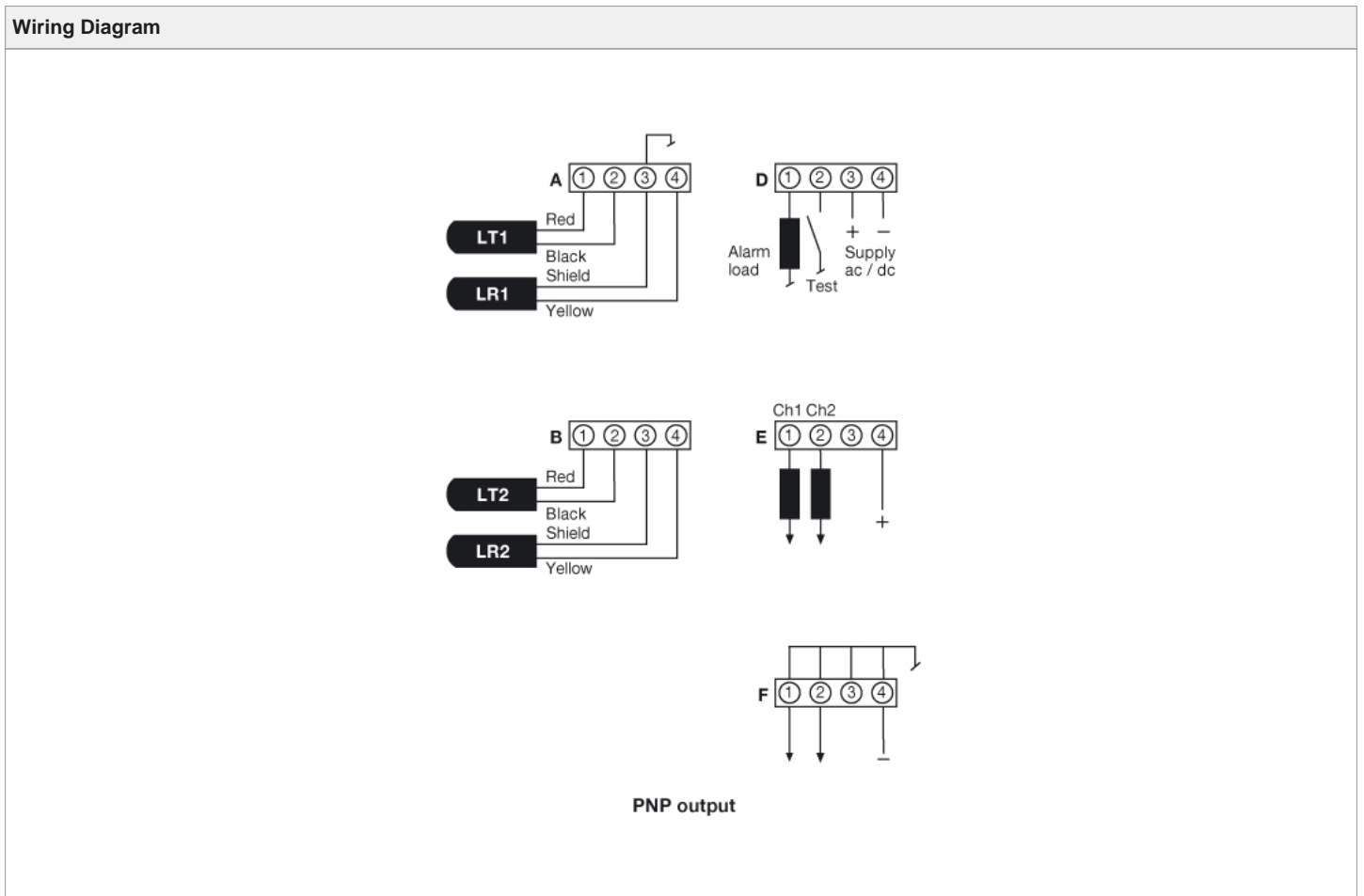
Product Data	
Supply Voltage:	10 – 30 V dc / 24 V ac
Housing:	Removable screw terminals
Sensing Range:	47 m
Number of Channels:	2
Sensitivity Adjustment:	Manual
Timer:	On/Off Delay
Output:	2 individual PNP

Technical Data	
Supply Voltage:	10 - 30 V dc or 24 V ac
Current Consumption:	Max. 2,3 W
Housing Material:	Polyamide
Power On Indicator:	Green LED
Output Indicator:	Yellow LED
Hysteresis:	Approx. 35 %
Voltage Tolerance:	+/- 10 %
Output, Relay:	-
Output, Transistor:	30 V dc / 100 mA
Alarm Indicator:	Red / yellow LED
LR Sensor Failure Indicator:	Yellow LED
LT Sensor Failure Indicator:	Red LED
Master/Slave Address Indicator:	Green / orange LED
Sensor Monitor LED Drive:	Green LED on the receiver: 'Power ON' Yellow LED on the transmitter: PAB output activated
Response Time t_{on} / t_{off} , Relay:	-
Response Time t_{on} / t_{off} , Transistor:	Short range: 18 ms / 18 ms - Long range: 45 ms / 45 ms
Alarm Output, Transistor:	PNP - 30 V dc / 100 mA
Test Input:	Yes
Signal Level Indicator:	Green LED

Operation Frequency, Relay:	-
Operation Frequency, Transistor:	Short range: 28 Hz - Long range: 11 Hz
Delay Time ton / toff:	0 – 10 sec, adjustable

Environmental Data	
Operation Temperature:	- 10 to +50 °C
Storage Temperature:	- 40 to +80 °C
Sealing Class:	IP 40

Approvals	
	



Dimensions

