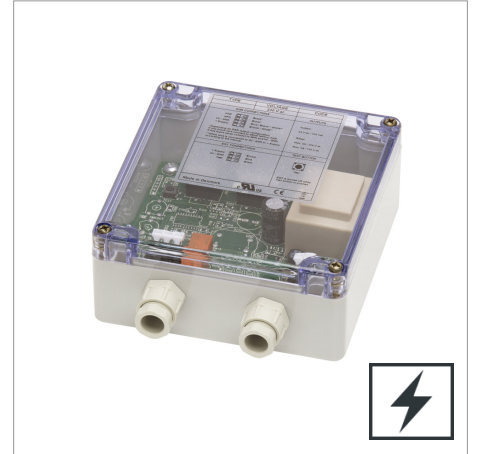


## SGC 1 B 500

## Power Supply Units

Power Supply Units



Product Data	
Function	Power Supply
Supply Voltage	230 V ac
Output	Relay
Housing	56 x 120 x 122

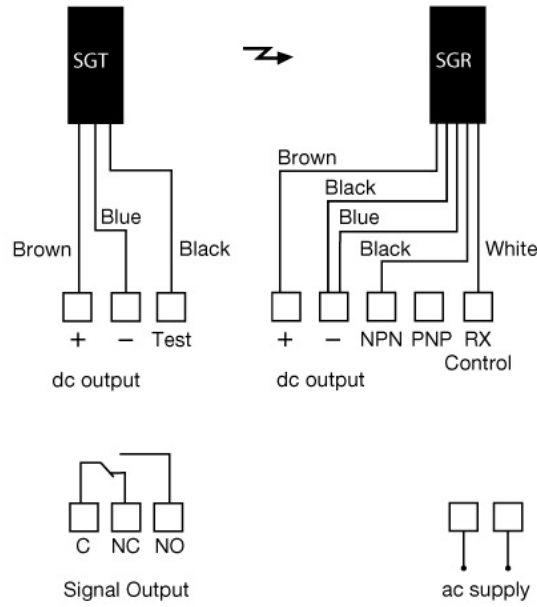
Technical Data	
Supply Voltage	230 V ac
Voltage Tolerance	+/- 10 %
Current Consumption	Max. 250 mA
Supply Output Voltage	24 V dc
Supply Output Current	150 mA
Relay Output	1 open/1 close, 250 V ac/3A, 120 V ac/5A
Test Input	Test push button
Power On Indicator	Green LED
Output Indicator	Yellow LED
Housing Material	ABS

Environmental Data	
Vibration	10 – 55 Hz, 1,5 mm
Shock	30 g
Operation Temperature	-20 to +65 °C
Storage Temperature	-40 to +80 °C
Sealing Class	IP 41

## Approvals



Wiring Diagram



SGC 1 B  
(Shown connected as NPN)

Dimensions

