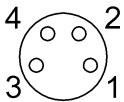




Oil resistant per DIN EN 60811-404 (VDE 0473-811-404)  
 Enclosure rating per IEC 60529, only in screwed state with the associated

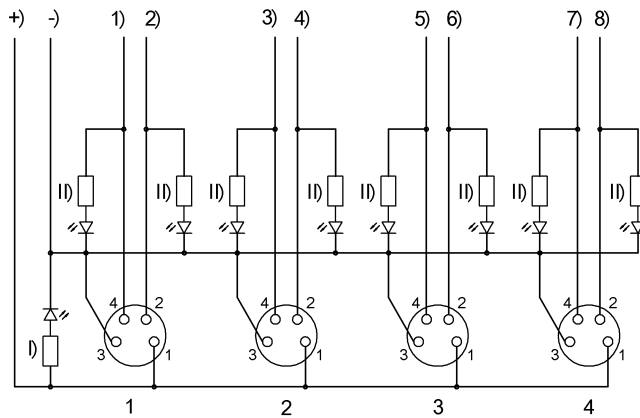
mating piece.

Connector view



I/O ports  
 PIN 1: +24V  
 PIN 2: Normally closed  
 PIN 3: 0V  
 PIN 4: Normally open

Wiring Diagram



+) brown 0.75 mm<sup>2</sup>  
 -) blue 0.75 mm<sup>2</sup>  
 1) white  
 2) gray/pink  
 3) green  
 4) red/blue  
 5) yellow  
 6) white/green  
 7) gray  
 8) brown/green  
 I) LED green  
 II) LED yellow