


## Datasheet - TS 336-02z

Position switch / 336 thermoplastic enclosure - DIN EN 50041 with Actuator / 336 Plunger S



- Design to EN 50041
- Thermoplastic enclosure
- Double-insulated 
- Good resistance to oil and petroleum spirit
- Wide range of alternative actuators
- Actuator heads can be repositioned by 4 x 90°
- 1 Cable entry M 20 x 1.5

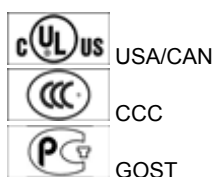
(Minor differences between the printed image and the original product may exist!)

### Ordering details

Product type description	TS 336-02Z
Article number	101165264
EAN code	4030661208572

### Approval

Approval




### Classification

Standards	EN ISO 13849-1
B <sub>10d</sub> Normally-closed contact (NC)	20.000.000
Mission time	20 Years
notice	$MTTF_d = \frac{B_{10d}}{0,1 \times n_{op}}$ $n_{op} = \frac{d_{op} \times h_{op} \times 3600 \text{ s/h}}{t_{cycle}}$

### Global Properties

Product name	336 Druckbolzen S
--------------	-------------------

Standards	EN 60947-5-1, BG-GS-ET-15
Compliance with the Directives (Y/N) 	Yes
Suitable for safety functions (Y/N)	Yes
Actuator type	B to EN 50041
Materials	
- Material of the housings	Plastic, glass-fibre reinforced thermoplastic, self-extinguishing
- Material of the contacts	Silver
Housing coating	None
Housing construction form	Norm construction design
Weight	100 g

## Mechanical data

---

Design of electrical connection	Screw connection
Cable section	
- Min. Cable section	0,75 mm <sup>2</sup>
- Max. Cable section	2.5 mm <sup>2</sup>
Mechanical life	30.000.000 operations
Switching frequency	max. 5000 /h
notice	All indications about the cable section are including the conductor ferrules.
Design of actuating element	Plunger
Actuating force	min. 17 N
Bounce duration	< 2 ms
Switchover time	in accordance with actuating speed
Actuating speed for vertical actuation	
- Min. Actuating speed	
- Max. Actuating speed	0,5 m/s


## Ambient conditions

---

Ambient temperature	
- Min. environmental temperature	-30 °C
- Max. environmental temperature	+80 °C
Protection class	IP67

## Electrical data

---

Design of control element	Opener (NC)
Switching principle	Creep circuit element
- positive break NC contact 	
Number of auxiliary contacts	0 piece
Number of safety contacts	2 piece
Rated impulse withstand voltage $U_{imp}$	6 kV
Rated insulation voltage $U_i$	500 V
Thermal test current $I_{the}$	10 A
Utilisation category	AC-15: 230 V / 4 A, DC-13: 24 V / 4 A
Required rated short-circuit current	1000 A
Max. fuse rating	6 A gG D-fuse

## Dimensions

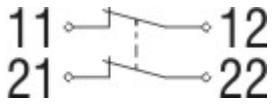
---

Dimensions of the sensor	
- Width of sensor	40.5 mm

- Height of sensor
- Length of sensor

103.5 mm  
38 mm

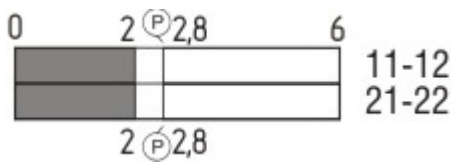
### Diagram



Note Diagram

- positive break NC contact
- active
- no active
- Normally-open contact
- Normally-closed contact

### Switch travel diagram



Notes Switch travel diagram

- Contact closed
- Contact open
- Setting range
- Break point
- Positive opening sequence/- angle
- VS** adjustable range of NO contact
- VÖ** adjustable range of NC contact
- N** after travel

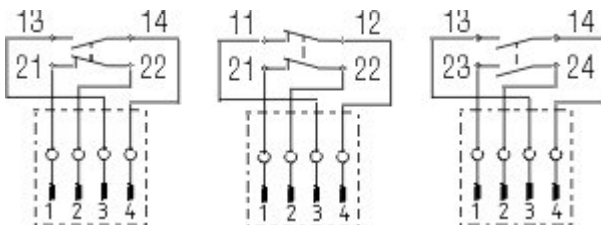
### Ordering suffix

The applicable ordering suffix is added at the end of the part number of the safety switch.  
Order example: TS 336-02z-**NPT**

...-**NPT**

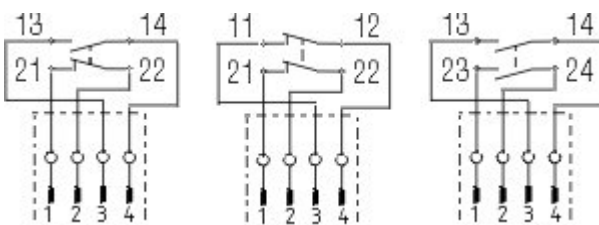
Cable entry NPT 1/2"

...-**ST**



M12 connector with A-coding

...- **2310**



M12 connector with B-coding

## Ordering code

---

(1)(2) 336-(3)Z(4)-(5)-(6)-(7)

(1)

Z Snap action

T Slow action

(2)

S Plunger S

R Roller plunger R

H Roller lever H

10H Rod lever 10H

7H Roller lever 7H

1K Offset roller lever 1K

3K Angle roller lever 3K

(3)

11 1 Normally open contact (NO) / 1 Opener (NC)

02 2 Opener (NC)

20 2 Normally open contact (NO), (Switch with 2 NO contacts are not for security tasks)

01/01 1 Opener (NC) left / 1 Opener (NC) right

(4)

H Slow action with staggered contacts

UE Slow action with overlapping contacts

(5)

without Cable entry M20

NPT cable entry NPT 1/2"

ST M12 connector with A-coding

2310 M12 connector with B-coding

(6)

2138 Roller lever 7H for Position switches with safety function

(7)

1637 gold-plated contacts

## Documents

---

**Operating instructions and Declaration of conformity** (de) 310 kB, 03.04.2013

Code: mrl\_zt332-335-336-355\_de

**Operating instructions and Declaration of conformity** (it) 308 kB, 04.04.2013

Code: mrl\_zt332-335-336-355\_it

**Operating instructions and Declaration of conformity** (fr) 325 kB, 04.04.2013

Code: mrl\_zt332-335-336-355\_fr

**Operating instructions and Declaration of conformity** (cn) 797 kB, 02.03.2010

Code: mrl\_zt332-335-336-355\_cn

**Operating instructions and Declaration of conformity** (nl) 321 kB, 04.04.2013

Code: mrl\_zt332-335-336-355\_nl

**Operating instructions and Declaration of conformity** (jp) 1 MB, 22.11.2010

Code: mrl\_zt332-335-336-355\_jp

**Operating instructions and Declaration of conformity** (pt) 327 kB, 04.04.2013

Code: mrl\_zt332-335-336-355\_pt

**Operating instructions and Declaration of conformity** (es) 323 kB, 04.04.2013

Code: mrl\_zt332-335-336-355\_es

**Operating instructions and Declaration of conformity** (da) 323 kB, 04.04.2013

Code: mrl\_zt332-335-336-355\_da

**Operating instructions and Declaration of conformity** (en) 355 kB, 05.08.2014

Code: mrl\_zt332-335-336-355\_en

**Operating instructions and Declaration of conformity** (pl) 358 kB, 04.04.2013

Code: mrl\_zt332-335-336-355\_pl

**CCC certification** (en) 399 kB, 24.06.2014

Code: q\_347p02

**CCC certification** (cn) 415 kB, 24.06.2014

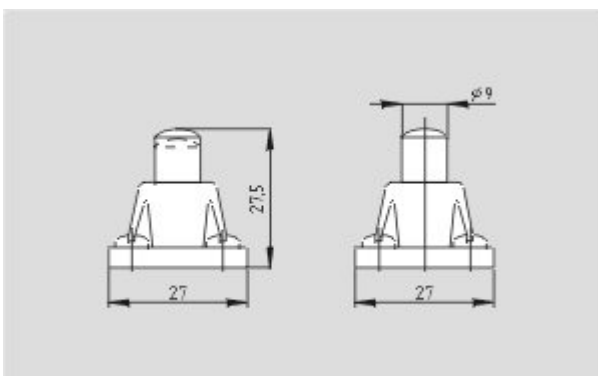
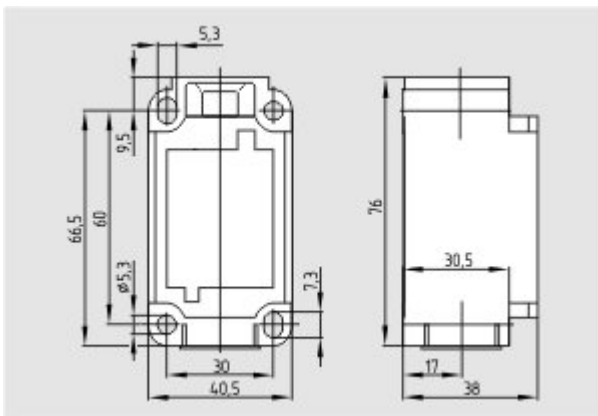
Code: q\_347p03

**Gost certification** (ru) 2 MB, 07.07.2011

Code: q\_az1p01

## Images

---



K.A. Schmersal GmbH & Co. KG, Möddinghofe 30, D-42279 Wuppertal

The data and values have been checked thoroughly. Technical modifications and errors excepted.

Generiert am 02.10.2014 - 10:29:23h Kasbase 2.2.18.F DBI

Image

Image  
et=sS  
e