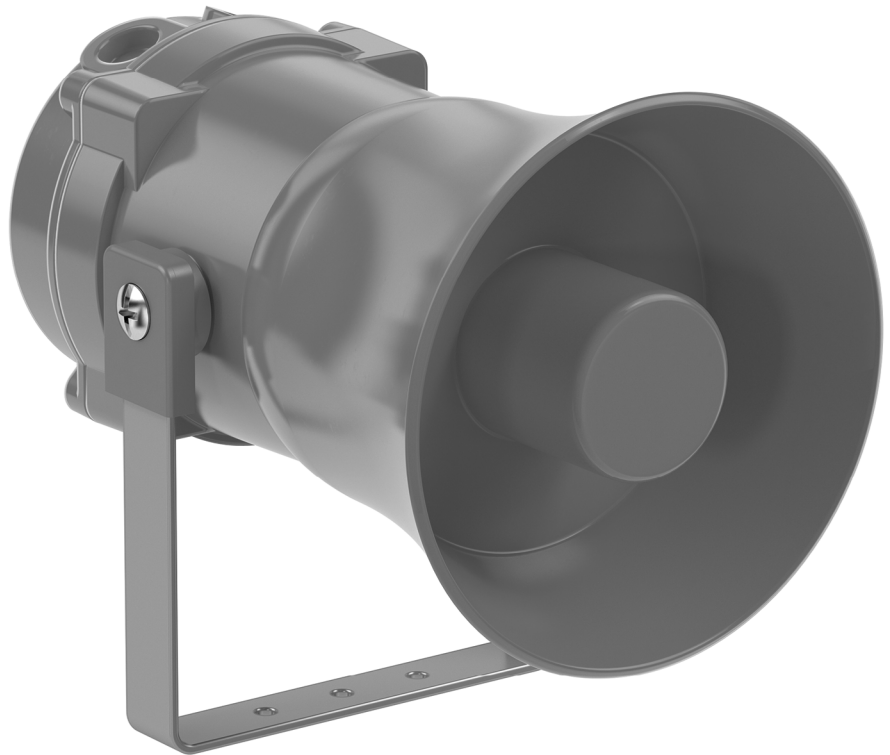


Features

- Automatic synchronisation with systems operation
- Reverse polarity diode fitted
- 'Stage Programmable' version available with 32 sounds and 3 remotely selectable stages
- Degree of protection IP66 / IP67
- Marine grade and corrosion proof LM6 aluminium enclosure
- Ratchet adjustable stainless steel 'U' bracket

Assembly



Technical data

Electrical specifications

Operating voltage	240 V AC , 115 V AC , 24 V DC , further on request
Terminal capacity	0.5 ... 2.5 mm ²
Line monitoring	blocking diode included EOL resistors (AC) or diodes (DC) available on request
Function	alarm sounder
Sound pressure level, maximum	117 dB @ 1 m , 108 dB @ 3 m
Sound pressure level, nominal	110 dB @ 1 m +/- 3 dB - sound 2 , 101 dB @ 3 m
Sound pressure level, control	72 ... 110 dB , sound 2
Effective sound range	100 m @ 1 kHz
Number of sounds	32 , UKOOA / PFEER compliant
Number of stages	3
Stage switching	negative or positive

Mechanical specifications

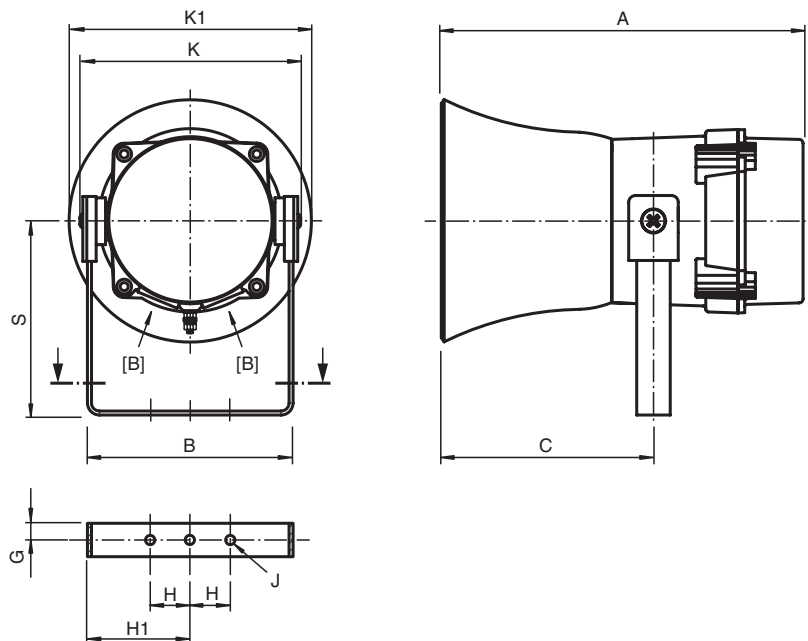
Degree of protection	IP66/IP67
Cable entry face B	
M20 quantity	2
M20 type	metric ISO pitch 1.5 mm
M20 info	Stopping Plug 1x brass nickel-plated
Material	
Enclosure	Aluminum LM6
Horn	fiber reinforced ABS, UL94-V0 and 5VA
Finish	chromated, powder coated RAL 3000 (red)
Mounting bracket	stainless steel 1.4301 / AISI 304
Mass	DC: 3 kg , AC: 3.2 kg
Dimensions	
External dimension (A)	262.6 mm
External dimension (B)	153.6 mm

Release date 2019-06-12 07:00 Date of issue 2019-06-12 t191124_eng.xml

Refer to "General Notes Relating to Pepperl+Fuchs Product Information".

External dimension (C)	100 mm
Mounting holes distance (G)	12.5 mm
Mounting holes distance (H)	30 mm
Mounting holes distance (H1)	76.8 mm
Mounting holes diameter (J)	7 mm
Depth mounting frame (S)	145 mm
Maximum external dimension (K)	165 mm
Maximum external dimension (K1)	181 mm
Grounding	external grounding bolt M5
Ambient conditions	
Ambient temperature	-50 ... 70 °C (-58 ... 158 °F)
Data for application in connection with hazardous areas	
EU-type examination certificate	KEMA 99 ATEX 6312 X
Marking	ⓧ II 2 GD Ex d IIB T* , T4 @ Ta +70 °C Ex d IIC T* , T4 @ Ta +55 °C Ex tb IIIC T** °C Db T100 °C @ Ta +55 °C , T115 °C @ Ta +70 °C
International approvals	
IECEX approval	IECEX KEM 10.0003X
INMETRO	10-IEEx-0009
EAC approval	RU C-GB.AA71.B.00109
Conformity	
Degree of protection	EN 60529
General information	
Scope of delivery	device , 1 Stopping Plug , Instruction leaflet
Supplementary information	EC-Type Examination Certificate, Statement of Conformity, Declaration of Conformity, Attestation of Conformity and instructions have to be observed where applicable. For information see www.pepperl-fuchs.com .

Dimensions



Legend

A	Height
B	Width
C	Depth
G	Mounting holes distance
H	Mounting holes distance
H1	Mounting holes distance from edge of bracket

Release date 2019-06-12 07:00 Date of issue 2019-06-12 t191124_eng.xml

Refer to "General Notes Relating to Pepperl+Fuchs Product Information".

Pepperl+Fuchs Group
www.pepperl-fuchs.com

USA: +1 330 486 0002
pa-info@us.pepperl-fuchs.com

Germany: +49 621 776 2222
pa-info@de.pepperl-fuchs.com

Singapore: +65 6779 9091
pa-info@sg.pepperl-fuchs.com

J	Mounting holes diameter
K	Maximum outer dimension with bracket
K1	Maximum outer dimension with horn
S	Depth of mounting bracket
[A] ... [B]	Cable entry faces

Dimension values see technical data table.

Image and drawing are generic for this device type and may deviate from the specific variant.