



A selection of keys is available to suit a range of applications, from the basic nickel plated key to the stainless steel sealing key. The FS range of keys fit the figure symbol lock type whilst the Q range fits the Q lock type.

OPERATION

Two different types of keys are available: FS range for figure symbol lock type and Q range for Q lock type:



FS keys (Figure symbol)

- Stainless steel, brass and plated range of keys
- Customised coding



• SYMBOL (CODE) TO BE ADVISED WHEN ORDERING

- select up to 3 characters
 - any alpha- (A-Z) and numeric (0-9) configurations
 - only zero used, no use of letter O
 - only use upper case
 - for a part master key* -use ,tablet' e.g A tablet or A tablet tablet for 2 or 3 character symbols
- 44,135 code options available
 - Master and part master keys available*



Q keys (Q type)

- Stainless steel, brass and plated range of keys
- Customised coding



• SYMBOL (CODE) TO BE ADVISED WHEN ORDERING

- select up to 6 characters
 - any alpha- (A-Z) and numeric (0-9) configurations
 - additional, non alphanumeric characters available: (/), (-) and (_)
 - only use upper case
- over 260,000 code options available
 - Recorded in internal data base to avoid duplications

***The disclaimer on page 2 applies when ordering master, part master and spare keys**

DISCLAIMER

IMPORTANT:

We must draw your attention to the potential danger of issuing spare, master or part master keys.



Trapped key interlocks control procedural events in a strict sequence. If this sequence is altered through the use of spare or master keys, the integrity of your safety system may be compromised, possibly resulting in serious or even fatal injury to persons or damage to processes and plant.

In the wrong hands, spare or master keys could expose person(s) to the very hazard from which the interlocking system is intended to protect.

TECHNICAL DATA

Temperature rating	Minimum: -40°C (ice free)
	Maximum: 80°C (use protective gloves operating below -10°C and above 45°C)
Weight	0.1 kg
Material	Stainless steel/brass /nickel plated/chrome plated/nylon coated

ORDER INFORMATION

FS Keys



FK4-NI /
FK4-MASTER



FKW6-S



FKW6-NI



FKW3-RED



KSD-R



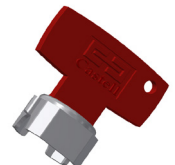
CL1062



006512



FKV4-NI



006591

Order Information/ Part Number	Description
FK4-NI	FK4 NICKEL PLATED KEY
FK4-MASTER	FK4 NICKEL PLATED MASTER KEY
FKW6-S	FKW6 STAINLESS STEEL SEALING KEY
FKW6-NI	FKW6 NICKEL PLATED SEALING KEY
FKW3-RED	FKW3 T HANDLE SEALING KEY RED NYLON COATED
KSD-R	SWITCH DISCONNECTOR KEY
006512	SALVO KEY - FKW6-S KEY COMPLETE WITH ID TAG
CL1062	SCHNEIDER KEY SK20165 MASTER PACT RANGE
FKV4-NI	SCHNEIDER AND ABB SWITCHGEAR APPLICATIONS KEY, NICKEL PLATED
006591	RED MASTER KEY

Special keys available upon enquiry

The disclaimer on page 2 applies when ordering master, part master and spare keys

ORDER INFORMATION

Q Keys (Non Masterable)



QS-S



QS-B



QS-NI

Order Information/ Part Number	Description
QS-S	QS KEY - STAINLESS STEEL
QS-B	QS KEY - BRASS
QS-NI	QS KEY - NICKEL PLATED

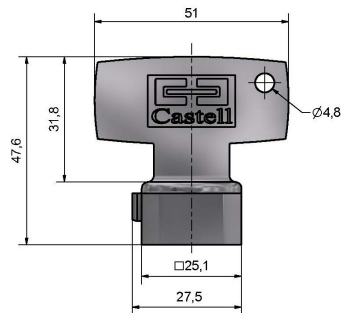
Special keys available upon enquiry

The disclaimer on page 2 applies when ordering spare keys

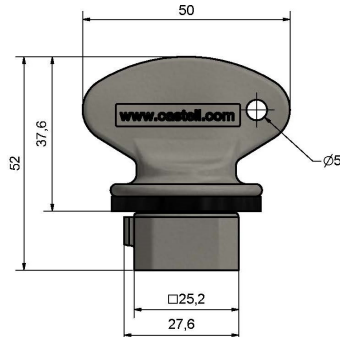
DRAWINGS

Dimensions: in mm

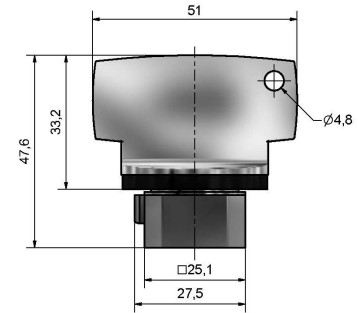
FS Keys



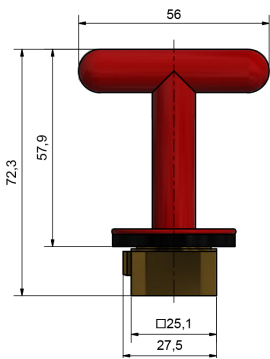
FK4-NI / FK4-MASTER



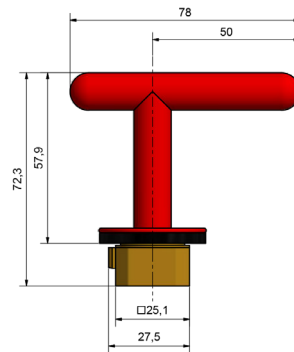
FKW6-S



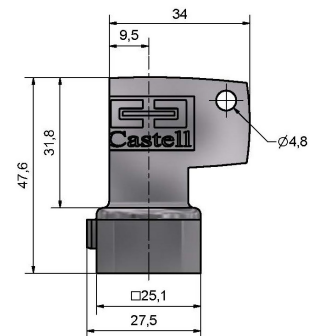
FKW6-NI



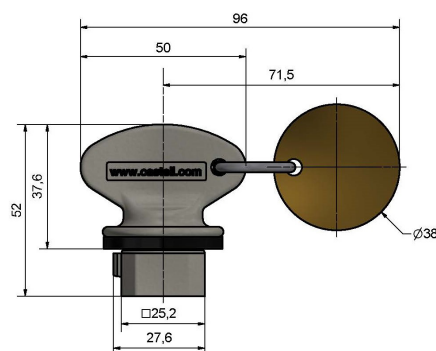
FKW3-RED



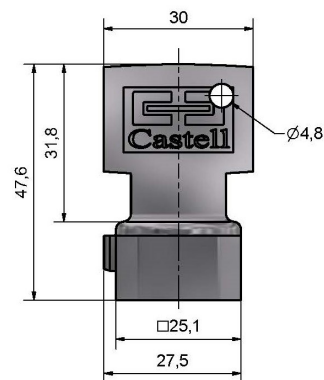
KSD-R



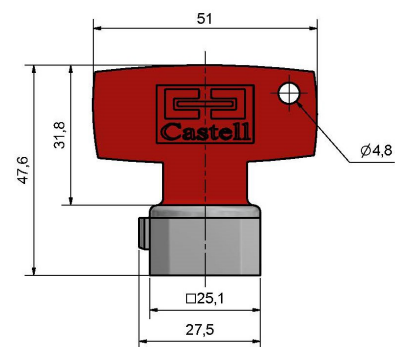
CL1062



006512



FKV4-NI

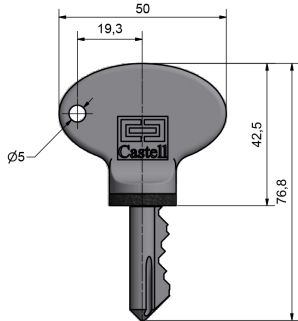


006591

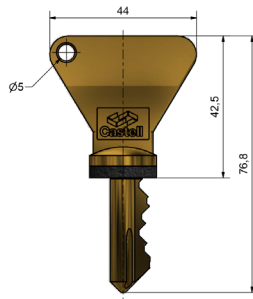
DRAWINGS

Dimensions: in mm

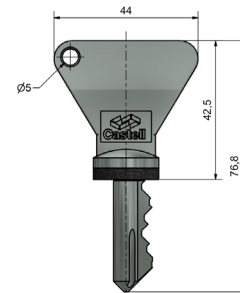
Q Keys (Non Masterable)



QS-S



QS-B



QS-NI

CONTACT INFORMATION

Castell Safety

The Castell Building
217 Kingsbury Road
London, NW9 9PQ
UK

t: +44 (0)20 8200 1200
f: +44 (0)20 8205 0055
e: sales@castell.com

Castell Safety

Tower 185
60185 Frankfurt am Main
Germany

t: +49 (0)69 50 50 47 310
f: +49 (0)69 50 50 47 450
e: vertrieb@castell.com

Kirk Key Interlock

9048 Meridian Circle NW
North Canton, OH 47720
USA

t: +1 800 438 2442
f: +1 330 497 4400
e: sales@kirkkey.com

SPS China

2F, Building 63
No 421 Hongcao Road, Xuhui District
Shanghai PRC, 200233
China

t: +86 (0)21 6040 7398
f: +86 (0)21 5453 0630
e: chinasales@castell.com