

DO NOT SCALE PRINT

Honeywell

SWITCH - BASIC

CATALOGUE LISTING

V5B010CB3G

V5B010CB3G

REPLACES

M

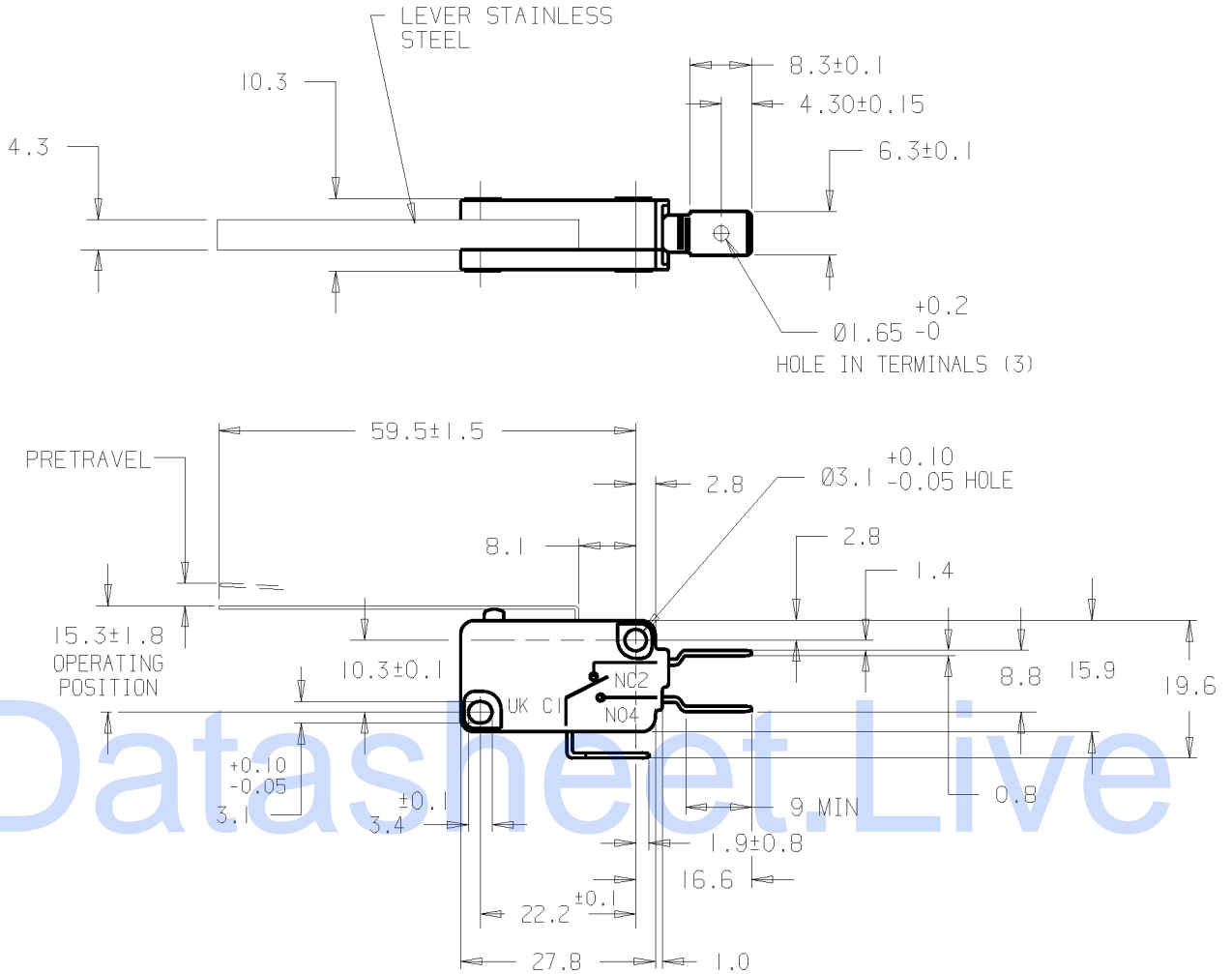
DRAWING NUMBER

3

ISSUE

4

RELEASE NUMBER MS-11287



REVISIONS

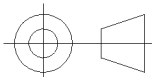
3	1.2.95
CNI5758	
4	A.M.
06/04/00	

NOTES :-

1. MOUNTING HOLES WILL ACCEPT Ø3 MAX PINS OR SCREWS.
2. TERMINALS WILL ACCEPT 6.3 WIDE QUICK CONNECT RECEPTACLES AND COMPLY WITH EN61058-1 REQUIREMENTS.
3. ALSO APPROVED BY UL AT 0.6A 125VDC : 0.3A 250VDC.

THE COPYRIGHT OF THIS DRAWING IS THE PROPERTY OF HONEYWELL LTD. THE DRAWING IS SUPPLIED IN CONFIDENCE AND MUST NOT BE USED FOR ANY PURPOSE OTHER THAN THAT FOR WHICH IT IS SUPPLIED.

THIRD ANGLE PROJECTION



6.87	
B.B.	
CHECK	
DESIGN	
AUTHOR	N

CHARACTERISTICS	
OPERATING FORCE	90g MAX
DIFFERENTIAL FORCE	
RELEASE FORCE	15g MIN
FREE POSITION	
PRETRAVEL	6.4 MAX
DIFFERENTIAL TRAVEL	1.5 MAX
OVERTRAVEL	2.4 MIN
FULL OVERTRAVEL FORCE	

ELECTRICAL DATA	
CONTACT ARRANGEMENT S.P.D.T.	
16(4)A 250V ~ T85 µ 5E4	
16A 1/2HP 125/250VAC	

SCALE :-	1/1
DIMENSIONS ARE IN MILLIMETRES	
TOLERANCES UNLESS OTHERWISE STATED	
±0.4	
ANGULAR ±	
MODIFY ON CAD3D SYSTEM ONLY	