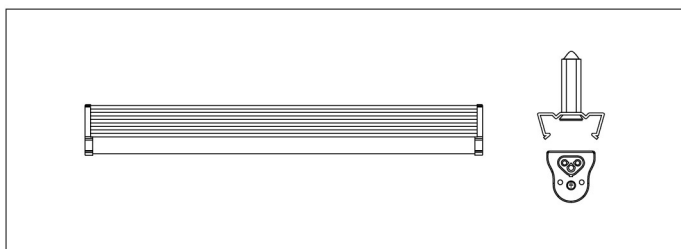


## Steps of installation

- To avoid electric shock, maintenance and installation should only be carried out by a professional electrician.
- Before installation, disconnect the power supply first.
- Please install the tubes by following steps.

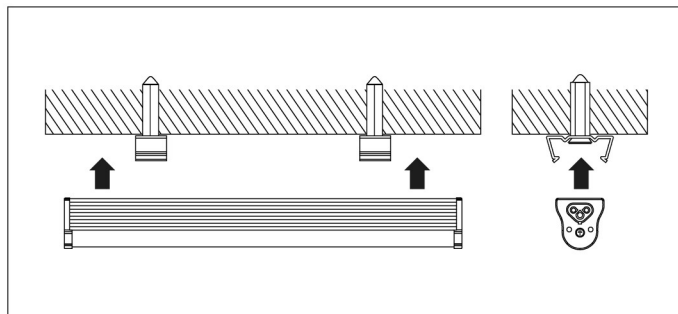
### STEP1.

Fix the mounting brackets in the desired place using the screws or the 2 magnets if this is the desired attachment option



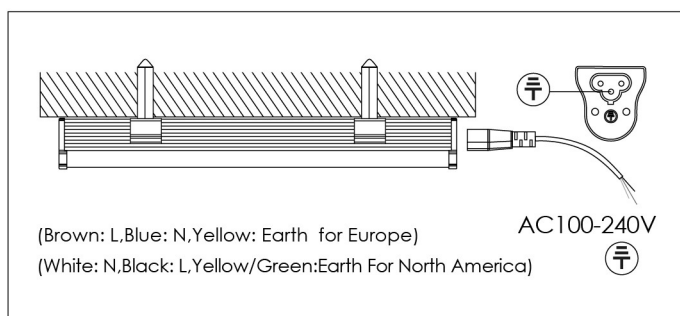
### STEP2.

Fix the LED tube to the ceiling or wall



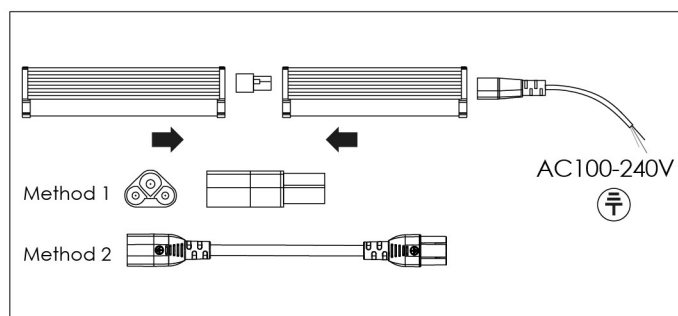
### STEP3.

Connect the power cord to the integrated tube



### STEP4.

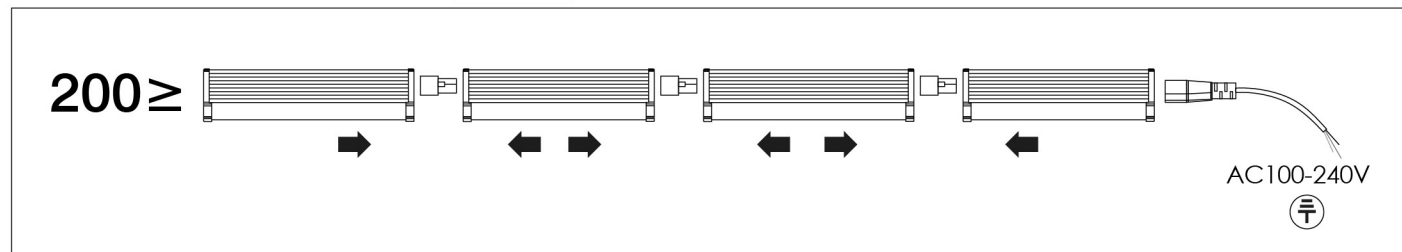
Connect more tubes with the linkable connector if required



### NOTES:

The integrated tubes can be connected to a maximum total of 200W

The lights are connected in parallel i.e. **you cannot use** the switched light version as the master to a slave version (unswitched)



### ⚠ WARNING

- Disconnect power before installation, use a qualified electrician.
- Please use it under correct input power range.
- This tube is non-dimmable.
- Do not use outdoors or where it may be exposed to rain.
- If the product is not working correctly (flashing, off), please check the connections after disconnecting the power.