

Polyester Enclosures – Series CP

BERNSTEIN Series CP and CPS polyester enclosures are produced from highgrade glass fibre-reinforced polyester. Thanks to their reduced surface resistance ($R_o < 109 \text{ Ohm}$), the black polyester enclosures meet the requirements for Ex applications. Polyester enclosures are therefore particularly suitable for accepting and encapsulating electrical and electronic components as well as control components in harsh environments or potentially explosive atmospheres (see Page 14). All enclosures achieve protection class IP66 in accordance with DIN EN 60529 (optionally IP67).

Corresponding to their size, BERNSTEIN polyester enclosures feature M4 or M6 mounting elements in the enclosure body. These mounting bushes are embedded in a flange on the narrow sides of the base and accept mounting plates, mounting rails, pc boards etc.

The captive stainless steel cover screws are retained by a self-latching element integrated in the cover. The threaded bushes for mounting the cover are also made from stainless steel. The protection class (on the standard enclosure) is ensured by a factory-fitted seal. The polyester enclosures are available as standard in grey (RAL 7000, squirrel grey) or black (RAL 9005, jet black) material.

Technical data

Material

Glass fibre-reinforced polyester in grey or black

Seal

Foamed PUR seal
Neoprene (CR) round cord (siliconized), EPDM round cord

Cover screws

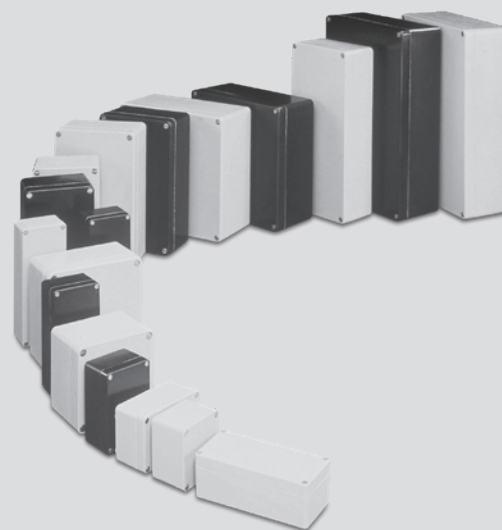
Stainless steel, captive, cross recessed head
Optionally:
Socket head cap screws, stainless steel, captive
Sealed cover screws, stainless steel, slot head

Colour

RAL 7000 (squirrel grey)
bzw. RAL 9005 (jet black)
Other colours (coating or dyeing) available on request for large quantities.

Temperature range of CP enclosures

-60°C to +165°C



Temperature range of seals

Standard:
-40°C to +100°C (PUR seal)
Optionally:
-30°C to +80°C (Neoprene seal)
-60°C to +130°C (silicone seal) or
-35°C to +100°C (EPDM seal)

Protection class

IP66
IP67 with PUR seal

Approbations

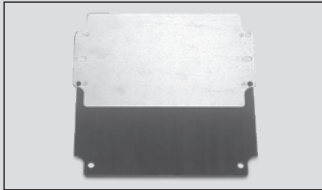
Germanischer Lloyd
c UL us (Label on demand)
c CSA us (Label on demand)
ATEX, IECEx



					Polyester enclosure (grey)		Polyester enclosure (black)	
Dimensions/mm					Article number	Type	Article number	Type
L	x	W	x	H				
80	x	75	x	55	4140000000	CP-140	5140000000	CPS-140
80	x	75	x	75	4140000050	CP-145	5140000050	CPS-145
110	x	75	x	55	4150000000	CP-150	5150000000	CPS-150
110	x	75	x	75	4150000050	CP-155	5150000050	CPS-155
160	x	75	x	55	4170000000	CP-170	5170000000	CPS-170
160	x	75	x	75	4170000050	CP-175	5170000050	CPS-175
190	x	75	x	55	4190000000	CP-190	5190000000	CPS-190
190	x	75	x	75	4190000050	CP-195	5190000050	CPS-195
122	x	120	x	90,5	4220000000	CP-220	5220000000	CPS-220
220	x	120	x	90,5	4240000000	CP-240	5240000000	CPS-240
160	x	160	x	91	4280000000	CP-280	5280000000	CPS-280
260	x	160	x	91	4300000000	CP-300	5300000000	CPS-300
360	x	160	x	91	4320000000	CP-320	5320000000	CPS-320
560	x	160	x	91	4330000000	CP-330	5330000000	CPS-330
255	x	250	x	120	4370000000	CP-370	5370000000	CPS-370
400	x	250	x	120	4400000000	CP-400	5400000000	CPS-400
400	x	405	x	120	4450000000	CP-450	5450000000	CPS-450
400	x	405	x	165	4460000000	CP-460	5460000000	CPS-460

Assembling of components

This is just a selection of possible assembly components that BERNSTEIN offers. Contact us, we can incorporate components from all leading manufacturers to satisfy your individual demand. You find further information about "System solutions" on page 12.



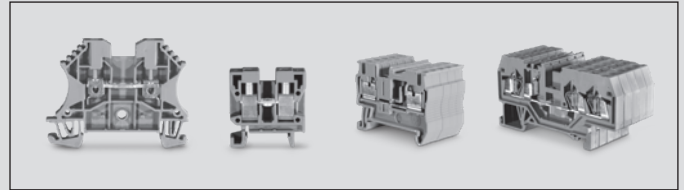
Mounting plates

made from galvanised steel plate or laminated paper (thickness: CP-140 to CP 195 laminated paper 1.5 mm; CP-220 to CP-320 and CP-370 to CP-460 steel plate 1.5 mm; CP-330 steel plate 2.5 mm) for versatile mounting of built-in components.



Mounting rails

conforming to Standards TS 15 or TS 32 and TS 35 made from steel; surface treated for accepting terminal blocks.



Terminal blocks

of all renowned manufacturers are used.



Earthing bars

made from galvanised steel for combining and connecting PE conductors.



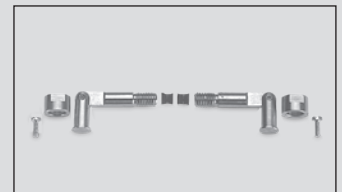
External mounting brackets

made from metal for mounting enclosures without opening the covers. The brackets are always fitted across the shorter sides of the enclosure.



External articulated hinges

for hinged mounting of enclosure cover. Opening range of cover approx. 155°. Cast aluminium (painted in RAL 7001 – specific colour according to enclosure specification possible). Machining is required for mounting on enclosures.



Internal articulated hinges

for hinged mounting of enclosure cover. Opening range of cover approx. 95°. Stainless steel. Machining is required for mounting on enclosures.



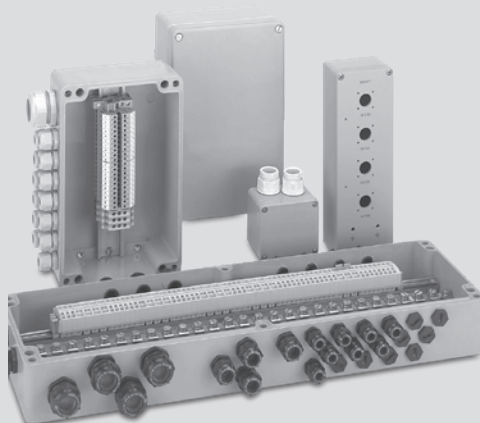
Silicon, EPDM or HF seal

with increased temperature resistance (see indications left side) or to protect sensitive electronic equipment against high-frequency radiation (HF seal). If a HF seal is used, an additional coating of the inside of the enclosure is required.



Cable glands

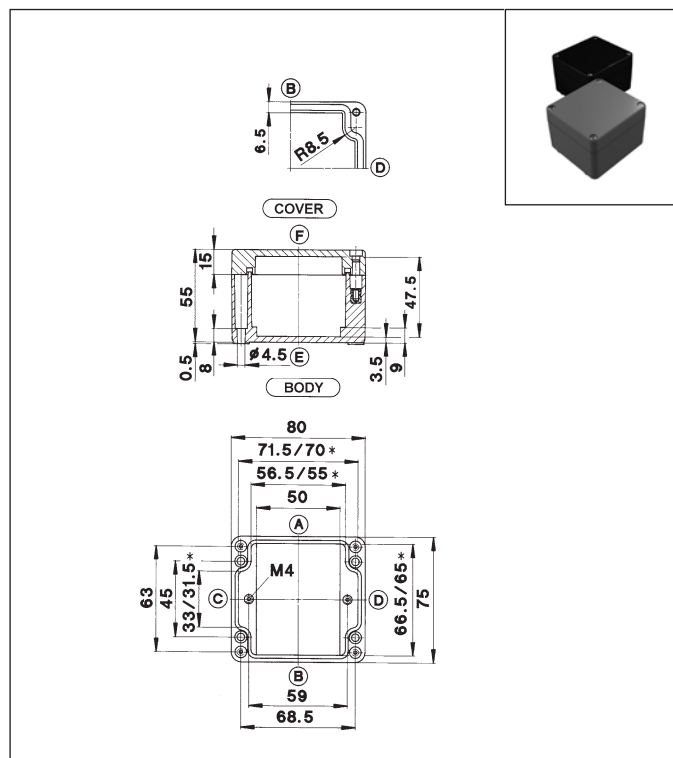
plastic cable glands (polyamide PAGV-2, RAL 7001) or brass cable glands. Sealing element CR/NBR. Temperature range: -20°C to +100°C (see also page 71). Other cable glands on demand.



Polyester Enclosures – Series CP

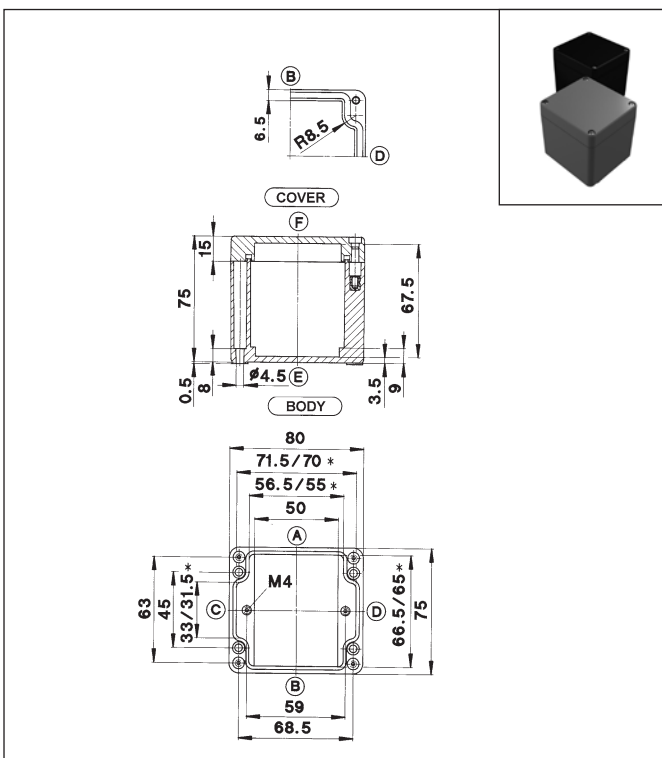
80 x 75 x 55 mm

CP-140 RAL 7000 (squirrel grey)
CPS-140 RAL 9005 (jet black)



80 x 75 x 75 mm

CP-145 RAL 7000 (squirrel grey)
CPS-145 RAL 9005 (jet black)



* Smaller dimension at mounting plate support

Type	CP-140	CPS-140						
Weight (g)	230	230						
External dimension (mm)	80 x 75 x 55							
Ordering data Enclosure with seal (PUR)	Part number							
RAL 7000 (squirrel grey), with cover screws	414000000							
RAL 9005 (jet black), with cover screws	514000000							
Accessories (individual part or installation kit)								
Mounting plate	982300000							
Mounting rail TS 15	982000300							
Mounting rail TS 32	-							
Mounting rail TS 35	-							
Earthing rail	-							
External mounting brackets	982400000							
External articulated hinges for CP** enclosures	-							
External articulated hinges for CPS** enclosures	-							
Internal articulated hinges with cover guide**	-							
Silicone seal for extended temperature range (by the metre)	on request							
Maximum possible number of threads								
ISO M	12	16	20	25	32	40	50	63
Side A/B	5	2	2	1	0	0	0	0
Side C/D	2	1	1	0	0	0	0	0

** Enclosure preparation required

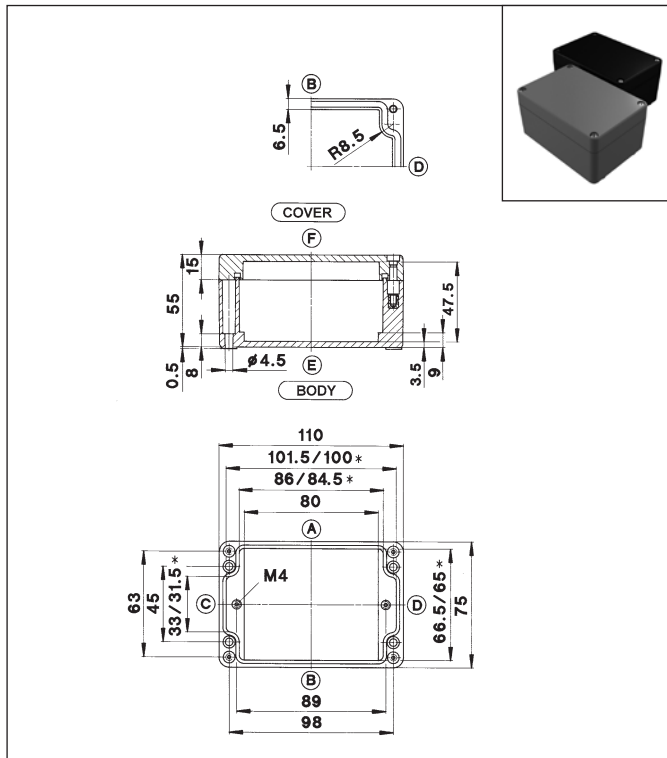
* Smaller dimension at mounting plate support

Type	CP-145	CPS-145						
Weight (g)	300	300						
External dimension (mm)	80 x 75 x 75							
Ordering data Enclosure with seal (PUR)	Part number							
RAL 7000 (squirrel grey), with cover screws	414000050							
RAL 9005 (jet black), with cover screws	514000050							
Accessories (individual part or installation kit)								
Mounting plate	982300000							
Mounting rail TS 15	982000300							
Mounting rail TS 32	-							
Mounting rail TS 35	-							
Earthing rail	-							
External mounting brackets	982400000							
External articulated hinges for CP** enclosures	-							
External articulated hinges for CPS** enclosures	-							
Internal articulated hinges with cover guide**	-							
Silicone seal for extended temperature range (by the metre)	on request							
Maximum possible number of threads								
ISO M	12	16	20	25	32	40	50	63
Side A/B	8	4	2	1	1	0	0	0
Side C/D	4	1	1	1	1	0	0	0

** Enclosure preparation required

110 x 75 x 55 mm

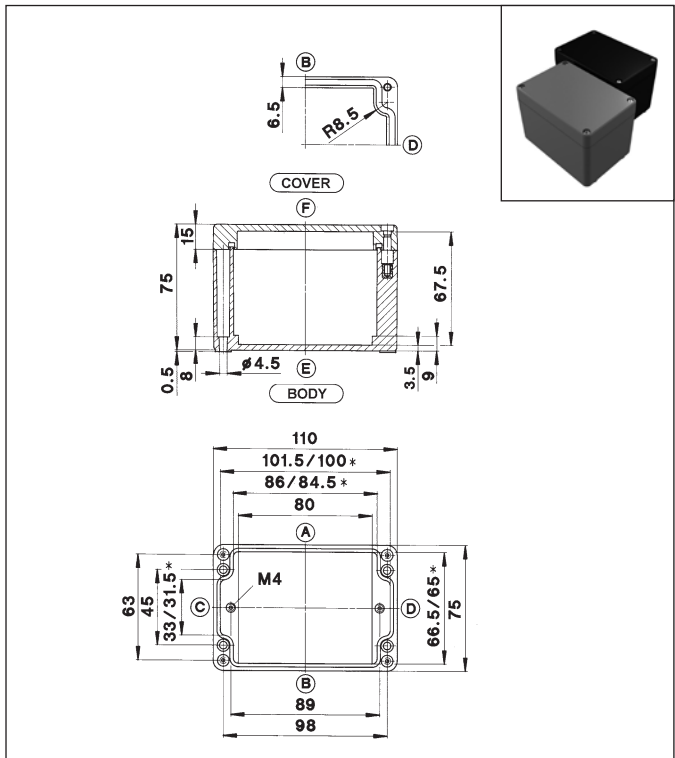
CP-150 RAL 7000 (squirrel grey)
CPS-150 RAL 9005 (jet black)



110 x 75 x 75 mm

CP-155 RAL 7000 (squirrel grey)
CPS-155 RAL 9005 (jet black)

CAD files available
at www.bernstein.eu



* Smaller dimension at mounting plate support

Type	CP-150	CPS-150						
Weight (g)	295	295						
External dimension (mm)	110 x 75 x 55							
Ordering data Enclosure with seal (PUR)	Part number							
RAL 7000 (squirrel grey), with cover screws	415000000							
RAL 9005 (jet black), with cover screws	515000000							
Accessories (individual part or installation kit)								
Mounting plate	9823001000							
Mounting rail TS 15	9820006000							
Mounting rail TS 32	-							
Mounting rail TS 35	-							
Earthing rail	-							
External mounting brackets	9824000000							
External articulated hinges for CP** enclosures	-							
External articulated hinges for CPS** enclosures	-							
Internal articulated hinges with cover guide**	-							
Silicone seal for extended temperature range (by the metre)	on request							
Maximum possible number of threads								
ISO M	12	16	20	25	32	40	50	63
Side A/B	8	3	2	2	0	0	0	0
Side C/D	2	1	1	0	0	0	0	0

** Enclosure preparation required

* Smaller dimension at mounting plate support

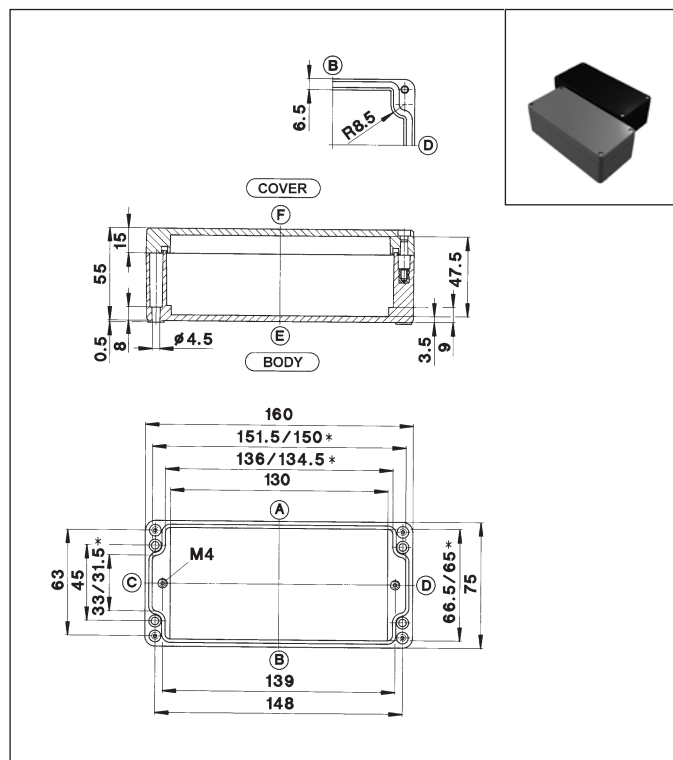
Type	CP-155	CPS-155						
Weight (g)	360	360						
External dimension (mm)	110 x 75 x 75							
Ordering data Enclosure with seal (PUR)	Part number							
RAL 7000 (squirrel grey), with cover screws	4150000050							
RAL 9005 (jet black), with cover screws	5150000050							
Accessories (individual part or installation kit)								
Mounting plate	9823001000							
Mounting rail TS 15	9820006000							
Mounting rail TS 32	-							
Mounting rail TS 35	-							
Earthing rail	-							
External mounting brackets	9824000000							
External articulated hinges for CP** enclosures	-							
External articulated hinges for CPS** enclosures	-							
Internal articulated hinges with cover guide**	-							
Silicone seal for extended temperature range (by the metre)	on request							
Maximum possible number of threads								
ISO M	12	16	20	25	32	40	50	63
Side A/B	12	6	3	2	2	0	0	0
Side C/D	4	1	1	1	1	0	0	0

** Enclosure preparation required

Polyester Enclosures – Series CP

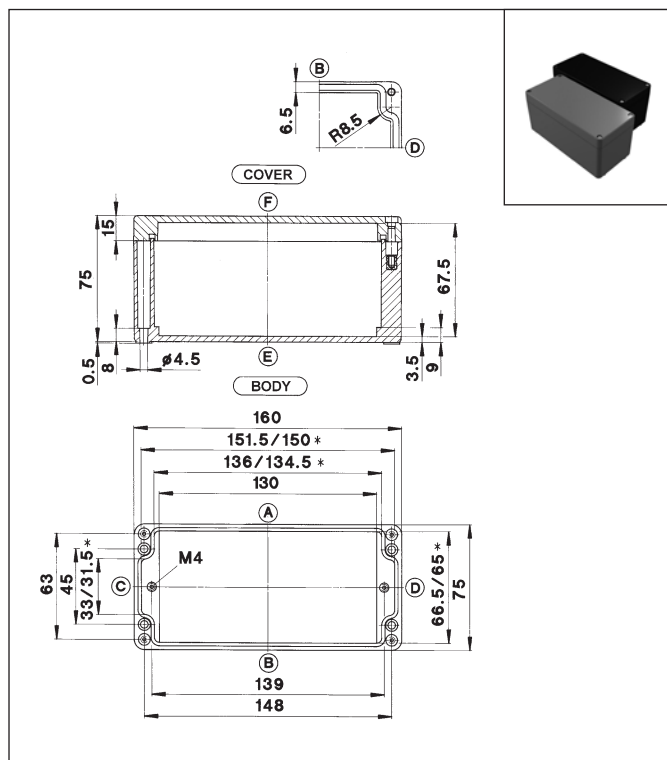
160 x 75 x 55 mm

CP-170 RAL 7000 (squirrel grey)
CPS-170 RAL 9005 (jet black)



160 x 75 x 75 mm

CP-175 RAL 7000 (squirrel grey)
CPS-175 RAL 9005 (jet black)



* Smaller dimension at mounting plate support

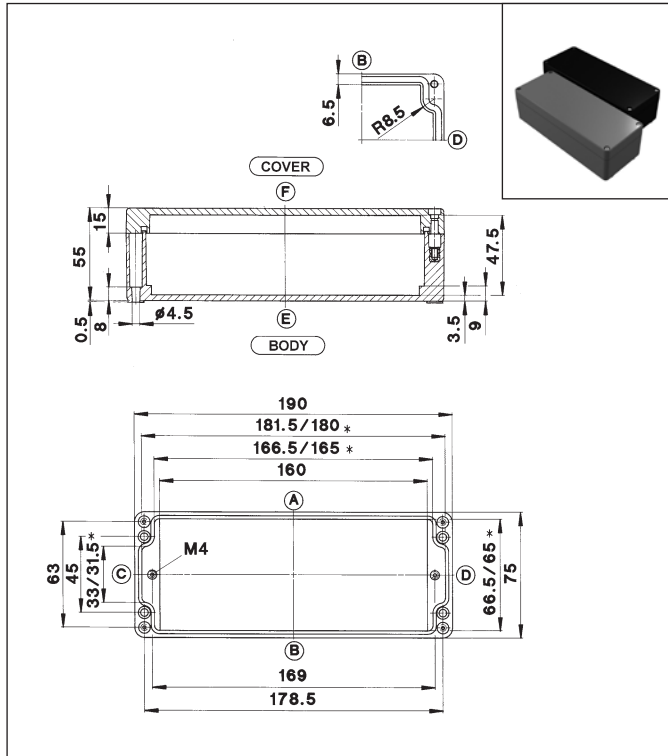
Type	CP-170	CPS-170
Weight (g)	405	405
External dimension (mm)	160 x 75 x 55	
Ordering data Enclosure with seal (PUR)	Part number	
RAL 7000 (squirrel grey), with cover screws	4170000000	
RAL 9005 (jet black), with cover screws	5170000000	
Accessories (individual part or installation kit)		
Mounting plate	9823002000	
Mounting rail TS 15	9820012000	
Mounting rail TS 32	-	
Mounting rail TS 35	-	
Earthing rail	-	
External mounting brackets	9824000000	
External articulated hinges for CP** enclosures	-	
External articulated hinges for CPS** enclosures	-	
Internal articulated hinges with cover guide**	-	
Silicone seal for extended temperature range (by the metre)	on request	
Maximum possible number of threads		
ISO M	12	16 20 25 32 40 50 63
Side A/B	12	5 4 3 0 0 0 0
Side C/D	2	1 1 0 0 0 0 0
** Enclosure preparation required		

* Smaller dimension at mounting plate support

Type	CP-175	CPS-175
Weight (g)	460	460
External dimension (mm)	160 x 75 x 75	
Ordering data Enclosure with seal (PUR)	Part number	
RAL 7000 (squirrel grey), with cover screws	4170000050	
RAL 9005 (jet black), with cover screws	5170000050	
Accessories (individual part or installation kit)		
Mounting plate	9823002000	
Mounting rail TS 15	9820012000	
Mounting rail TS 32	-	
Mounting rail TS 35	-	
Earthing rail	-	
External mounting brackets	9824000000	
External articulated hinges for CP** enclosures	-	
External articulated hinges for CPS** enclosures	-	
Internal articulated hinges with cover guide**	-	
Silicone seal for extended temperature range (by the metre)	on request	
Maximum possible number of threads		
ISO M	12	16 20 25 32 40 50 63
Side A/B	18	10 6 4 3 0 0 0
Side C/D	4	1 1 1 1 0 0 0
** Enclosure preparation required		

190 x 75 x 55 mm

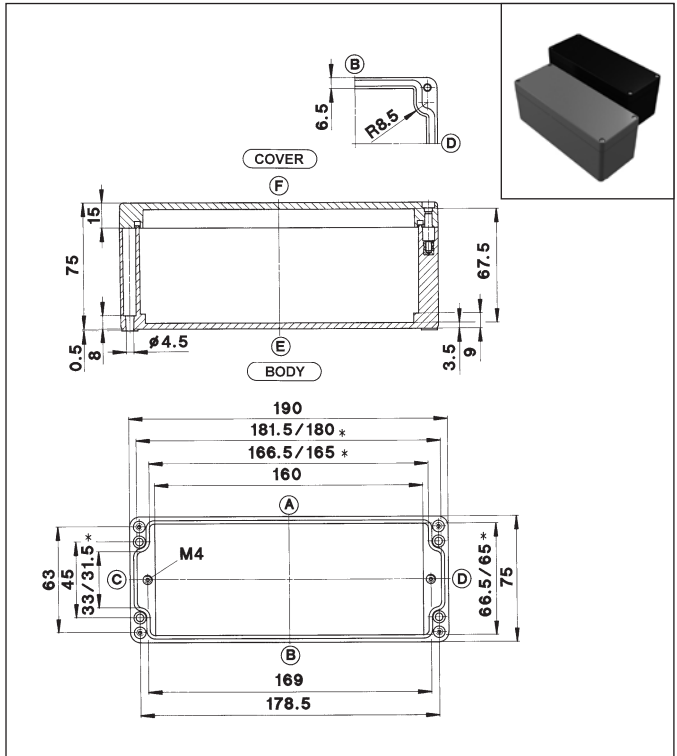
CP-190 RAL 7000 (squirrel grey)
CPS-190 RAL 9005 (jet black)



190 x 75 x 75 mm

CP-195 RAL 7000 (squirrel grey)
CPS-195 RAL 9005 (jet black)

CAD files available
at www.bernstein.eu



* Smaller dimension at mounting plate support

Type	CP-190	CPS-190						
Weight (g)	450	450						
External dimension (mm)	190 x 75 x 55							
Ordering data Enclosure with seal (PUR)	Part number							
RAL 7000 (squirrel grey), with cover screws	4190000000							
RAL 9005 (jet black), with cover screws	5190000000							
Accessories (individual part or installation kit)								
Mounting plate	9823003000							
Mounting rail TS 15	9820015000							
Mounting rail TS 32	-							
Mounting rail TS 35	-							
Earthing rail	-							
External mounting brackets	9824000000							
External articulated hinges for CP** enclosures	-							
External articulated hinges for CPS** enclosures	-							
Internal articulated hinges with cover guide**	-							
Silicone seal for extended temperature range (by the metre)	on request							
Maximum possible number of threads								
ISO M	12	16	20	25	32	40	50	63
Side A/B	16	7	5	4	0	0	0	0
Side C/D	2	1	1	0	0	0	0	0

** Enclosure preparation required

* Smaller dimension at mounting plate support

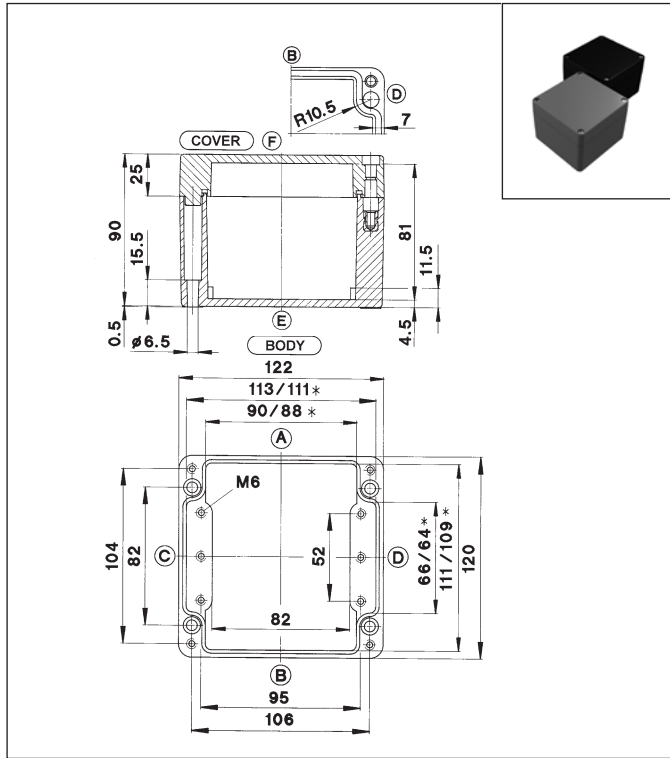
Type	CP-195	CPS-195						
Weight (g)	530	530						
External dimension (mm)	190 x 75 x 75							
Ordering data Enclosure with seal (PUR)	Part number							
RAL 7000 (squirrel grey), with cover screws	4190000050							
RAL 9005 (jet black), with cover screws	5190000050							
Accessories (individual part or installation kit)								
Mounting plate	9823003000							
Mounting rail TS 15	9820015000							
Mounting rail TS 32	-							
Mounting rail TS 35	-							
Earthing rail	-							
External mounting brackets	9824000000							
External articulated hinges for CP** enclosures	-							
External articulated hinges for CPS** enclosures	-							
Internal articulated hinges with cover guide**	-							
Silicone seal for extended temperature range (by the metre)	on request							
Maximum possible number of threads								
ISO M	12	16	20	25	32	40	50	63
Side A/B	24	12	8	4	3	0	0	0
Side C/D	4	1	1	1	1	0	0	0

** Enclosure preparation required

Polyester Enclosures – Series CP

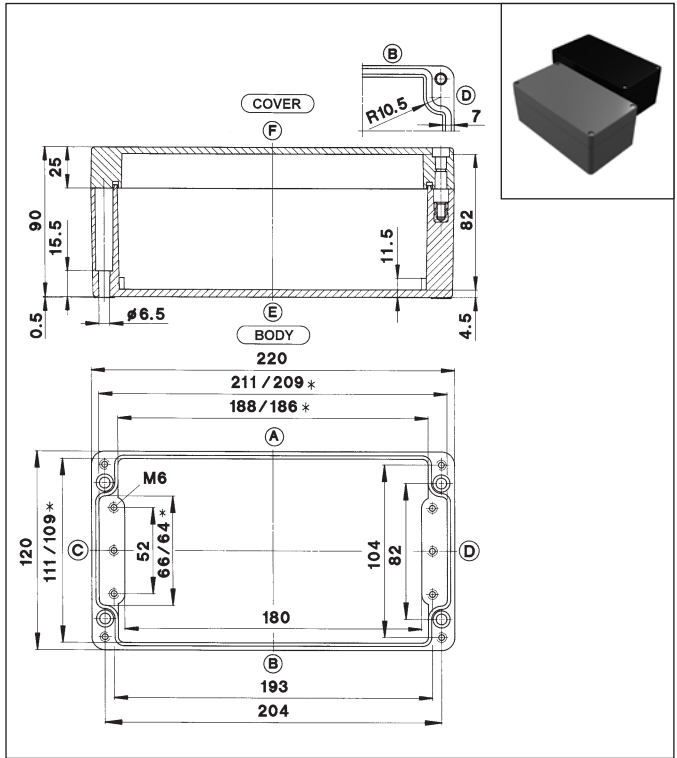
122 x 120 x 90,5 mm

CP-220 RAL 7000 (squirrel grey)
CPS-220 RAL 9005 (jet black)



220 x 120 x 90,5 mm

CP-240 RAL 7000 (squirrel grey)
CPS-240 RAL 9005 (jet black)



* Smaller dimension at mounting plate support

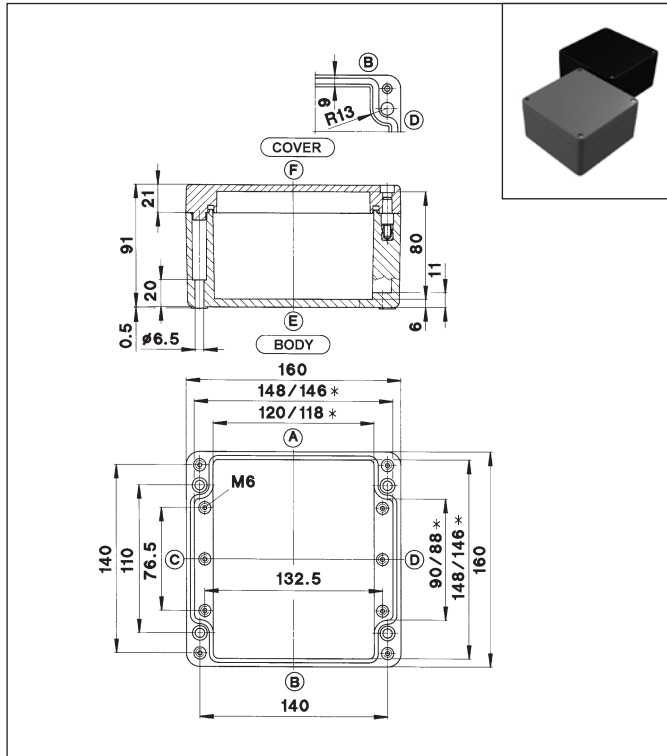
* Smaller dimension at mounting plate support

Type	CP-220	CPS-220						
Weight (g)	750	750						
External dimension (mm)	122 x 120 x 90,5							
Ordering data Enclosure with seal (PUR)	Part number							
RAL 7000 (squirrel grey), with cover screws	4220000000							
RAL 9005 (jet black), with cover screws	5220000000							
Accessories (individual part or installation kit)								
Mounting plate	9823004000							
Mounting rail TS 15	-							
Mounting rail TS 32	9821000000							
Mounting rail TS 35	9822001000							
Earthing rail	9810002000							
External mounting brackets	9824001000							
External articulated hinges for CP** enclosures	9801045000							
External articulated hinges for CPS** enclosures	9801046000							
Internal articulated hinges with cover guide**	-							
Silicone seal for extended temperature range (by the metre)	on request							
Maximum possible number of threads								
ISO M	12	16	20	25	32	40	50	63
Side A/B	13	6	4	3	2	1	0	0
Side C/D	6	3	2	2	1	0	0	0
** Enclosure preparation required								

Type	CP-240	CPS-240						
Weight (g)	1060	1060						
External dimension (mm)	220 x 120 x 90,5							
Ordering data Enclosure with seal (PUR)	Part number							
RAL 7000 (squirrel grey), with cover screws	4240000000							
RAL 9005 (jet black), with cover screws	5240000000							
Accessories (individual part or installation kit)								
Mounting plate	9823005000							
Mounting rail TS 15	-							
Mounting rail TS 32	9821005000							
Mounting rail TS 35	9822007000							
Earthing rail	9810008000							
External mounting brackets	9824001000							
External articulated hinges for CP** enclosures	9801045000							
External articulated hinges for CPS** enclosures	9801046000							
Internal articulated hinges with cover guide**	-							
Silicone seal for extended temperature range (by the metre)	on request							
Maximum possible number of threads								
ISO M	12	16	20	25	32	40	50	63
Side A/B	27	12	9	6	4	3	0	0
Side C/D	6	3	2	2	1	0	0	0
** Enclosure preparation required								

160 x 160 x 91 mm

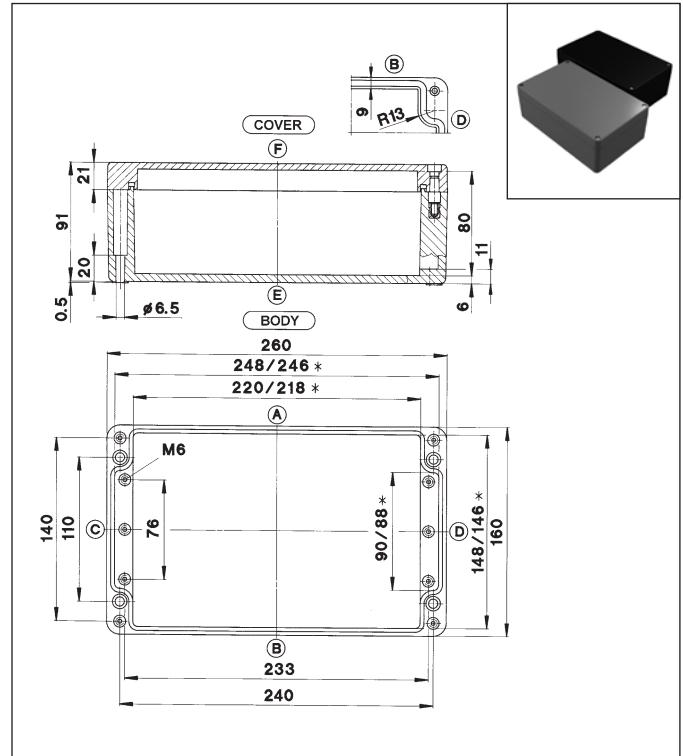
CP-280 RAL 7000 (squirrel grey)
CPS-280 RAL 9005 (jet black)



260 x 160 x 91 mm

CP-300 RAL 7000 (squirrel grey)
CPS-300 RAL 9005 (jet black)

CAD files available
at www.bernstein.eu



* Smaller dimension at mounting plate support

Type	CP-280	CPS-280						
Weight (g)	1130	1130						
External dimension (mm)	160 x 160 x 91							
Ordering data Enclosure with seal (PUR)	Part number							
RAL 7000 (squirrel grey), with cover screws	4280000000							
RAL 9005 (jet black), with cover screws	5280000000							
Accessories (individual part or installation kit)								
Mounting plate	9823006000							
Mounting rail TS 15	-							
Mounting rail TS 32	9821002000							
Mounting rail TS 35	9822003000							
Earthing rail	9810004000							
External mounting brackets	9824004000							
External articulated hinges for CP** enclosures	9801045000							
External articulated hinges for CPS** enclosures	9801046000							
Internal articulated hinges with cover guide**	9801032000							
Silicone seal for extended temperature range (by the metre)	on request							
Maximum possible number of threads								
ISO M	12	16	20	25	32	40	50	63
Side A/B	18	8	6	4	2	2	1	0
Side C/D	9	4	3	2	2	1	0	0

** Enclosure preparation required

* Smaller dimension at mounting plate support

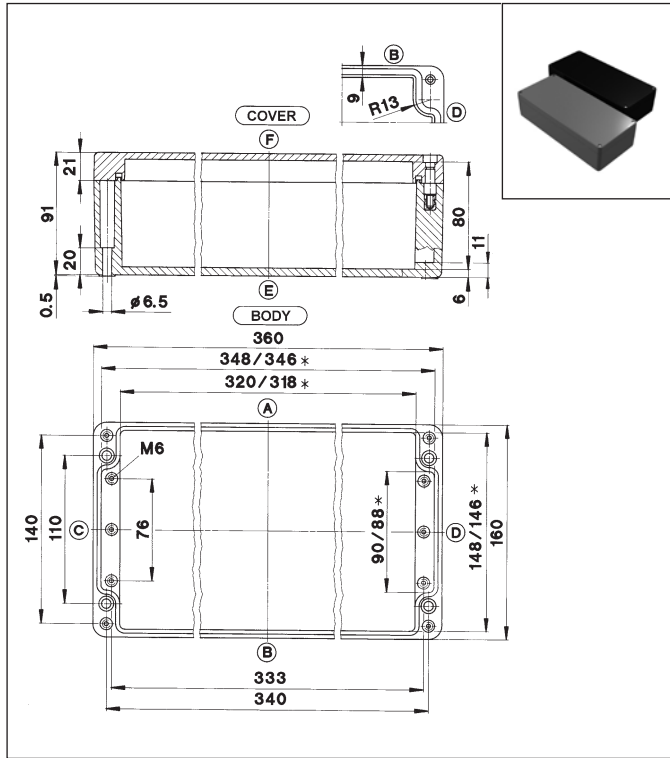
Type	CP-300	CPS-300						
Weight (g)	1710	1710						
External dimension (mm)	260 x 160 x 91							
Ordering data Enclosure with seal (PUR)	Part number							
RAL 7000 (squirrel grey), with cover screws	4300000000							
RAL 9005 (jet black), with cover screws	5300000000							
Accessories (individual part or installation kit)								
Mounting plate	9823007000							
Mounting rail TS 15	-							
Mounting rail TS 32	9821008000							
Mounting rail TS 35	9822011000							
Earthing rail	9810010000							
External mounting brackets	9824004000							
External articulated hinges for CP** enclosures	9801045000							
External articulated hinges for CPS** enclosures	9801046000							
Internal articulated hinges with cover guide**	9801032000							
Silicone seal for extended temperature range (by the metre)	on request							
Maximum possible number of threads								
ISO M	12	16	20	25	32	40	50	63
Side A/B	33	15	12	8	4	3	3	0
Side C/D	9	4	3	2	2	1	0	0

** Enclosure preparation required

Polyester Enclosures – Series CP

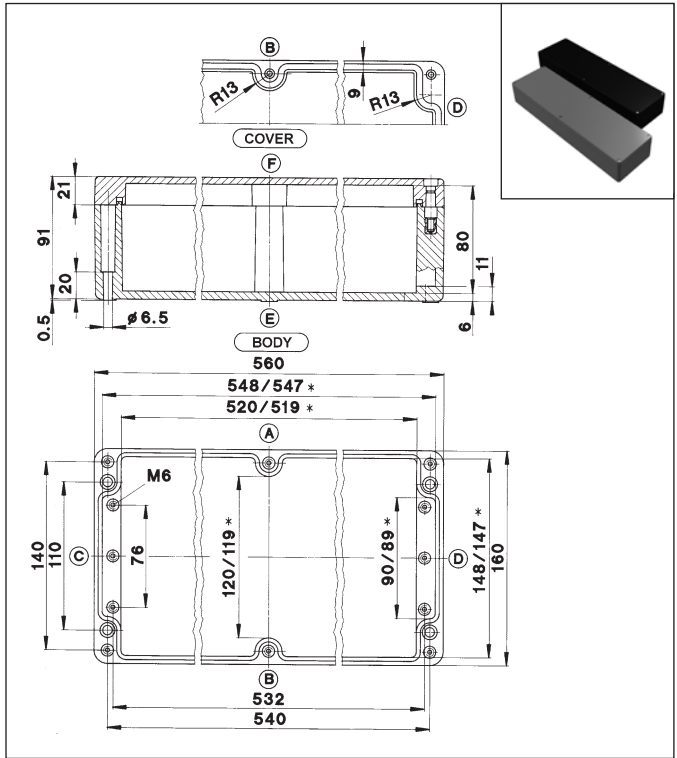
360 x 160 x 91 mm

CP-320 RAL 7000 (squirrel grey)
CPS-320 RAL 9005 (jet black)



560 x 160 x 91 mm

CP-330 RAL 7000 (squirrel grey)
CPS-330 RAL 9005 (jet black)



* Smaller dimension at mounting plate support

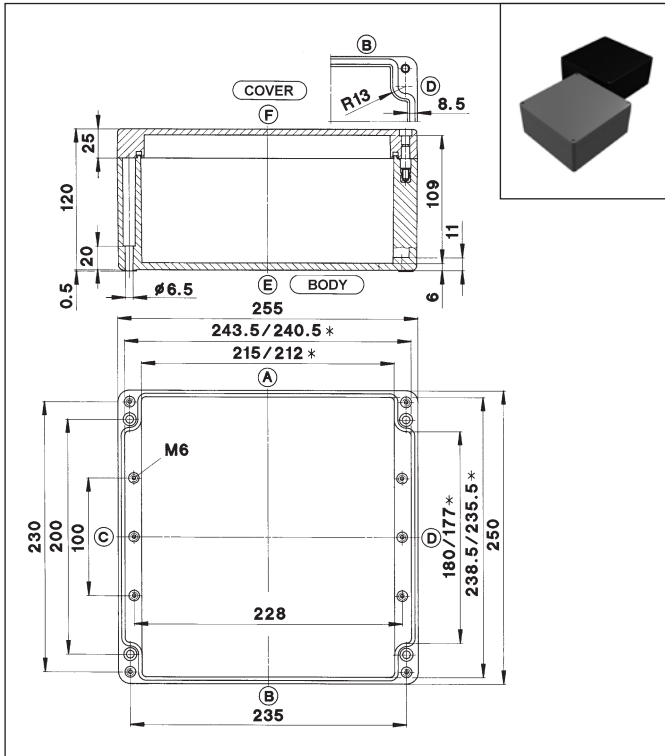
* Smaller dimension at mounting plate support

Type	CP-320	CPS-320
Weight (g)	2150	2150
External dimension (mm)	360 x 160 x 91	
Ordering data Enclosure with seal (PUR)	Part number	
RAL 7000 (squirrel grey), with cover screws	4320000000	
RAL 9005 (jet black), with cover screws	5320000000	
Accessories (individual part or installation kit)		
Mounting plate	9823008000	
Mounting rail TS 15	-	
Mounting rail TS 32	9821012000	
Mounting rail TS 35	9822015000	
Earthing rail	9810014000	
External mounting brackets	9824004000	
External articulated hinges for CP** enclosures	9801045000	
External articulated hinges for CPS** enclosures	9801046000	
Internal articulated hinges with cover guide**	9801032000	
Silicone seal for extended temperature range (by the metre)	on request	
Maximum possible number of threads		
ISO M	12	16 20 25 32 40 50 63
Side A/B	48 23 18 11	7 5 4 0
Side C/D	9 4 3 2 2	1 0 0
** Enclosure preparation required		

Type	CP-330	CPS-330
Weight (g)	3185	3185
External dimension (mm)	560 x 160 x 91	
Ordering data Enclosure with seal (PUR)	Part number	
RAL 7000 (squirrel grey), with cover screws	4330000000	
RAL 9005 (jet black), with cover screws	5330000000	
Accessories (individual part or installation kit)		
Mounting plate	9823085000	
Mounting rail TS 15	-	
Mounting rail TS 32	9821015000	
Mounting rail TS 35	9822018000	
Earthing rail	9810016000	
External mounting brackets	9824004000	
External articulated hinges for CP** enclosures	9801045000	
External articulated hinges for CPS** enclosures	9801046000	
Internal articulated hinges with cover guide**	9801032000	
Silicone seal for extended temperature range (by the metre)	on request	
Maximum possible number of threads		
ISO M	12 16 20 25 32 40 50 63	
Side A/B	76 40 28 18 10 8 6 0	
Side C/D	9 4 3 2 2 1 0 0	
** Enclosure preparation required		

255 x 250 x 120 mm

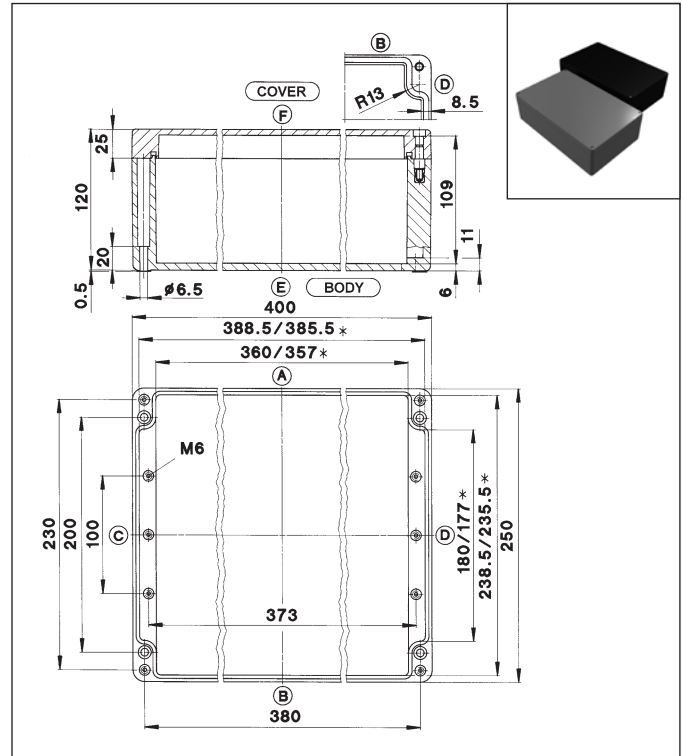
CP-370 RAL 7000 (squirrel grey)
CPS-370 RAL 9005 (jet black)



400 x 250 x 120 mm

CP-400 RAL 7000 (squirrel grey)
CPS-400 RAL 9005 (jet black)

CAD files available
at www.bernstein.eu



* Smaller dimension at mounting plate support

Type	CP-370	CPS-370						
Weight (g)	2650	2650						
External dimension (mm)	255 x 250 x 120							
Ordering data Enclosure with seal (PUR)	Part number							
RAL 7000 (squirrel grey), with cover screws	4370000000							
RAL 9005 (jet black), with cover screws	5370000000							
Accessories (individual part or installation kit)								
Mounting plate	9823009000							
Mounting rail TS 15	-							
Mounting rail TS 32	9821007000							
Mounting rail TS 35	9822010000							
Earthing rail	9810035000							
External mounting brackets	9824011000							
External articulated hinges for CP** enclosures	9801045000							
External articulated hinges for CPS** enclosures	9801046000							
Internal articulated hinges with cover guide**	9801032000							
Silicone seal for extended temperature range (by the metre)	on request							
Maximum possible number of threads								
ISO M	12	16	20	25	32	40	50	63
Side A/B	42	23	17	11	7	4	3	3
Side C/D	32	14	10	16	4	3	2	2
** Enclosure preparation required								

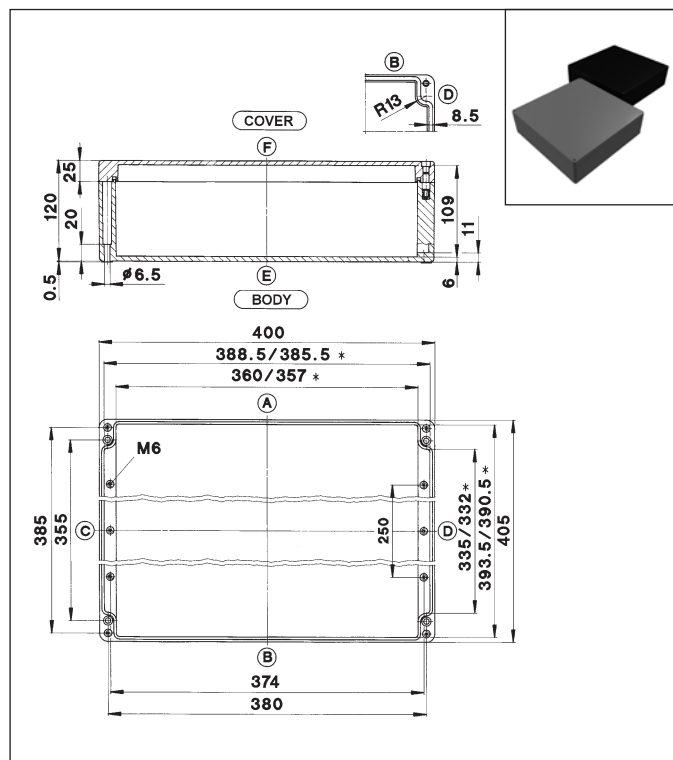
* Smaller dimension at mounting plate support

Type	CP-400	CPS-400						
Weight (g)	3650	3650						
External dimension (mm)	400 x 250 x 120							
Ordering data Enclosure with seal (PUR)	Part number							
RAL 7000 (squirrel grey), with cover screws	4400000000							
RAL 9005 (jet black), with cover screws	5400000000							
Accessories (individual part or installation kit)								
Mounting plate	9823010000							
Mounting rail TS 15	-							
Mounting rail TS 32	9821014000							
Mounting rail TS 35	9822017000							
Earthing rail	9810015000							
External mounting brackets	9824011000							
External articulated hinges for CP** enclosures	9801045000							
External articulated hinges for CPS** enclosures	9801046000							
Internal articulated hinges with cover guide**	9801032000							
Silicone seal for extended temperature range (by the metre)	on request							
Maximum possible number of threads								
ISO M	12	16	20	25	32	40	50	63
Side A/B	74	38	27	17	13	6	5	4
Side C/D	32	14	10	8	4	3	2	2
** Enclosure preparation required								

Polyester Enclosures – Series CP

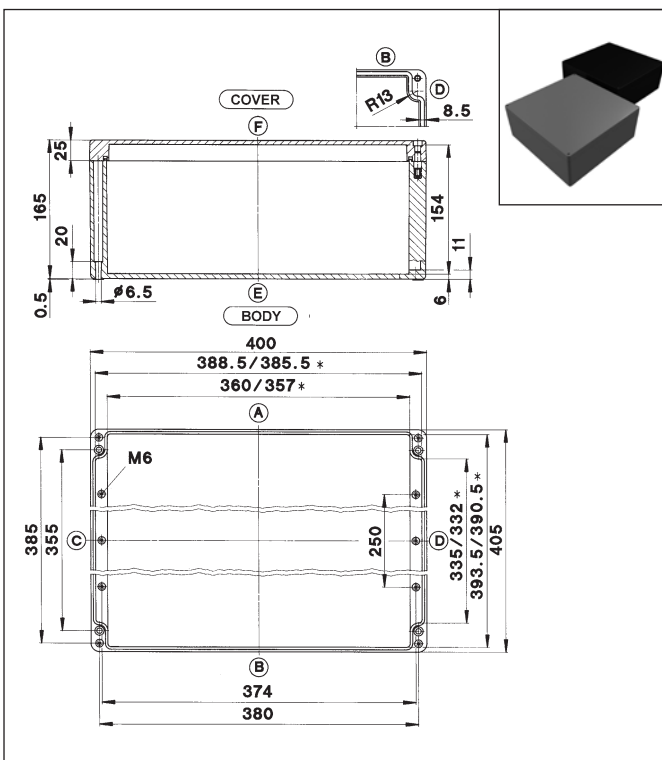
400 x 405 x 120 mm

CP-450 RAL 7000 (squirrel grey)
CPS-450 RAL 9005 (jet black)



400 x 405 x 165 mm

CP-460 RAL 7000 (squirrel grey)
CPS-460 RAL 9005 (jet black)



* Smaller dimension at mounting plate support

Type	CP-450	CPS-450
Weight (g)	5580	5580
External dimension (mm)	400 x 405 x 120	
Ordering data Enclosure with seal (PUR)	Part number	
RAL 7000 (squirrel grey), with cover screws	4450000000	
RAL 9005 (jet black), with cover screws	5450000000	
Accessories (individual part or installation kit)		
Mounting plate	9823011000	
Mounting rail TS 15	-	
Mounting rail TS 32	9821014000	
Mounting rail TS 35	9822017000	
Earthing rail	9810015000	
External mounting brackets	9824012000	
External articulated hinges for CP** enclosures	9801045000	
External articulated hinges for CPS** enclosures	9801046000	
Internal articulated hinges with cover guide**	9801032000	
Silicone seal for extended temperature range (by the metre)	on request	
Maximum possible number of threads		
ISO M	12	16 20 25 32 40 50 63
Side A/B	74	38 27 17 13 6 5 4
Side C/D	57	29 20 15 7 5 4 4
** Enclosure preparation required		

* Smaller dimension at mounting plate support

Type	CP-460	CPS-460
Weight (g)	7740	7740
External dimension (mm)	400 x 405 x 165	
Ordering data Enclosure with seal (PUR)	Part number	
RAL 7000 (squirrel grey), with cover screws	4460000000	
RAL 9005 (jet black), with cover screws	5460000000	
Accessories (individual part or installation kit)		
Mounting plate	9823011000	
Mounting rail TS 15	-	
Mounting rail TS 32	9821014000	
Mounting rail TS 35	9822017000	
Earthing rail	9810015000	
External mounting brackets	9824012000	
External articulated hinges for CP** enclosures	9801045000	
External articulated hinges for CPS** enclosures	9801046000	
Internal articulated hinges with cover guide**	9801032000	
Silicone seal for extended temperature range (by the metre)	on request	
Maximum possible number of threads		
ISO M	12	16 20 25 32 40 50 63
Side A/B	105	56 40 27 20 10 9 8
Side C/D	92	45 30 23 12 9 6 5
** Enclosure preparation required		