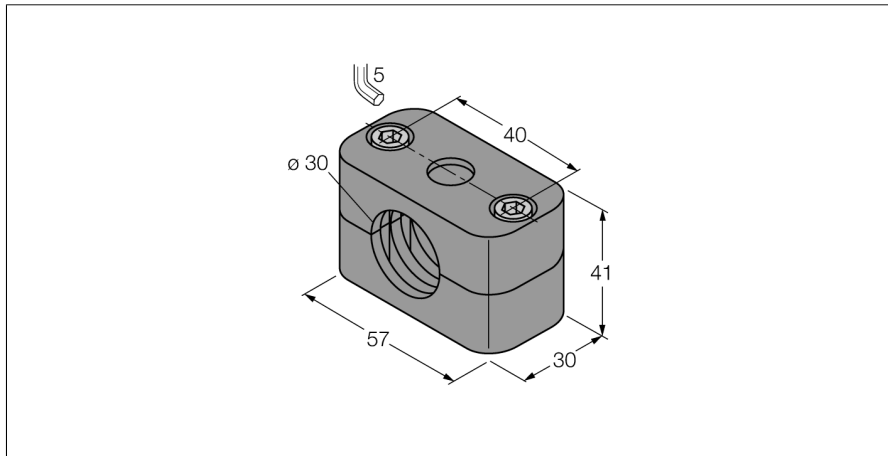


Accessories BSS-30

TURCK

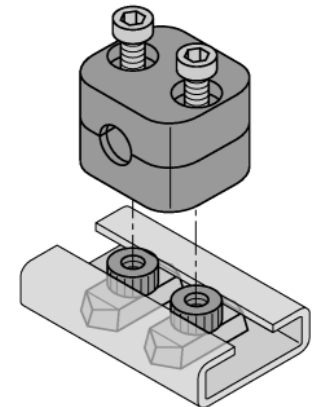
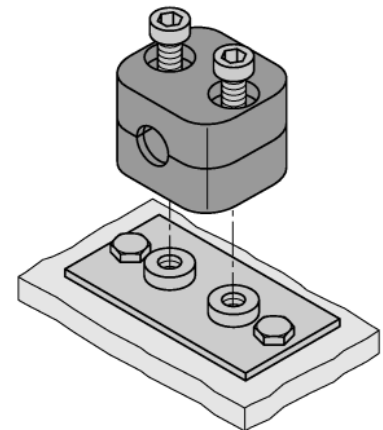
Industrial
Automation



- Mounting accessories for M30x1.5 threaded barrel sensors
- Plastics, polypropylene

General description

The portfolio consists of two half-shells and two Allen screws each. Optionally, welding plates or DIN rail nuts can be used (to be ordered separately).



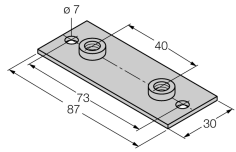
Type designation	BSS-30
Ident no.	6901319
Design	Accessories for threaded barrel, M30
Dimensions	30 x 57 x 41 mm
Housing material	Plastic, PP, Green
Max. tightening torque housing nut	1 Nm
Included in delivery	2 x Allen screws, M6

Accessories BSS-30

TURCK

Industrial
Automation

Accessories

Type code	Ident no.	Description	
BSS-SPV4	6901347	Weld-on plate for BSS mounting bracket, long	
BSS-TSM 2 pcs	6901323	DIN rail nut for BSS mounting bracket	