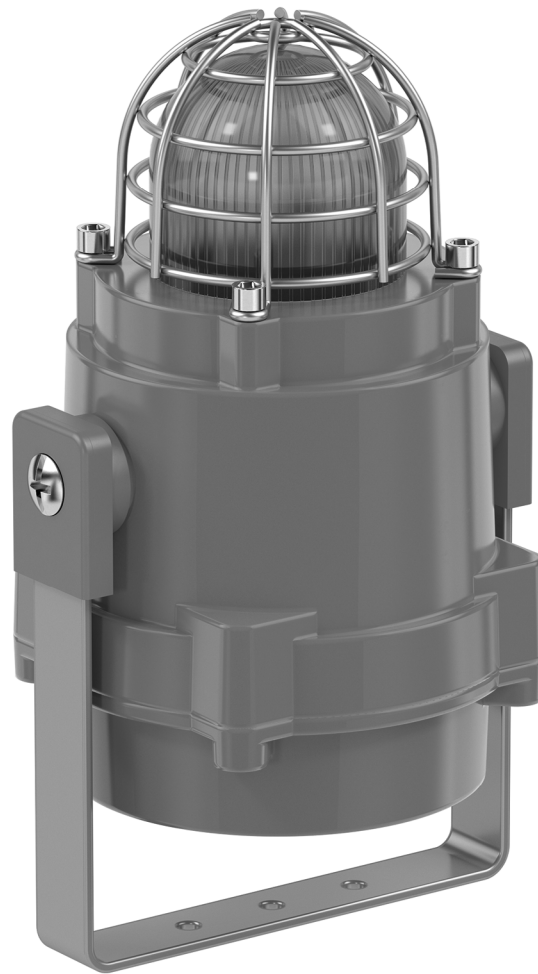


## Features

- Automatic synchronisation with systems operation
- Beacons can be set to 'flip-flop' alternating mode with other units on multi-beacon systems
- Glass lens and stainless steel guard
- Degree of protection IP66 / IP67
- Marine grade and corrosion proof LM6 aluminium enclosure
- Ratchet adjustable stainless steel 'U' bracket
- Reverse polarity diode fitted
- UV stable PC field replaceable lens colour filter
- Xenon tube mechanically secured against shock and vibrations

## Assembly



## Technical data

### Electrical specifications

Operating voltage	240 V AC , 115 V AC , 24 V DC , further on request
Terminal capacity	0.5 ... 2.5 mm <sup>2</sup>
Line monitoring	blocking diode included EOL resistors (AC) or diodes (DC) available on request
Function	flashing beacon
Lens color	red , amber , blue , green , further on request
Energy	5 J
Flash rate	1 Hz
Luminous intensity, peak, calculated	500000 cd , calculated from energy
Luminous intensity, peak, measured	39463 cd , measured according to I.E.S.
Effective luminous intensity, calculated	250 cd , calculated from energy
Effective luminous intensity, measured	120 cd , measured according to I.E.S.
Illuminant, type	xenon tube
Illuminant, life	Luminous intensity reduced to 70% after 5 million flashes

### Mechanical specifications

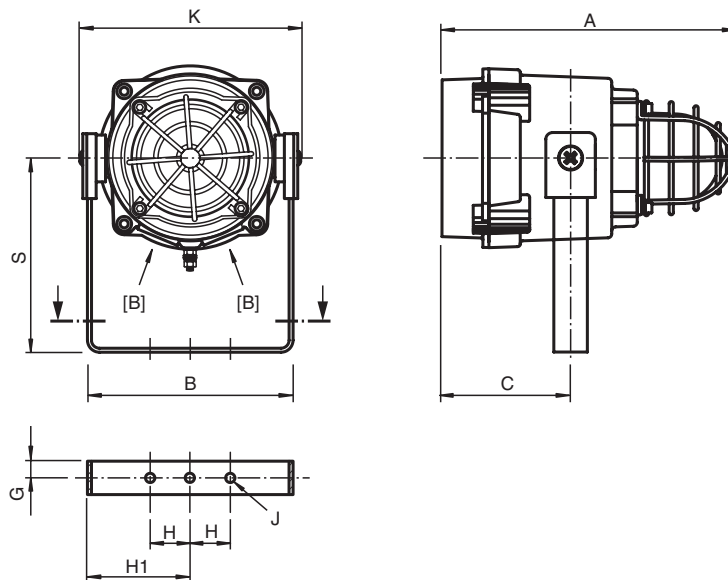
Degree of protection	IP66/IP67
Cable entry face B	
M20 quantity	2
M20 type	metric ISO pitch 1.5 mm
M20 info	Stopping Plug 1x brass nickel-plated
Material	
Enclosure	Aluminum LM6
Finish	chromated, powder coated RAL 3000 (red)
Mounting bracket	stainless steel 1.4301 / AISI 304
Mass	DC: 2.45 kg , AC: 2.75 kg
Dimensions	
External dimension (A)	246 mm

Release date 2019-06-12 07:00 Date of issue 2019-06-12 t190276\_eng.xml

Refer to "General Notes Relating to Pepperl+Fuchs Product Information".

External dimension (B)	153.6 mm
External dimension (C)	100 mm
Mounting holes distance (G)	12.5 mm
Mounting holes distance (H)	30 mm
Mounting holes distance (H1)	76.8 mm
Mounting holes diameter (J)	7 mm
Depth mounting frame (S)	145 mm
Maximum external dimension (K)	165 mm
Grounding	external grounding bolt M5
<b>Ambient conditions</b>	
Ambient temperature	-50 ... 70 °C (-58 ... 158 °F)
<b>Data for application in connection with hazardous areas</b>	
EU-type examination certificate	KEMA 00 ATEX 2006 X
Marking	Ⓧ II 2 GD Ex d IIC T* Gb Ex tb IIIC T** °C Db T5 @ Ta +45 °C , T4 @ Ta +70 °C T90 °C @ Ta +40 °C , T105 °C @ Ta +55 °C , T120 °C @ Ta +70 °C
<b>International approvals</b>	
IECEX approval	IECEX KEM 10.0002X
INMETRO	10-IEEx-0010
EAC approval	RU C-GB.AA71.B.00109
<b>Conformity</b>	
Degree of protection	EN 60529
<b>General information</b>	
Scope of delivery	device , 1 Stopping Plug , Instruction leaflet
Supplementary information	EC-Type Examination Certificate, Statement of Conformity, Declaration of Conformity, Attestation of Conformity and instructions have to be observed where applicable. For information see <a href="http://www.pepperl-fuchs.com">www.pepperl-fuchs.com</a> .

**Dimensions**



**Legend**

A	Height
B	Width
C	Depth
G	Mounting holes distance
H	Mounting holes distance
H1	Mounting holes distance from edge of bracket

Release date 2019-06-12 07:00 Date of issue 2019-06-12 t190276\_eng.xml

Refer to "General Notes Relating to Pepperl+Fuchs Product Information".

Pepperl+Fuchs Group  
www.pepperl-fuchs.com

USA: +1 330 486 0002  
pa-info@us.pepperl-fuchs.com

Germany: +49 621 776 2222  
pa-info@de.pepperl-fuchs.com

Singapore: +65 6779 9091  
pa-info@sg.pepperl-fuchs.com

J	Mounting holes diameter
K	Maximum outer dimension with bracket
K1	Maximum outer dimension with horn
S	Depth of mounting bracket
[A] ... [B]	Cable entry faces

Dimension values see technical data table.

Image and drawing are generic for this device type and may deviate from the specific variant.