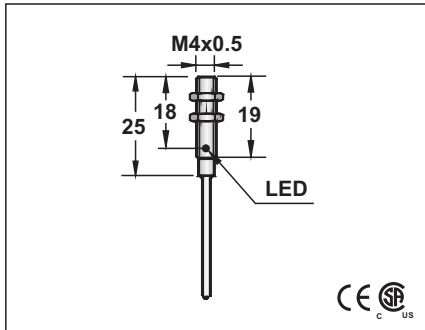


DC ULTRA-MINI TYPE INDUCTIVE PROXIMITY SWITCH

M4
●
0.8 mm 1.0 mm
stainless steel
●



10-30VDC or 5-36VDC	
<10%	
<10mA	
200mA	
<0.01mA	
-	
-	
<1.5V	
2KHZ	
0.1ms/0.1ms	
<15%(Sr)	
<1.0%(Sr)	
IP67	
-25°C - +70°C	
<10%(Sr)	
YES	
220mA	
<10ms	
RFI>3V/m / EFT>1KV / ESD>4KV (contact)	
IEC 60947-5-2, Part 7.4.1 / IEC 60947-5-2, Part 7.4.2	
POM	

FCU1-040.8N-A3U2	1	LCU1-0401N-A3U2
FCU1-040.8N-B3U2	2	LCU1-0401N-B3U2
FCU1-040.8P-A3U2	3	LCU1-0401P-A3U2
FCU1-040.8P-B3U2	4	LCU1-0401P-B3U2

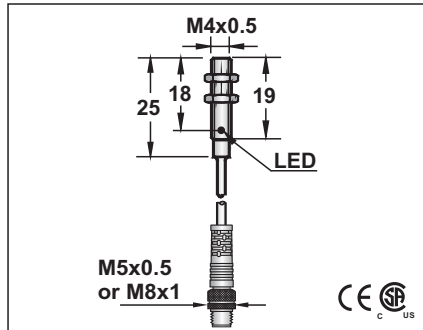
FCU1-040.8NU	21	FCU1-0401NU
--------------	----	-------------

ICU1-040.8N-A3U2	1	ICU1-0401N-A3U2
ICU1-040.8N-B3U2	2	ICU1-0401N-B3U2
ICU1-040.8P-A3U2	3	ICU1-0401P-A3U2
ICU1-040.8P-B3U2	4	ICU1-0401P-B3U2

NAMUR type specifications see page 23

2.3 φ 3x0.15	
Approx.22 g	

M4
●
0.8 mm
stainless steel
●



10-30VDC or 5-36VDC	
<10%	
<10mA	
200mA	
<0.01mA	
-	
-	
<1.5V	
2KHZ	
0.1ms/0.1ms	
<15%(Sr)	
<1.0%(Sr)	
IP67	
-25°C - +70°C	
<10%(Sr)	
YES	
220mA	
<10ms	
RFI>3V/m / EFT>1KV / ESD>4KV (contact)	
IEC 60947-5-2, Part 7.4.1 / IEC 60947-5-2, Part 7.4.2	
POM	

FCU1-040.8N-A3U0.2/P5	25	FCU1-040.8N-A3U0.2/P8	29
FCU1-040.8N-B3U0.2/P5	26	FCU1-040.8N-B3U0.2/P8	30
FCU1-040.8P-A3U0.2/P5	27	FCU1-040.8P-A3U0.2/P8	31
FCU1-040.8P-B3U0.2/P5	28	FCU1-040.8P-B3U0.2/P8	32

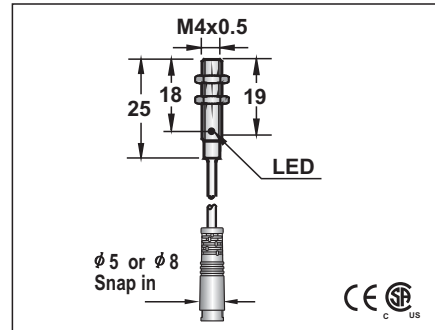
FCU1-040.8NU/P5	21	FCU1-040.8NU/P8	21
-----------------	----	-----------------	----

ICU1-040.8N-A3U0.2/P5	25	ICU1-040.8N-A3U0.2/P8	29
ICU1-040.8N-B3U0.2/P5	26	ICU1-040.8N-B3U0.2/P8	30
ICU1-040.8P-A3U0.2/P5	27	ICU1-040.8P-A3U0.2/P8	31
ICU1-040.8P-B3U0.2/P5	28	ICU1-040.8P-B3U0.2/P8	32

FCU***/P5
└─ M5 Pigtail mode
FCU***/P8
└─ M8 Pigtail mode

2.3 φ 3x0.15	
Approx.30 g	Approx.31 g

M4
●
0.8 mm
stainless steel
●



10-30VDC or 5-36VDC	
<10%	
<10mA	
200mA	
<0.01mA	
-	
-	
<1.5V	
2KHZ	
0.1ms/0.1ms	
<15%(Sr)	
<1.0%(Sr)	
IP67	
-25°C - +70°C	
<10%(Sr)	
YES	
220mA	
<10ms	
RFI>3V/m / EFT>1KV / ESD>4KV (contact)	
IEC 60947-5-2, Part 7.4.1 / IEC 60947-5-2, Part 7.4.2	
POM	

FCU1-040.8N-A3U0.2/SN5	25	FCU1-040.8N-A3U0.2/SN8	29
FCU1-040.8N-B3U0.2/SN5	26	FCU1-040.8N-B3U0.2/SN8	30
FCU1-040.8P-A3U0.2/SN5	27	FCU1-040.8P-A3U0.2/SN8	31
FCU1-040.8P-B3U0.2/SN5	28	FCU1-040.8P-B3U0.2/SN8	32

FCU1-040.8NU/SN5	21	FCU1-040.8NU/SN8	21
------------------	----	------------------	----

ICU1-040.8N-A3U0.2/SN5	25	ICU1-040.8N-A3U0.2/SN8	29
ICU1-040.8N-B3U0.2/SN5	26	ICU1-040.8N-B3U0.2/SN8	30
ICU1-040.8P-A3U0.2/SN5	27	ICU1-040.8P-A3U0.2/SN8	31
ICU1-040.8P-B3U0.2/SN5	28	ICU1-040.8P-B3U0.2/SN8	32

FCU***/SN5
└─ φ 5 Pigtail mode
FCU***/SN8
└─ φ 8 Pigtail mode

2.3 φ 3x0.15	
Approx.30 g	Approx.31 g

Note:
Coming Soon : Part numbers with underline