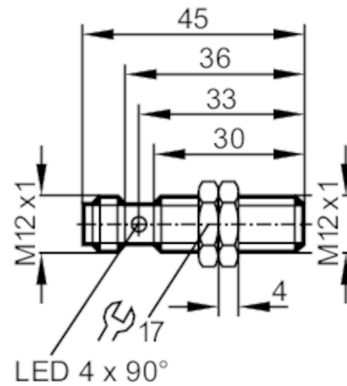


IF5994



Inductive sensor

IFB2002-FRKG/US-104-IRF



Made in Germany

Electrical data	
Operating voltage [V]	10...36 DC
Protection class	II
Reverse polarity protection	yes
Outputs	
Output function	normally open / normally closed; (selectable)
Max. voltage drop switching output DC [V]	4.6
Minimum load current [mA]	4
Max. leakage current [mA]	0.8
Permanent current rating of switching output DC [mA]	150
Switching frequency DC [Hz]	1200
Electrical design	PNP/NPN
Short-circuit protection	yes
Type of short-circuit protection	pulsed
Overload protection	yes
Range	
Sensing range [mm]	2
Real sensing range S_r [mm]	$2 \pm 10\%$
Operating distance [mm]	0...1.6
Accuracy / deviations	
Correction factor	steel: 1 / stainless steel: 0.7 / brass: 0.5 / aluminium: 0.4 / copper: 0.3
Hysteresis [% of S_r]	3...15
Switch point drift [% of S_r]	-10...10
Operating conditions	
Ambient temperature [°C]	-25...80
Protection	IP 67

IF5994



Inductive sensor

IFB2002-FRKG/US-104-IRF

Tests / approvals		
EMC	EN 60947-5-2 EN 55011	class B
MTTF [years]	2330	
Mechanical data		
Weight [g]	24.8	
Housing	threaded type	
Mounting	flush mountable	
Dimensions [mm]	M12 x 1 / L = 45	
Thread designation	M12 x 1	
Materials	brass white bronze coated; PC	
Displays / operating elements		
Display	switching status	4 x 90° LED, yellow
Accessories		
Accessories (supplied)	lock nuts: 2	
Remarks		
Pack quantity	1 pcs.	

Electrical connection - plug

Connector: 1 x M12



normally open

