

Fuses for Semiconductor Protection

North American and European Standard Type SQB


Sizes 1, 2, 3 and 4



SIBA square body fuses type SQB are available in four different body sizes. Each size is available in various mounting styles for global applications. Variety in body sizes, mounting style and amp ratings allow maximum flexibility in equipment design.

SIBA SQB fuses provide superior engineering for the protection of today's power semiconductors. The silica-ated process, together with special shape and form of the pure silver melting elements, give excellent results of low I^2t -values and high interrupting ratings. They are also the most reliable under high cyclic loading conditions.

All fuses can be fitted with microswitches.

Approvals:	 Recognition
Standards:	DIN 43653 DIN VDE 0636-40 IEC 60269-4 UL 248-13
Class:	aR
Voltage ratings:	AC 700 V / AC 1300 V
Current ratings:	50 to 3000 A
Sizes:	1, 2, 3 and 4
Tested at:	acc. IEC - $1.1 \times U_n$ acc. UL - $1.0 \times U_n$

Features / Benefits

- ▶ High interrupting rating 200 kA
- ▶ Very low I^2t -values
- ▶ Voltage ratings AC 690/700 V and AC 1250/1300 V
- ▶ Satisfies for North American and European standard
- ▶ Reliable also at high cyclic loading
- ▶ Fuse-bases and accessories are available



Fuses for Semiconductor Protection

North American and European Standard Type SQB Sizes 1, 2, 3 and 4

Selection Guide

AC 690/700 V

Size	Rated Voltage [V]	Design	Indicator Type	Part No.	Type	Selector Guide [Page]	Techn. Data [Page]
1	690/700	US-Type short	without	20 617 31	SQB 1	URS 5	URS 70
1	690/700	US-Type short	fitting for micro switch	20 616 32	SQB 1	URS 6	URS 70
2	690/700	US-Type short	without	20 627 31	SQB 2	URS 7	URS 71
2	690/700	US-Type short	fitting for micro switch	20 626 32	SQB 2	URS 8	URS 71
3	690/700	US-Type short	without	20 637 31	SQB 3	URS 9	URS 72
3	690/700	US-Type short	fitting for micro switch	20 636 32	SQB 3	URS 10	URS 72
1	690/700	US-Type long	without	20 619 31	SQB 1	URS 11	URS 70
1	690/700	US-Type long	fitting for micro switch	20 618 32	SQB 1	URS 12	URS 70
2	690/700	US-Type long	without	20 629 31	SQB 2	URS 13	URS 71
2	690/700	US-Type long	fitting for micro switch	20 628 32	SQB 2	URS 14	URS 71
3	690/700	US-Type long	without	20 639 31	SQB 3	URS 15	URS 72
3	690/700	US-Type long	fitting for micro switch	20 638 32	SQB 3	URS 16	URS 72
1	690/700	UNC threads	without	20 663 31	SQB 1	URS 17	URS 70
1	690/700	UNC threads	fitting for micro switch	20 664 32	SQB 1	URS 18	URS 70
2	690/700	UNC threads	without	20 673 31	SQB 2	URS 19	URS 71
2	690/700	UNC threads	fitting for micro switch	20 674 32	SQB 2	URS 20	URS 71
3	690/700	UNC threads	without	20 683 31	SQB 3	URS 21	URS 72
3	690/700	UNC threads	fitting for micro switch	20 684 32	SQB 3	URS 22	URS 72
1	690/700	80 mm Fix. Center	without	20 610 31	SQB 1	URS 23	URS 70
1	690/700	80 mm Fix. Center	fitting for micro switch	20 612 32	SQB 1	URS 24	URS 70
2	690/700	80 mm Fix. Center	without	20 620 31	SQB 2	URS 25	URS 71
2	690/700	80 mm Fix. Center	fitting for micro switch	20 622 32	SQB 2	URS 26	URS 71
3	690/700	80 mm Fix. Center	without	20 630 31	SQB 3	URS 27	URS 72
3	690/700	80 mm Fix. Center	fitting for micro switch	20 632 32	SQB 3	URS 28	URS 73
1	690/700	110 mm Fix. Center	without	20 613 31	SQB 1	URS 29	URS 70
1	690/700	110 mm Fix. Center	fitting for micro switch	20 615 32	SQB 1	URS 30	URS 70
2	690/700	110 mm Fix. Center	without	20 623 31	SQB 2	URS 31	URS 70
2	690/700	110 mm Fix. Center	fitting for micro switch	20 625 32	SQB 2	URS 32	URS 71
3	690/700	110 mm Fix. Center	without	20 633 31	SQB 3	URS 33	URS 72
3	690/700	110 mm Fix. Center	fitting for micro switch	20 635 32	SQB 3	URS 34	URS 72
1	690/700	Metric threads	without	20 660 31	SQB 1	URS 35	URS 70
1	690/700	Metric threads	fitting for micro switch	20 661 32	SQB 1	URS 36	URS 70
2	690/700	Metric threads	without	20 670 31	SQB 2	URS 37	URS 71
2	690/700	Metric threads	fitting for micro switch	20 671 32	SQB 2	URS 38	URS 71
3	690/700	Metric threads	without	20 680 31	SQB 3	URS 39	URS 72
3	500/550	Metric threads	without	20 680 52	SQB 3	URS 39	URS 73
3	690/700	Metric threads	fitting for micro switch	20 681 32	SQB 3	URS 40	URS 72
3	500/550	Metric threads	fitting for micro switch	20 681 52	SQB 3	URS 40	URS 73
4	690	Metric threads	fitting for micro switch	20 695 32	SQB 4	URS 41	
2	690/700	Double Body	fitting for micro switch	20 678 32	SQB 2-2	URS 42	URS 74
3	690/700	Double Body	fitting for micro switch	20 688 32	SQB 3-2	URS 43	URS 75



Fuses for Semiconductor Protection

North American and European Standard Type SQB Sizes 1, 2, 3 and 4

Selection Guide

AC 1250/1300 V

Size	Rated Voltage [V]	Design	Indicator Type	Part No.	Type	Selector Guide [Page]	Techn. Data [Page]
1	1250/1300	US-Type long	without	20 719 31	SQB 1	URS 44	URS 76
1	1250/1300	US-Type long	fitting for micro switch	20 718 32	SQB 1	URS 45	URS 76
2	1250/1300	US-Type long	without	20 729 31	SQB 2	URS 46	URS 77
2	1250/1300	US-Type long	fitting for micro switch	20 728 32	SQB 2	URS 47	URS 77
3	1250/1300	US-Type long	without	20 739 31	SQB 3	URS 48	URS 78
3	1250/1300	US-Type long	fitting for micro switch	20 738 32	SQB 3	URS 49	URS 78
1	1250/1300	UNC threads	without	20 763 31	SQB 1	URS 50	URS 76
1	1250/1300	UNC threads	fitting for micro switch	20 764 32	SQB 1	URS 51	URS 76
2	1250/1300	UNC threads	without	20 773 31	SQB 2	URS 52	URS 77
2	1250/1300	UNC threads	fitting for micro switch	20 774 32	SQB 2	URS 53	URS 77
3	1250/1300	UNC threads	without	20 783 31	SQB 3	URS 54	URS 78
3	1250/1300	UNC threads	fitting for micro switch	20 784 32	SQB 3	URS 55	URS 78
3	1250/1300	UNC threads	fitting for micro switch	20 784 52	SQB 3	URS 55	URS 78
1	1250/1300	110 mm Fix. Center	without	20 713 31	SQB 1	URS 56	URS 76
1	1250/1300	110 mm Fix. Center	fitting for micro switch	20 715 32	SQB 1	URS 57	URS 76
2	1250/1300	110 mm Fix. Center	without	20 723 31	SQB 2	URS 58	URS 77
2	1250/1300	110 mm Fix. Center	fitting for micro switch	20 725 32	SQB 2	URS 59	URS 77
3	1250/1300	110 mm Fix. Center	without	20 733 31	SQB 3	URS 60	URS 78
3	1250/1300	110 mm Fix. Center	fitting for micro switch	20 735 32	SQB 3	URS 61	URS 78
1	1250/1300	Metric threads	without	20 760 31	SQB 1	URS 62	URS 76
1	1250/1300	Metric threads	fitting for micro switch	20 761 32	SQB 1	URS 63	URS 76
2	1250/1300	Metric threads	without	20 770 31	SQB 2	URS 64	URS 77
2	1250/1300	Metric threads	fitting for micro switch	20 771 32	SQB 2	URS 65	URS 77
3	1250/1300	Metric threads	without	20 780 31	SQB 3	URS 66	URS 78
3	1250/1300	Metric threads	fitting for micro switch	20 781 32	SQB 3	URS 67	URS 78
3	1250/1300	Metric threads	fitting for micro switch	20 781 52	SQB 3	URS 67	URS 78
2	1250/1300	Metric threads	Double Body	20 778 32	SQB 2-2	URS 68	URS 79
3	1250/1300	Metric threads	Double Body	20 788 32	SQB 3-2	URS 69	URS 80



Fuses for Semiconductor Protection
North American and European Standard Type SQB Sizes 1, 2, 3 and 4

Selection Guide Fuse-Base

Rated Voltage [V]	Fixing Center [mm]	Rated Current [A]	Part No.	Techn. Data [Page]
900	80	630	21 313 01	URS 81
1 400	110	630	21 323 01	URS 81
900	80	1 250	21 313 02	URS 82
1 400	110	1 250	21 323 02	URS 82

Selection Guide Micro Switch

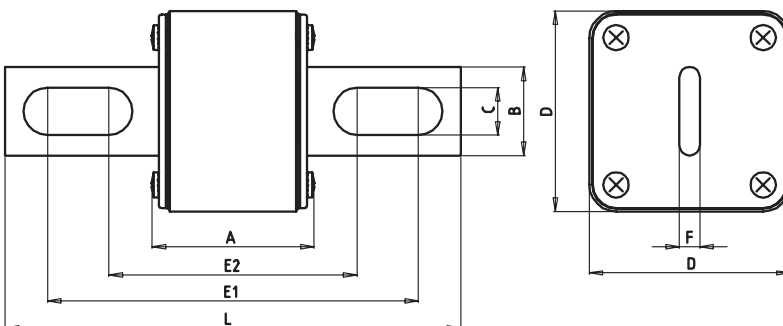
Type	Rated Voltage DC [V]	Part No.	Selector Guide [Page]
B-Switch	250	28 003 10	URS 83
B-Switch	250	28 003 11	URS 83
B-Switch	250	28 003 12	URS 83
B-Switch	250	28 003 20	URS 83
B-Switch	250	28 003 21	URS 83
B-Switch	250	28 003 22	URS 83
B-Switch	250	28 004 10	URS 83
B-Switch	250	28 004 11	URS 83
B-Switch	250	28 004 12	URS 83
B-Switch	250	28 004 20	URS 83
B-Switch	250	28 004 21	URS 83
B-Switch	250	28 004 22	URS 83
M-Switch	250	28 001 04	URS 84



Fuses for Semiconductor Protection
North American and European Standard Type SQB

Size **SQB1** Rated Voltage **AC 600-690/700 V** Standard **US-Type Short**

Rated Current [A]	Part No.	UL Rec.	Rated Voltage [V]	Weight [kg/1]	Pack
63	20 617 31.63	✓	690/700	0.52	3
80	20 617 31.80	✓	690/700	0.52	3
100	20 617 31.100	✓	690/700	0.52	3
125	20 617 31.125	✓	690/700	0.52	3
160	20 617 31.160	✓	690/700	0.52	3
200	20 617 31.200	✓	690/700	0.52	3
250	20 617 31.250	✓	690/700	0.52	3
315	20 617 31.315	✓	690/700	0.52	3
350	20 617 31.350	✓	690/700	0.52	3
400	20 617 31.400	✓	690/700	0.52	3
450	20 617 31.450	✓	690/700	0.52	3
500	20 617 31.500	✓	690/700	0.52	3
550	20 617 31.550	✓	690/700	0.52	3
630	20 617 31.630	✓	690/700	0.52	3
700	20 617 31.700	✓	690/700	0.52	3
800	20 617 31.800	✓	690/700	0.52	3
900	20 617 31.900	✓	600	0.52	3



Techn. Data
Page URS 70

A	1.87" (47.5 mm)
B	1.02" (26 mm)
C	0.55" (14 mm)
D	2.00" (51 mm)
E1	4.29" (109 mm)
E2	2.87" (73 mm)
F	0.24" (6 mm)
L	5.28" (134 mm)



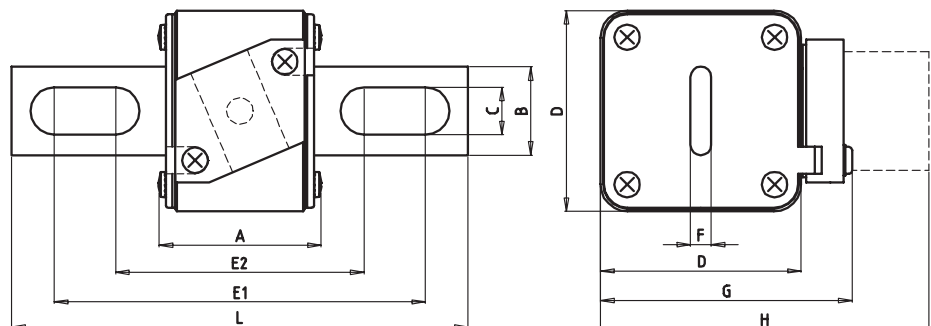
Fuses for Semiconductor Protection
North American and European Standard Type SQB

Size **SQB1** Rated Voltage **AC 600-690/700 V** Micro Switch Fitting Standard **US-Type Short**

Rated Current [A]	Part No.	UL Rec.	Rated Voltage [V]	Weight [kg/1]	Pack
63	20 616 32.63	✓	690/700	0.52	3
80	20 616 32.80	✓	690/700	0.52	3
100	20 616 32.100	✓	690/700	0.52	3
125	20 616 32.125	✓	690/700	0.52	3
160	20 616 32.160	✓	690/700	0.52	3
200	20 616 32.200	✓	690/700	0.52	3
250	20 616 32.250	✓	690/700	0.52	3
315	20 616 32.315	✓	690/700	0.52	3
350	20 616 32.350	✓	690/700	0.52	3
400	20 616 32.400	✓	690/700	0.52	3
450	20 616 32.450	✓	690/700	0.52	3
500	20 616 32.500	✓	690/700	0.52	3
550	20 616 32.550	✓	690/700	0.52	3
630	20 616 32.630	✓	690/700	0.52	3
700	20 616 32.700	✓	690/700	0.52	3
800	20 616 32.800	✓	690/700	0.52	3
900	20 616 32.900		600	0.52	3

Techn. Data
Page URS 70

- A** 1.87" (47.5 mm)
- B** 1.02" (26 mm)
- C** 0.55" (14 mm)
- D** 2.00" (51 mm)
- E1** 4.29" (109 mm)
- E2** 2.87" (73 mm)
- F** 0.24" (6 mm)
- G** 2.60" (66 mm)
- H** 3.50" (89 mm)
- L** 5.28" (134 mm)

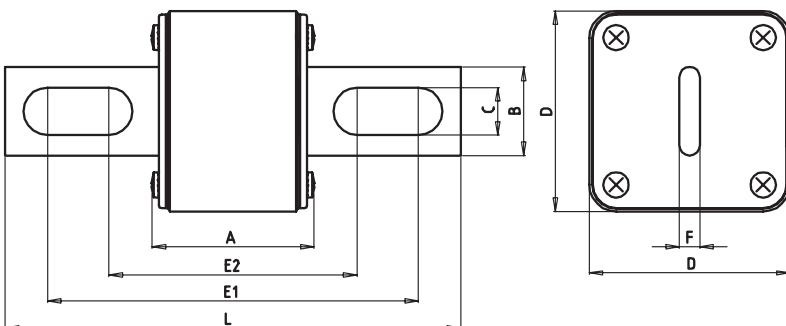




Fuses for Semiconductor Protection
North American and European Standard Type SQB

Size **SQB2** Rated Voltage **AC 600-690/700 V** Standard **US-Type Short**

Rated Current [A]	Part No.	UL Rec.	Rated Voltage [V]	Weight [kg/1]	Pack
400	20 627 31.400	✓	690/700	0.60	3
450	20 627 31.450	✓	690/700	0.60	3
500	20 627 31.500	✓	690/700	0.60	3
550	20 627 31.550	✓	690/700	0.60	3
630	20 627 31.630	✓	690/700	0.60	3
700	20 627 31.700	✓	690/700	0.60	3
800	20 627 31.800	✓	690/700	0.60	3
900	20 627 31.900	✓	690/700	0.60	3
1 000	20 627 31.1000	✓	690/700	0.60	3
1 100	20 627 31.1100	✓	600	0.60	3
1 250	20 627 31.1250	✓	600	0.60	3



Techn. Data
Page URS 71

A	1.87" (47.5 mm)
B	1.02" (26 mm)
C	0.55" (14 mm)
D	2.36" (60 mm)
E1	4.30" (109 mm)
E2	2.87" (73 mm)
F	0.24" (6 mm)
L	5.28" (134 mm)



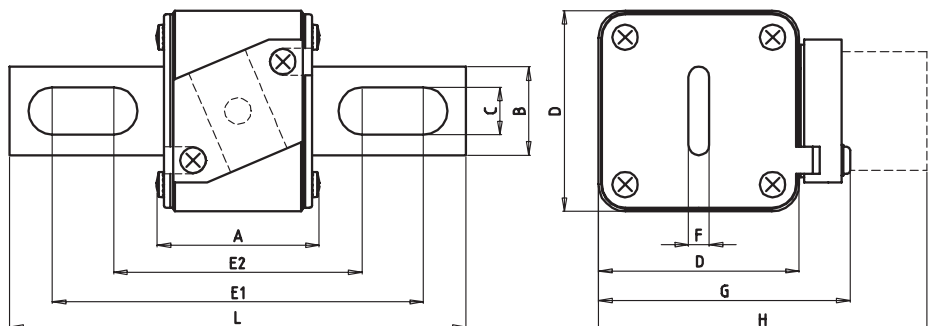
Fuses for Semiconductor Protection
North American and European Standard Type SQB

Size **SQB2** Rated Voltage **AC 600-690/700 V** Micro Switch Fitting Standard **US-Type Short**

Rated Current [A]	Part No.	UL Rec.	Rated Voltage [V]	Weight [kg/1]	Pack
400	20 626 32.400	✓	690/700	0.60	3
450	20 626 32.450	✓	690/700	0.60	3
500	20 626 32.500	✓	690/700	0.60	3
550	20 626 32.550	✓	690/700	0.60	3
630	20 626 32.630	✓	690/700	0.60	3
700	20 626 32.700	✓	690/700	0.60	3
800	20 626 32.800	✓	690/700	0.60	3
900	20 626 32.900	✓	690/700	0.60	3
1 000	20 626 32.1000	✓	690/700	0.60	3
1 100	20 626 32.1100	✓	600	0.60	3
1 250	20 626 32.1250	✓	600	0.60	3

Techn. Data
Page URS 71

- A** 1.87" (47.5 mm)
- B** 1.02" (26 mm)
- C** 0.55" (14 mm)
- D** 2.36" (60 mm)
- E1** 4.30" (109 mm)
- E2** 2.87" (73 mm)
- F** 0.24" (6 mm)
- G** 2.95" (75 mm)
- H** 3.86" (98 mm)
- L** 5.28" (134 mm)

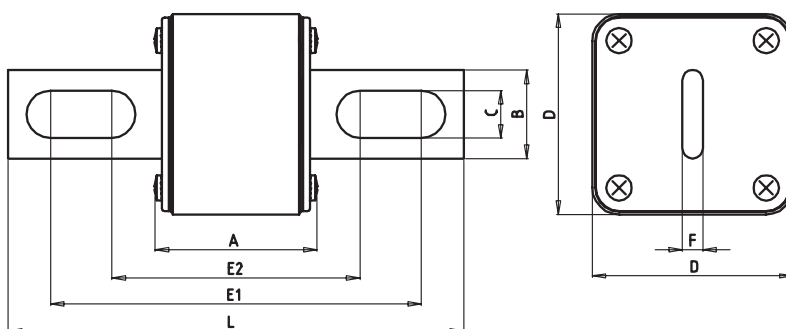




Fuses for Semiconductor Protection
North American and European Standard Type SQB

Size **SQB3** Rated Voltage **AC 600-690/700 V** Standard **US-Type Short**

Rated Current [A]	Part No.	UL Rec.	Rated Voltage [V]	Weight [kg/1]	Pack
500	20 637 31.500	✓	690/700	0.80	3
550	20 637 31.550	✓	690/700	0.80	3
630	20 637 31.630	✓	690/700	0.80	3
700	20 637 31.700	✓	690/700	0.80	3
800	20 637 31.800	✓	690/700	0.80	3
900	20 637 31.900	✓	690/700	0.80	3
1 000	20 637 31.1000	✓	690/700	0.80	3
1 100	20 637 31.1100	✓	690/700	0.80	3
1 250	20 637 31.1250	✓	690/700	0.80	3
1 400	20 637 31.1400	✓	690/700	0.80	3
1 500	20 637 31.1500		600	0.80	3
1 600	20 637 31.1600		600	0.80	3



Techn. Data
Page URS 72

A	1.93" (49 mm)
B	1.38" (35 mm)
C	0.63" (16 mm)
D	2.87" (73 mm)
E1	4.30" (109 mm)
E2	2.95" (75 mm)
F	0.24" (6 mm)
L	5.28" (134 mm)



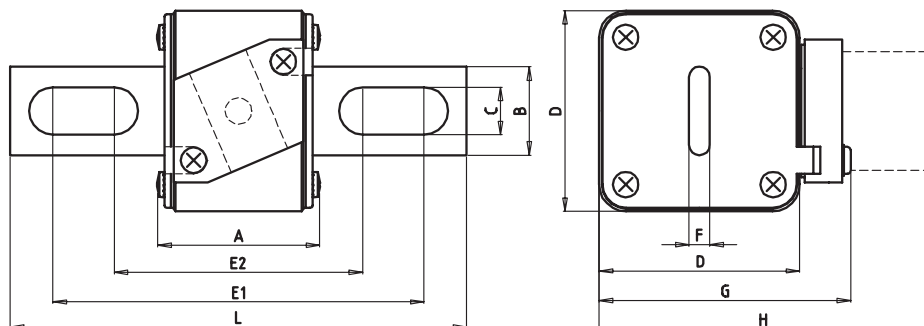
Fuses for Semiconductor Protection
North American and European Standard Type SQB

Size **SQB3** Rated Voltage **AC 600-690/700 V** Micro Switch Fitting Standard **US-Type Short**

Rated Current [A]	Part No.	UL Rec.	Rated Voltage [V]	Weight [kg/1]	Pack
500	20 636 32.500	✓	690/700	0.80	3
550	20 636 32.550	✓	690/700	0.80	3
630	20 636 32.630	✓	690/700	0.80	3
700	20 636 32.700	✓	690/700	0.80	3
800	20 636 32.800	✓	690/700	0.80	3
900	20 636 32.900	✓	690/700	0.80	3
1 000	20 636 32.1000	✓	690/700	0.80	3
1 100	20 636 32.1100	✓	690/700	0.80	3
1 250	20 636 32.1250	✓	690/700	0.80	3
1 400	20 636 32.1400	✓	690/700	0.80	3
1 500	20 636 32.1500		600	0.80	3
1 600	20 636 32.1600		600	0.80	3

Techn. Data
Page URS 72

- A** 1.93" (49 mm)
- B** 1.38" (35 mm)
- C** 0.63" (16 mm)
- D** 2.87" (73 mm)
- E1** 4.30" (109 mm)
- E2** 2.95" (75 mm)
- F** 0.24" (6 mm)
- G** 3.46" (88 mm)
- H** 4.37" (111 mm)
- L** 5.28" (134 mm)

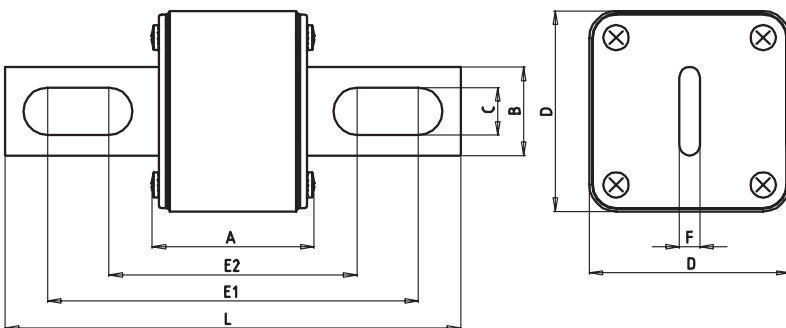




Fuses for Semiconductor Protection
North American and European Standard Type SQB

Size **SQB1** Rated Voltage **AC 600-690/700 V** Standard **US-Type Long**

Rated Current [A]	Part No.	UL Rec.	Rated Voltage [V]	Weight [kg/1]	Pack
63	20 619 31.63	✓	690/700	0.52	3
80	20 619 31.80	✓	690/700	0.52	3
100	20 619 31.100	✓	690/700	0.52	3
125	20 619 31.125	✓	690/700	0.52	3
160	20 619 31.160	✓	690/700	0.52	3
200	20 619 31.200	✓	690/700	0.52	3
250	20 619 31.250	✓	690/700	0.52	3
315	20 619 31.315	✓	690/700	0.52	3
350	20 619 31.350	✓	690/700	0.52	3
400	20 619 31.400	✓	690/700	0.52	3
450	20 619 31.450	✓	690/700	0.52	3
500	20 619 31.500	✓	690/700	0.52	3
550	20 619 31.550	✓	690/700	0.52	3
630	20 619 31.630	✓	690/700	0.52	3
700	20 619 31.700	✓	690/700	0.52	3
800	20 619 31.800	✓	690/700	0.52	3
900	20 619 31.900	✓	600	0.52	3



Techn. Data
Page URS 70

A	1.87" (47.5 mm)
B	1.02" (26 mm)
C	0.55" (14 mm)
D	2.00" (51 mm)
E1	5.04" (128 mm)
E2	3.62" (92 mm)
F	0.24" (6 mm)
L	6.06" (154 mm)



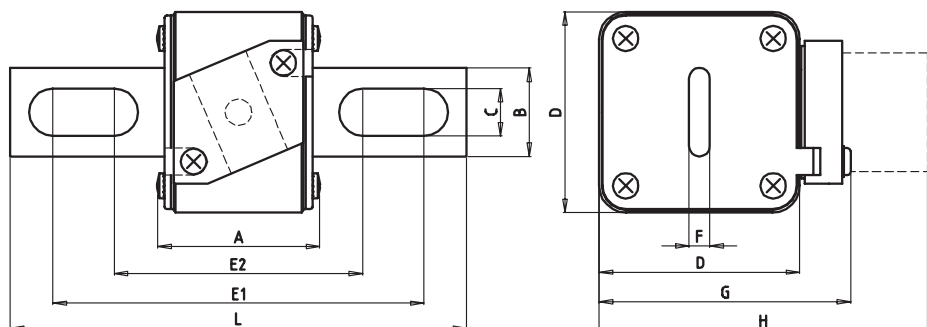
Fuses for Semiconductor Protection
North American and European Standard Type SQB

Size **SQB1** Rated Voltage **AC 600-690/700 V** Micro Switch Fitting Standard **US-Type Long**

Rated Current [A]	Part No.	UL Rec.	Rated Voltage [V]	Weight [kg/1]	Pack
63	20 618 32.63	✓	690/700	0.52	3
80	20 618 32.80	✓	690/700	0.52	3
100	20 618 32.100	✓	690/700	0.52	3
125	20 618 32.125	✓	690/700	0.52	3
160	20 618 32.160	✓	690/700	0.52	3
200	20 618 32.200	✓	690/700	0.52	3
250	20 618 32.250	✓	690/700	0.52	3
315	20 618 32.315	✓	690/700	0.52	3
350	20 618 32.350	✓	690/700	0.52	3
400	20 618 32.400	✓	690/700	0.52	3
450	20 618 32.450	✓	690/700	0.52	3
500	20 618 32.500	✓	690/700	0.52	3
550	20 618 32.550	✓	690/700	0.52	3
630	20 618 32.630	✓	690/700	0.52	3
700	20 618 32.700	✓	690/700	0.52	3
800	20 618 32.800	✓	690/700	0.52	3
900	20 618 32.900		600	0.52	3

Techn. Data
Page URS 70

- A** 1.87" (47.5 mm)
- B** 1.02" (26 mm)
- C** 0.55" (14 mm)
- D** 2.01" (51 mm)
- E1** 5.04" (128 mm)
- E2** 3.62" (92 mm)
- F** 0.24" (6 mm)
- G** 2.60" (66 mm)
- H** 3.50" (98 mm)
- L** 6.06" (154 mm)

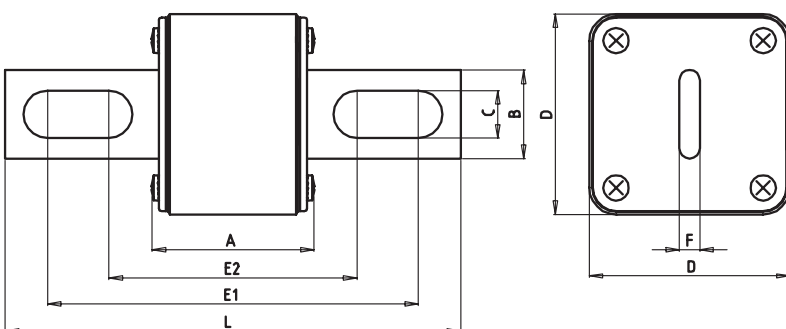




Fuses for Semiconductor Protection
North American and European Standard Type SQB

Size **SQB2** Rated Voltage **AC 600-690/700 V** Standard **US-Type Long**

Rated Current [A]	Part No.	UL Rec.	Rated Voltage [V]	Weight [kg/1]	Pack
400	20 629 31.400	✓	690/700	0.60	3
450	20 629 31.450	✓	690/700	0.60	3
500	20 629 31.500	✓	690/700	0.60	3
550	20 629 31.550	✓	690/700	0.60	3
630	20 629 31.630	✓	690/700	0.60	3
700	20 629 31.700	✓	690/700	0.60	3
800	20 629 31.800	✓	690/700	0.60	3
900	20 629 31.900	✓	690/700	0.60	3
1 000	20 629 31.1000	✓	690/700	0.60	3
1 100	20 629 31.1100	✓	600	0.60	3
1 250	20 629 31.1250	✓	600	0.60	3



Techn. Data
Page URS 71

A	1.87" (47.5 mm)
B	1.02" (26 mm)
C	0.55" (14 mm)
D	2.36" (60 mm)
E1	5.04" (128 mm)
E2	3.62" (92 mm)
F	0.24" (6 mm)
L	6.06" (154 mm)



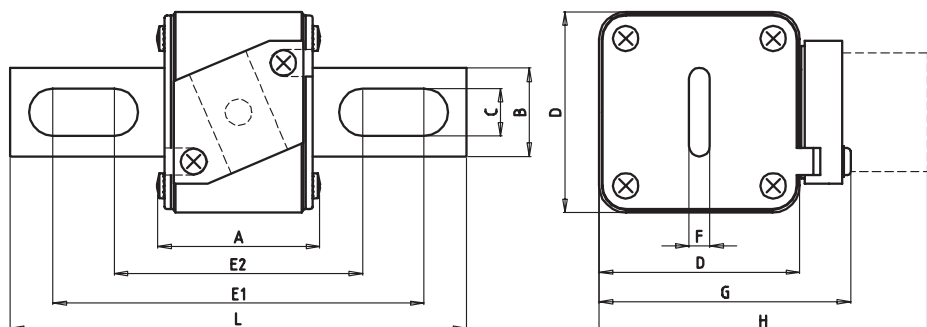
Fuses for Semiconductor Protection
North American and European Standard Type SQB

Size **SQB2** Rated Voltage **AC 600-690/700 V** Micro Switch Fitting Standard **US-Type Long**

Rated Current [A]	Part No.	UL Rec.	Rated Voltage [V]	Weight [kg/1]	Pack
400	20 628 32.400	✓	690/700	0.60	3
450	20 628 32.450	✓	690/700	0.60	3
500	20 628 32.500	✓	690/700	0.60	3
550	20 628 32.550	✓	690/700	0.60	3
630	20 628 32.630	✓	690/700	0.60	3
700	20 628 32.700	✓	690/700	0.60	3
800	20 628 32.800	✓	690/700	0.60	3
900	20 628 32.900	✓	690/700	0.60	3
1 000	20 628 32.1000	✓	690/700	0.60	3
1 100	20 628 32.1100	✓	600	0.60	3
1 250	20 628 32.1250	✓	600	0.60	3

Techn. Data
Page URS 71

- A** 1.87" (47.5 mm)
- B** 1.02" (26 mm)
- C** 0.55" (14 mm)
- D** 2.36" (60 mm)
- E1** 5.04" (128 mm)
- E2** 3.62" (92 mm)
- F** 0.24" (6 mm)
- G** 2.95" (75 mm)
- H** 3.86" (98 mm)
- L** 6.06" (154 mm)

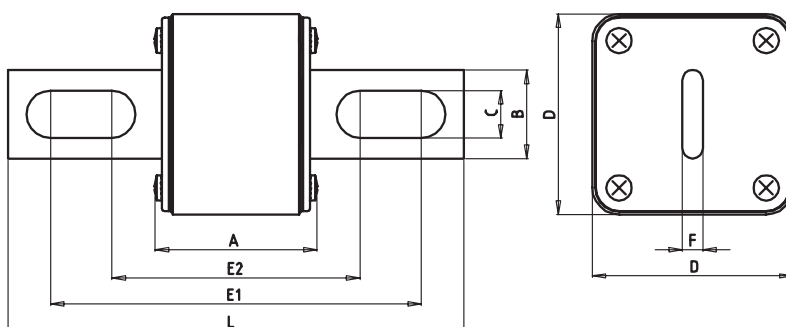




Fuses for Semiconductor Protection
North American and European Standard Type SQB

Size **SQB3** Rated Voltage **AC 600-690/700 V** Standard **US-Type Long**

Rated Current [A]	Part No.	UL Rec.	Rated Voltage [V]	Weight [kg/1]	Pack
500	20 639 31.500	✓	690/700	0.80	3
550	20 639 31.550	✓	690/700	0.80	3
630	20 639 31.630	✓	690/700	0.80	3
700	20 639 31.700	✓	690/700	0.80	3
800	20 639 31.800	✓	690/700	0.80	3
900	20 639 31.900	✓	690/700	0.80	3
1 000	20 639 31.1000	✓	690/700	0.80	3
1 100	20 639 31.1100	✓	690/700	0.80	3
1 250	20 639 31.1250	✓	690/700	0.80	3
1 400	20 639 31.1400	✓	690/700	0.80	3
1 500	20 639 31.1500		600	0.80	3
1 600	20 639 31.1600		600	0.80	3



Techn. Data
Page URS 72

A	1.93" (49 mm)
B	1.38" (35 mm)
C	0.63" (16 mm)
D	2.87" (73 mm)
E1	5.04" (128 mm)
E2	3.70" (94 mm)
F	0.24" (6 mm)
L	6.06" (154 mm)



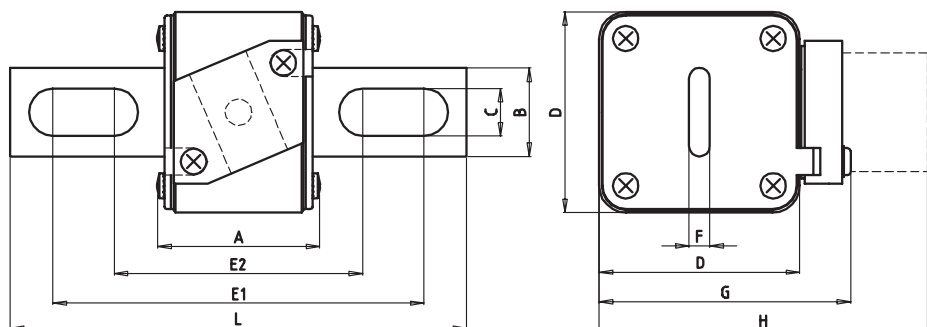
Fuses for Semiconductor Protection
North American and European Standard Type SQB

Size **SQB3** Rated Voltage **AC 600-690/700 V** Micro Switch Fitting Standard **US-Type Long**

Rated Current [A]	Part No.	UL Rec.	Rated Voltage [V]	Weight [kg/1]	Pack
500	20 638 32.500	✓	690/700	0.80	3
550	20 638 32.550	✓	690/700	0.80	3
630	20 638 32.630	✓	690/700	0.80	3
700	20 638 32.700	✓	690/700	0.80	3
800	20 638 32.800	✓	690/700	0.80	3
900	20 638 32.900	✓	690/700	0.80	3
1 000	20 638 32.1000	✓	690/700	0.80	3
1 100	20 638 32.1100	✓	690/700	0.80	3
1 250	20 638 32.1250	✓	690/700	0.80	3
1 400	20 638 32.1400	✓	690/700	0.80	3
1 500	20 638 32.1500		600	0.80	3
1 600	20 638 32.1600		600	0.80	3

Techn. Data
Page URS 72

- A** 1.93" (49 mm)
- B** 1.38" (35 mm)
- C** 0.63" (16 mm)
- D** 2.87" (73 mm)
- E1** 5.04" (128 mm)
- E2** 3.70" (94 mm)
- F** 0.24" (6 mm)
- G** 3.46" (88 mm)
- H** 4.37" (111 mm)
- L** 6.06" (154 mm)

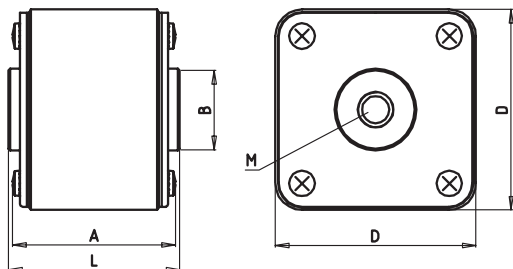




Fuses for Semiconductor Protection
North American and European Standard Type SQB

Size **SQB1** Rated Voltage **AC 600-690/700 V** Standard **UNC Threads**

Rated Current [A]	Part No.	UL Rec.	Rated Voltage [V]	Weight [kg/1]	Pack
63	20 663 31.63	✓	690/700	0.50	3
80	20 663 31.80	✓	690/700	0.50	3
100	20 663 31.100	✓	690/700	0.50	3
125	20 663 31.125	✓	690/700	0.50	3
160	20 663 31.160	✓	690/700	0.50	3
200	20 663 31.200	✓	690/700	0.50	3
250	20 663 31.250	✓	690/700	0.50	3
315	20 663 31.315	✓	690/700	0.50	3
350	20 663 31.350	✓	690/700	0.50	3
400	20 663 31.400	✓	690/700	0.50	3
450	20 663 31.450	✓	690/700	0.50	3
500	20 663 31.500	✓	690/700	0.50	3
550	20 663 31.550	✓	690/700	0.50	3
630	20 663 31.630	✓	690/700	0.50	3
700	20 663 31.700	✓	690/700	0.50	3
800	20 663 31.800	✓	690/700	0.50	3
900	20 663 31.900	✓	600	0.50	3



Techn. Data
Page URS 70

A	1.87" (47.5 mm)
B	0.94" (24 mm)
D	2.00" (51 mm)
L	2.00" (51 mm)
M	5/16"



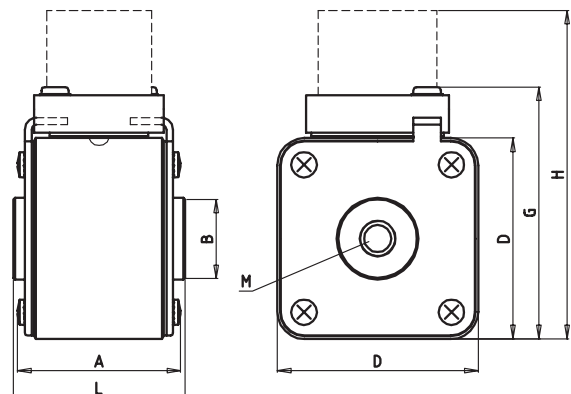
Fuses for Semiconductor Protection
North American and European Standard Type SQB

Size **SQB1** Rated Voltage **AC 600-690/700 V** Micro Switch Fitting Standard **UNC Threads**

Rated Current [A]	Part No.	UL Rec.	Rated Voltage [V]	Weight [kg/1]	Pack
63	20 664 32.63	✓	690/700	0.50	3
80	20 664 32.80	✓	690/700	0.50	3
100	20 664 32.100	✓	690/700	0.50	3
125	20 664 32.125	✓	690/700	0.50	3
160	20 664 32.160	✓	690/700	0.50	3
200	20 664 32.200	✓	690/700	0.50	3
250	20 664 32.250	✓	690/700	0.50	3
315	20 664 32.315	✓	690/700	0.50	3
350	20 664 32.350	✓	690/700	0.50	3
400	20 664 32.400	✓	690/700	0.50	3
450	20 664 32.450	✓	690/700	0.50	3
500	20 664 32.500	✓	690/700	0.50	3
550	20 664 32.550	✓	690/700	0.50	3
630	20 664 32.630	✓	690/700	0.50	3
700	20 664 32.700	✓	690/700	0.50	3
800	20 664 32.800	✓	690/700	0.50	3
900	20 664 32.900		600	0.50	3

Techn. Data
Page URS 70

- A** 1.87" (47.5 mm)
- B** 0.94" (24 mm)
- D** 2.00" (51 mm)
- G** 2.60" (66 mm)
- H** 3.50" (89 mm)
- L** 2.00" (51 mm)
- M** 5/16"

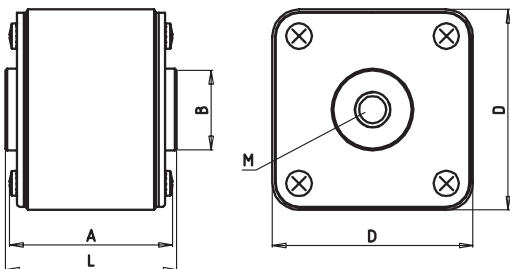




Fuses for Semiconductor Protection
North American and European Standard Type SQB

Size **SQB2** Rated Voltage **AC 600-690/700 V** Standard **UNC Threads**

Rated Current [A]	Part No.	UL Rec.	Rated Voltage [V]	Weight [kg/1]	Pack
400	20 673 31.400	✓	690/700	0.50	3
450	20 673 31.450	✓	690/700	0.50	3
500	20 673 31.500	✓	690/700	0.50	3
550	20 673 31.550	✓	690/700	0.50	3
630	20 673 31.630	✓	690/700	0.50	3
700	20 673 31.700	✓	690/700	0.50	3
800	20 673 31.800	✓	690/700	0.50	3
900	20 673 31.900	✓	690/700	0.50	3
1 000	20 673 31.1000	✓	690/700	0.50	3
1 100	20 673 31.1100	✓	600	0.50	3
1 250	20 673 31.1250	✓	600	0.50	3



Techn. Data
Page URS 71

A	1.87" (47.5 mm)
B	0.94" (24 mm)
D	2.36" (60 mm)
L	2.00" (51 mm)
M	3/8"



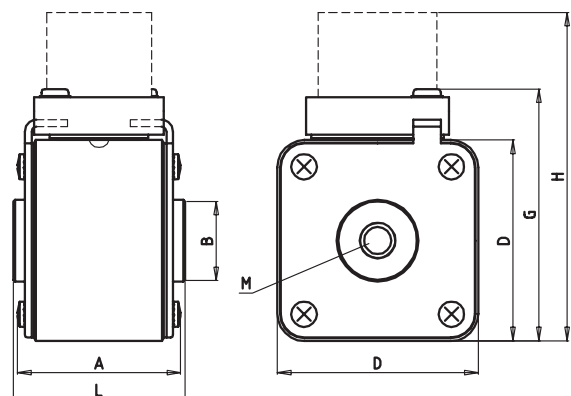
Fuses for Semiconductor Protection
North American and European Standard Type SQB

Size **SQB2** Rated Voltage **AC 600-690/700 V** Micro Switch Fitting Standard **UNC Threads**

Rated Current [A]	Part No.	UL Rec.	Rated Voltage [V]	Weight [kg/1]	Pack
400	20 674 32.400	✓	690/700	0.50	3
450	20 674 32.450	✓	690/700	0.50	3
500	20 674 32.500	✓	690/700	0.50	3
550	20 674 32.550	✓	690/700	0.50	3
630	20 674 32.630	✓	690/700	0.50	3
700	20 674 32.700	✓	690/700	0.50	3
800	20 674 32.800	✓	690/700	0.50	3
900	20 674 32.900	✓	690/700	0.50	3
1 000	20 674 32.1000	✓	690/700	0.50	3
1 100	20 674 32.1100	✓	600	0.50	3
1 250	20 674 32.1250	✓	600	0.50	3

Techn. Data
Page URS 71

- A** 1.87" (47.5 mm)
- B** 0.94" (24 mm)
- D** 2.36" (60 mm)
- G** 2.95" (75 mm)
- H** 3.86" (98 mm)
- L** 2.00" (51 mm)
- M** 3/8"

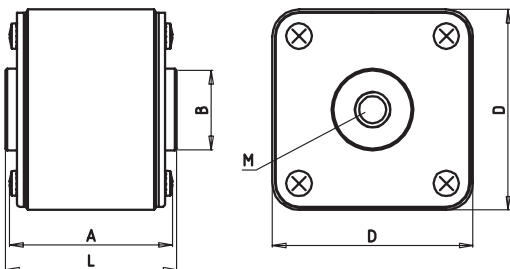




Fuses for Semiconductor Protection
North American and European Standard Type SQB

Size **SQB3** Rated Voltage **AC 600-690/700 V** Standard **UNC Threads**

Rated Current [A]	Part No.	UL Rec.	Rated Voltage [V]	Weight [kg/1]	Pack
500	20 683 31.500	✓	690/700	0.50	3
550	20 683 31.550	✓	690/700	0.50	3
630	20 683 31.630	✓	690/700	0.50	3
700	20 683 31.700	✓	690/700	0.50	3
800	20 683 31.800	✓	690/700	0.50	3
900	20 683 31.900	✓	690/700	0.50	3
1 000	20 683 31.1000	✓	690/700	0.50	3
1 100	20 683 31.1100	✓	690/700	0.50	3
1 250	20 683 31.1250	✓	690/700	0.50	3
1 400	20 683 31.1400	✓	690/700	0.50	3
1 500	20 683 31.1500		600	0.50	3
1 600	20 683 31.1600		600	0.50	3



Techn. Data
Page URS 72

A	1.93" (49 mm)
B	1.10" (28 mm)
D	2.87" (73 mm)
L	2.00" (51 mm)
M	1/2"



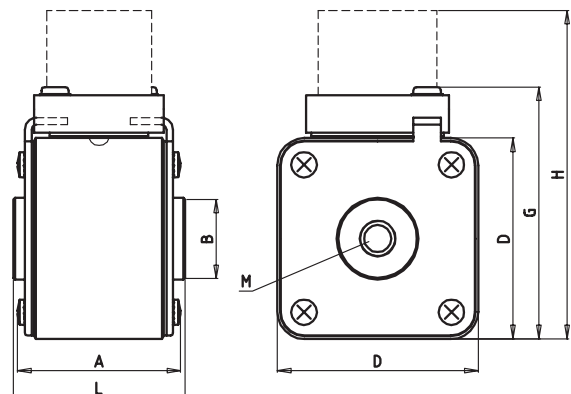
Fuses for Semiconductor Protection
North American and European Standard Type SQB

Size **SQB3** Rated Voltage **AC 600-690/700 V** Micro Switch Fitting Standard **UNC Threads**

Rated Current [A]	Part No.	UL Rec.	Rated Voltage [V]	Weight [kg/1]	Pack
500	20 684 32.500	✓	690/700	0.50	3
550	20 684 32.550	✓	690/700	0.50	3
630	20 684 32.630	✓	690/700	0.50	3
700	20 684 32.700	✓	690/700	0.50	3
800	20 684 32.800	✓	690/700	0.50	3
900	20 684 32.900	✓	690/700	0.50	3
1 000	20 684 32.1000	✓	690/700	0.50	3
1 100	20 684 32.1100	✓	690/700	0.50	3
1 250	20 684 32.1250	✓	690/700	0.50	3
1 400	20 684 32.1400	✓	690/700	0.50	3
1 500	20 684 32.1500		600	0.50	3
1 600	20 684 32.1600		600	0.50	3

Techn. Data
Page URS 72

A	1.93" (49 mm)
B	1.10" (28 mm)
D	2.87" (73 mm)
G	3.46" (88 mm)
H	4.37" (111 mm)
L	2.00" (51 mm)
M	1/2"

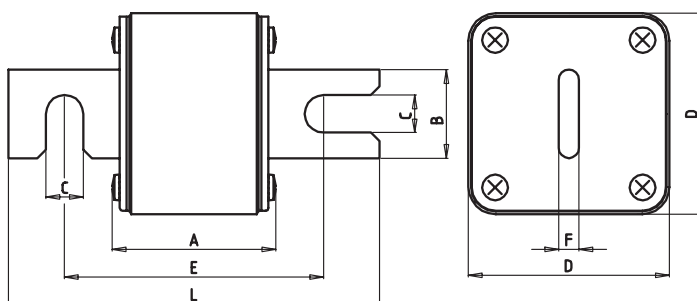




Fuses for Semiconductor Protection
North American and European Standard Type SQB

Size **SQB1** Rated Voltage **AC 600-690/700 V** Standard **DIN 43653 / 80 mm Fixing**

Rated Current [A]	Part No.	UL Rec.	Rated Voltage [V]	Weight [kg/1]	Pack
63	20 610 31.63	✓	690/700	0.51	3
80	20 610 31.80	✓	690/700	0.51	3
100	20 610 31.100	✓	690/700	0.51	3
125	20 610 31.125	✓	690/700	0.51	3
160	20 610 31.160	✓	690/700	0.51	3
200	20 610 31.200	✓	690/700	0.51	3
250	20 610 31.250	✓	690/700	0.51	3
315	20 610 31.315	✓	690/700	0.51	3
350	20 610 31.350	✓	690/700	0.51	3
400	20 610 31.400	✓	690/700	0.51	3
450	20 610 31.450	✓	690/700	0.51	3
500	20 610 31.500	✓	690/700	0.51	3
550	20 610 31.550	✓	690/700	0.51	3
630	20 610 31.630	✓	690/700	0.51	3
700	20 610 31.700	✓	690/700	0.51	3
800	20 610 31.800	✓	690/700	0.51	3
900	20 610 31.900	✓	600	0.51	3



Techn. Data
Page URS 70

A	1.87" (47.5 mm)
B	1.02" (26 mm)
C	0.43" (11 mm)
D	2.00" (51 mm)
E	3.00" (76 mm)
F	0.24" (6 mm)
L	4.29" (109 mm)



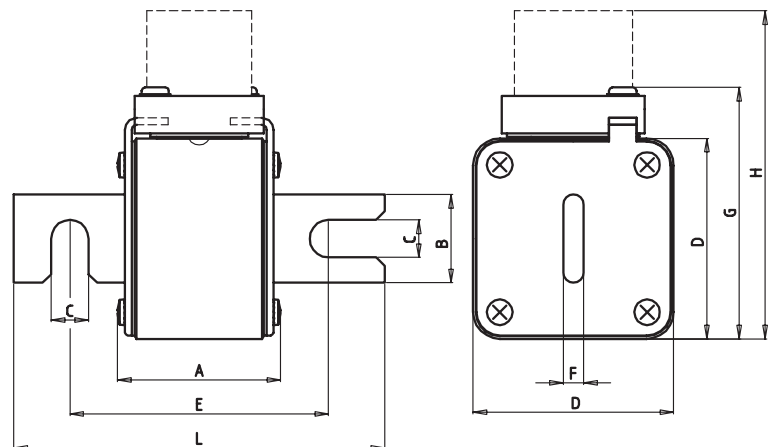
Fuses for Semiconductor Protection
North American and European Standard Type SQB

Size **SQB1** Rated Voltage **AC 600-690/700 V** Micro Switch Fitting Standard **DIN 43653 / 80 mm Fixing**

Rated Current [A]	Part No.	UL Rec.	Rated Voltage [V]	Weight [kg/1]	Pack
63	20 612 32.63	✓	690/700	0.51	3
80	20 612 32.80	✓	690/700	0.51	3
100	20 612 32.100	✓	690/700	0.51	3
125	20 612 32.125	✓	690/700	0.51	3
160	20 612 32.160	✓	690/700	0.51	3
200	20 612 32.200	✓	690/700	0.51	3
250	20 612 32.250	✓	690/700	0.51	3
315	20 612 32.315	✓	690/700	0.51	3
350	20 612 32.350	✓	690/700	0.51	3
400	20 612 32.400	✓	690/700	0.51	3
450	20 612 32.450	✓	690/700	0.51	3
500	20 612 32.500	✓	690/700	0.51	3
550	20 612 32.550	✓	690/700	0.51	3
630	20 612 32.630	✓	690/700	0.51	3
700	20 612 32.700	✓	690/700	0.51	3
800	20 612 32.800	✓	690/700	0.51	3
900	20 612 32.900		600	0.51	3

Techn. Data
Page URS 70

- A** 1.87" (47.5 mm)
- B** 1.02" (26 mm)
- C** 0.43" (11 mm)
- D** 2.01" (51 mm)
- E** 3.00" (76 mm)
- F** 0.24" (6 mm)
- G** 2.60" (66 mm)
- H** 3.50" (89 mm)
- L** 4.30" (109 mm)

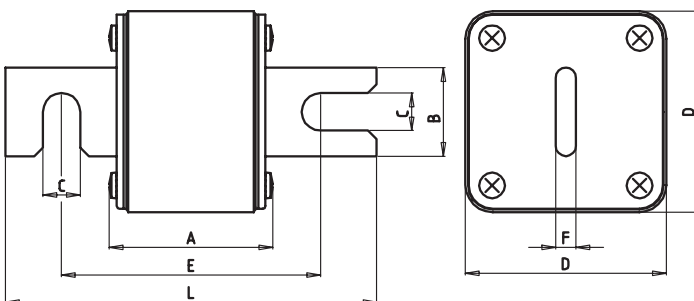




Fuses for Semiconductor Protection
North American and European Standard Type SQB

Size **SQB 2** Rated Voltage **AC 600-690/700 V** Standard **DIN 43653 / 80 mm Fixing**

Rated Current [A]	Part No.	UL Rec.	Rated Voltage [V]	Weight [kg/1]	Pack
400	20 620 31.400	✓	690/700	0.51	3
450	20 620 31.450	✓	690/700	0.51	3
500	20 620 31.500	✓	690/700	0.51	3
550	20 620 31.550	✓	690/700	0.51	3
630	20 620 31.630	✓	690/700	0.51	3
700	20 620 31.700	✓	690/700	0.51	3
800	20 620 31.800	✓	690/700	0.51	3
900	20 620 31.900	✓	690/700	0.51	3
1 000	20 620 31.1000	✓	690/700	0.51	3
1 100	20 620 31.1100	✓	600	0.51	3
1 250	20 620 31.1250	✓	600	0.51	3



Techn. Data
Page URS 71

A	1.87" (47.5 mm)
B	1.02" (26 mm)
C	0.43" (11 mm)
D	2.36" (60 mm)
E	3.00" (76 mm)
F	0.24" (6 mm)
L	4.30" (109 mm)



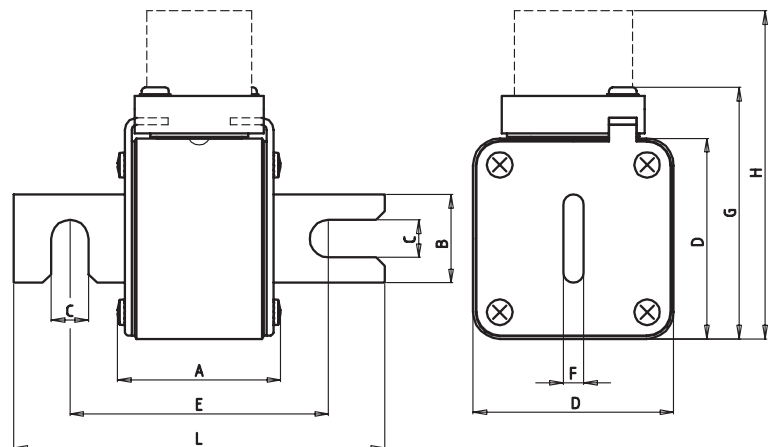
Fuses for Semiconductor Protection
North American and European Standard Type SQB

Size **SQB2** Rated Voltage **AC 600-690/700 V** Micro Switch Fitting Standard **DIN 43653 / 80 mm Fixing**

Rated Current [A]	Part No.	UL Rec.	Rated Voltage [V]	Weight [kg/1]	Pack
400	20 622 32.400	✓	690/700	0.51	3
450	20 622 32.450	✓	690/700	0.51	3
500	20 622 32.500	✓	690/700	0.51	3
550	20 622 32.550	✓	690/700	0.51	3
630	20 622 32.630	✓	690/700	0.51	3
700	20 622 32.700	✓	690/700	0.51	3
800	20 622 32.800	✓	690/700	0.51	3
900	20 622 32.900	✓	690/700	0.51	3
1 000	20 622 32.1000	✓	690/700	0.51	3
1 100	20 622 32.1100	✓	600	0.51	3
1 250	20 622 32.1250	✓	600	0.51	3

Techn. Data
Page URS 71

- A** 1.87" (47.5 mm)
- B** 1.02" (26 mm)
- C** 0.43" (11 mm)
- D** 2.36" (60 mm)
- E** 3.00" (76 mm)
- F** 0.24" (6 mm)
- G** 2.95" (75 mm)
- H** 3.86" (98 mm)
- L** 4.30" (109 mm)

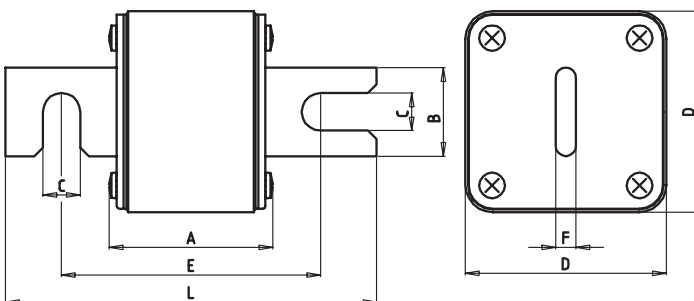




Fuses for Semiconductor Protection
North American and European Standard Type SQB

Size **SQB3** Rated Voltage **AC 600-690/700 V** Standard **DIN 43653 / 80 mm Fixing**

Rated Current [A]	Part No.	UL Rec.	Rated Voltage [V]	Weight [kg/1]	Pack
500	20 630 31.500	✓	690/700	0.60	3
550	20 630 31.550	✓	690/700	0.60	3
630	20 630 31.630	✓	690/700	0.60	3
700	20 630 31.700	✓	690/700	0.60	3
800	20 630 31.800	✓	690/700	0.60	3
900	20 630 31.900	✓	690/700	0.60	3
1 000	20 630 31.1000	✓	690/700	0.60	3
1 100	20 630 31.1100	✓	690/700	0.60	3
1 250	20 630 31.1250	✓	690/700	0.60	3
1 400	20 630 31.1400	✓	690/700	0.60	3
1 500	20 630 31.1500		600	0.60	3
1 600	20 630 31.1600		600	0.60	3



Techn. Data
Page URS 72

A	1.93" (49 mm)
B	1.38" (35 mm)
C	0.43" (11 mm)
D	2.87" (73 mm)
E	3.00" (76 mm)
F	0.24" (6 mm)
L	4.30" (109 mm)



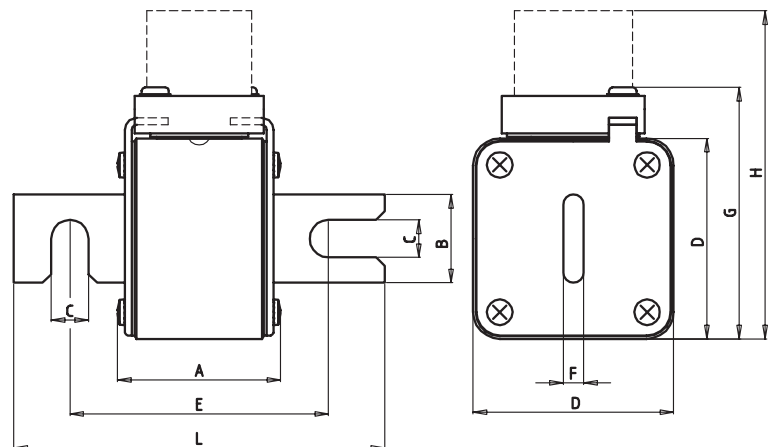
Fuses for Semiconductor Protection
North American and European Standard Type SQB

Size **SQB3** Rated Voltage **AC 600-690/700 V** Micro Switch Fitting Standard **DIN 43653 / 80 mm Fixing**

Rated Current [A]	Part No.	UL Rec.	Rated Voltage [V]	Weight [kg/1]	Pack
500	20 632 32.500	✓	690/700	0.60	3
550	20 632 32.550	✓	690/700	0.60	3
630	20 632 32.630	✓	690/700	0.60	3
700	20 632 32.700	✓	690/700	0.60	3
800	20 632 32.800	✓	690/700	0.60	3
900	20 632 32.900	✓	690/700	0.60	3
1 000	20 632 32.1000	✓	690/700	0.60	3
1 100	20 632 32.1100	✓	690/700	0.60	3
1 250	20 632 32.1250	✓	690/700	0.60	3
1 400	20 632 32.1400	✓	690/700	0.60	3
1 500	20 632 32.1500		600	0.60	3
1 600	20 632 32.1600		600	0.60	3

Techn. Data
Page URS 72

- A** 1.93" (49 mm)
- B** 1.38" (35 mm)
- C** 0.43" (11 mm)
- D** 2.87" (73 mm)
- E** 3.00" (76 mm)
- F** 0.24" (6 mm)
- G** 3.46" (88 mm)
- H** 4.37" (111 mm)
- L** 4.30" (109 mm)

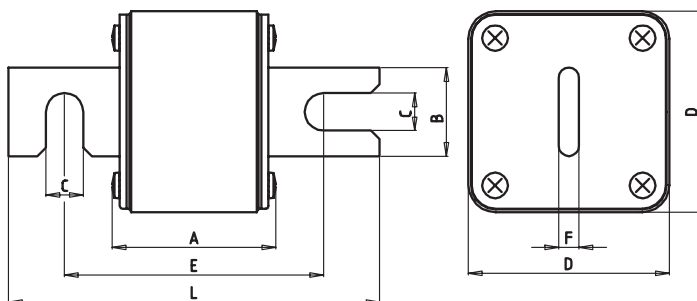




Fuses for Semiconductor Protection
North American and European Standard Type SQB

Size **SQB1** Rated Voltage **AC 600-690/700 V** Standard **DIN 43653 / 110 mm Fixing**

Rated Current [A]	Part No.	UL Rec.	Rated Voltage [V]	Weight [kg/1]	Pack
63	20 613 31.63	✓	690/700	0.51	3
80	20 613 31.80	✓	690/700	0.51	3
100	20 613 31.100	✓	690/700	0.51	3
125	20 613 31.125	✓	690/700	0.51	3
160	20 613 31.160	✓	690/700	0.51	3
200	20 613 31.200	✓	690/700	0.51	3
250	20 613 31.250	✓	690/700	0.51	3
315	20 613 31.315	✓	690/700	0.51	3
350	20 613 31.350	✓	690/700	0.51	3
400	20 613 31.400	✓	690/700	0.51	3
450	20 613 31.450	✓	690/700	0.51	3
500	20 613 31.500	✓	690/700	0.51	3
550	20 613 31.550	✓	690/700	0.51	3
630	20 613 31.630	✓	690/700	0.51	3
700	20 613 31.700	✓	690/700	0.51	3
800	20 613 31.800	✓	690/700	0.51	3
900	20 613 31.900	✓	600	0.51	3



Techn. Data
Page URS 70

A	1.87" (47.5 mm)
B	1.02" (26 mm)
C	0.43" (11 mm)
D	2.00" (51 mm)
E	4.17" (106 mm)
F	0.24" (6 mm)
L	5.28" (134 mm)



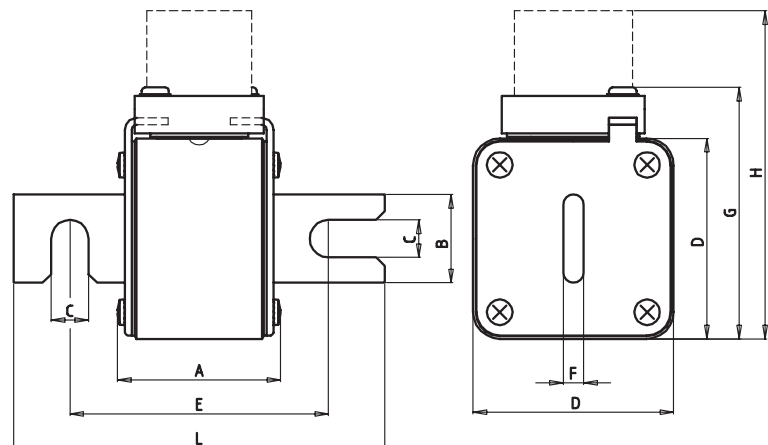
Fuses for Semiconductor Protection
North American and European Standard Type SQB

Size **SQB1** Rated Voltage **AC 600-690/700 V** Micro Switch Fitting Standard **DIN 43653 / 110 mm Fixing**

Rated Current [A]	Part No.	UL Rec.	Rated Voltage [V]	Weight [kg/1]	Pack
63	20 615 32.63	✓	690/700	0.51	3
80	20 615 32.80	✓	690/700	0.51	3
100	20 615 32.100	✓	690/700	0.51	3
125	20 615 32.125	✓	690/700	0.51	3
160	20 615 32.160	✓	690/700	0.51	3
200	20 615 32.200	✓	690/700	0.51	3
250	20 615 32.250	✓	690/700	0.51	3
315	20 615 32.315	✓	690/700	0.51	3
350	20 615 32.350	✓	690/700	0.51	3
400	20 615 32.400	✓	690/700	0.51	3
450	20 615 32.450	✓	690/700	0.51	3
500	20 615 32.500	✓	690/700	0.51	3
550	20 615 32.550	✓	690/700	0.51	3
630	20 615 32.630	✓	690/700	0.51	3
700	20 615 32.700	✓	690/700	0.51	3
800	20 615 32.800	✓	690/700	0.51	3
900	20 615 32.900		600	0.51	3

Techn. Data
Page URS 70

- A** 1.87" (47.5 mm)
- B** 1.02" (26 mm)
- C** 0.43" (11 mm)
- D** 2.00" (51 mm)
- E** 4.17" (106 mm)
- F** 0.24" (6 mm)
- G** 2.60" (66 mm)
- H** 3.50" (89 mm)
- L** 5.28" (134 mm)

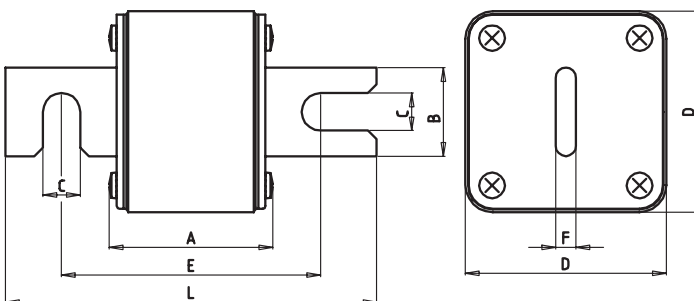




Fuses for Semiconductor Protection
North American and European Standard Type SQB

Size **SQB2** Rated Voltage **AC 600-690/700 V** Standard **DIN 43653 / 110 mm Fixing**

Rated Current [A]	Part No.	UL Rec.	Rated Voltage [V]	Weight [kg/1]	Pack
400	20 623 31.400	✓	690/700	0.51	3
450	20 623 31.450	✓	690/700	0.51	3
500	20 623 31.500	✓	690/700	0.51	3
550	20 623 31.550	✓	690/700	0.51	3
630	20 623 31.630	✓	690/700	0.51	3
700	20 623 31.700	✓	690/700	0.51	3
800	20 623 31.800	✓	690/700	0.51	3
900	20 623 31.900	✓	690/700	0.51	3
1 000	20 623 31.1000	✓	690/700	0.51	3
1 100	20 623 31.1100	✓	600	0.51	3
1 250	20 623 31.1250	✓	600	0.51	3



Techn. Data
Page URS 71

A	1.87" (47.5 mm)
B	1.02" (26 mm)
C	0.43" (11 mm)
D	2.36" (60 mm)
E	4.17" (106 mm)
F	0.24" (6 mm)
L	5.28" (134 mm)



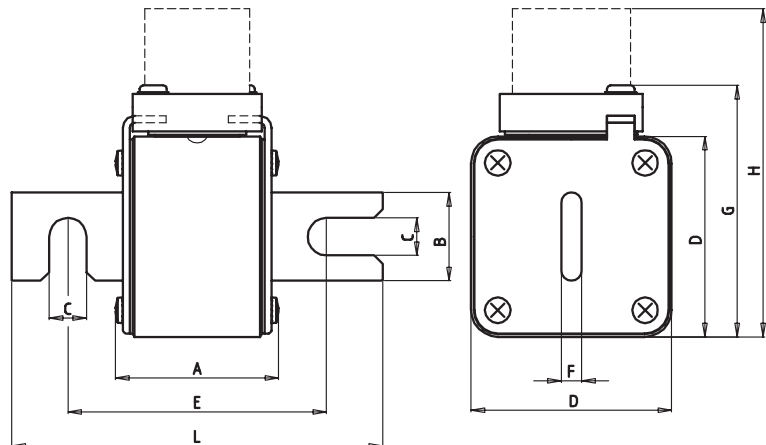
Fuses for Semiconductor Protection
North American and European Standard Type SQB

Size SQB2	Rated Voltage AC 600-690/700 V	Microswitch Micro Switch Fitting	Standard DIN 43653 / 110 mm Fixing
---------------------	--	--	--

Rated Current [A]	Part No.	UL Rec.	Rated Voltage [V]	Weight [kg/1]	Pack
400	20 625 32.400	✓	690/700	0.51	3
450	20 625 32.450	✓	690/700	0.51	3
500	20 625 32.500	✓	690/700	0.51	3
550	20 625 32.550	✓	690/700	0.51	3
630	20 625 32.630	✓	690/700	0.51	3
700	20 625 32.700	✓	690/700	0.51	3
800	20 625 32.800	✓	690/700	0.51	3
900	20 625 32.900	✓	690/700	0.51	3
1 000	20 625 32.1000	✓	690/700	0.51	3
1 100	20 625 32.1100	✓	600	0.51	3
1 250	20 625 32.1250	✓	600	0.51	3

Techn. Data
Page URS 71

- A** 1.87" (47.5 mm)
- B** 1.02" (26 mm)
- C** 0.43" (11 mm)
- D** 2.36" (60 mm)
- E** 4.17" (106 mm)
- F** 0.24" (6 mm)
- G** 2.95" (75 mm)
- H** 3.86" (98 mm)
- L** 5.28" (134 mm)

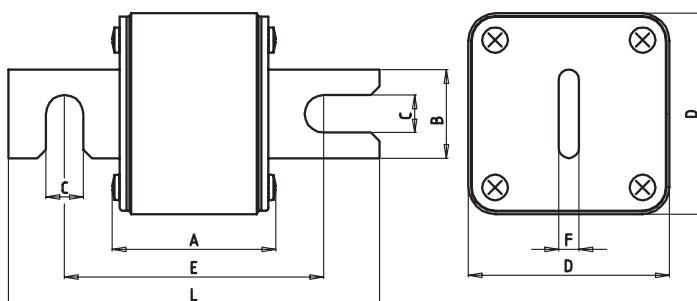




Fuses for Semiconductor Protection
North American and European Standard Type SQB

Size **SQB3** Rated Voltage **AC 600-690/700 V** Standard **DIN 43653 / 110 mm Fixing**

Rated Current [A]	Part No.	UL Rec.	Rated Voltage [V]	Weight [kg/1]	Pack
500	20 633 31.500	✓	690/700	0.60	3
550	20 633 31.550	✓	690/700	0.60	3
630	20 633 31.630	✓	690/700	0.60	3
700	20 633 31.700	✓	690/700	0.60	3
800	20 633 31.800	✓	690/700	0.60	3
900	20 633 31.900	✓	690/700	0.60	3
1 000	20 633 31.1000	✓	690/700	0.60	3
1 100	20 633 31.1100	✓	690/700	0.60	3
1 250	20 633 31.1250	✓	690/700	0.60	3
1 400	20 633 31.1400	✓	690/700	0.60	3
1 500	20 633 31.1500		600	0.60	3
1 600	20 633 31.1600		600	0.60	3



Techn. Data
Page URS 72

A	1.93" (49 mm)
B	1.38" (35 mm)
C	0.43" (11 mm)
D	2.87" (73 mm)
E	4.17" (106 mm)
F	0.24" (6 mm)
L	5.28" (134 mm)



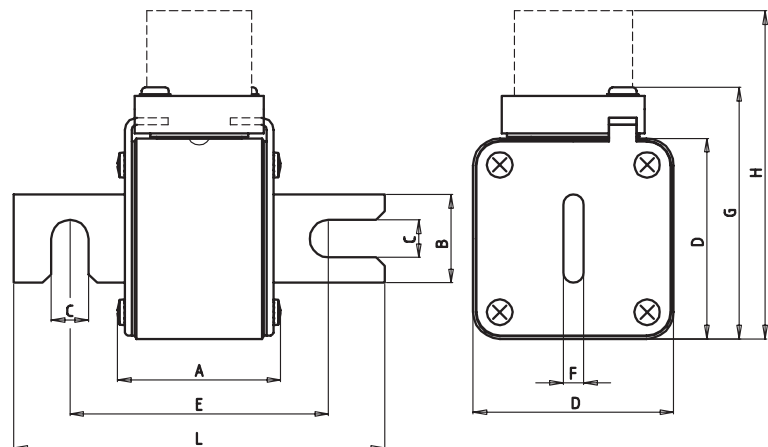
Fuses for Semiconductor Protection
North American and European Standard Type SQB

Size **SQB3** Rated Voltage **AC 600-690/700 V** Micro Switch Fitting Standard **DIN 43653 / 110 mm Fixing**

Rated Current [A]	Part No.	UL Rec.	Rated Voltage [V]	Weight [kg/1]	Pack
500	20 635 32.500	✓	690/700	0.60	3
550	20 635 32.550	✓	690/700	0.60	3
630	20 635 32.630	✓	690/700	0.60	3
700	20 635 32.700	✓	690/700	0.60	3
800	20 635 32.800	✓	690/700	0.60	3
900	20 635 32.900	✓	690/700	0.60	3
1 000	20 635 32.1000	✓	690/700	0.60	3
1 100	20 635 32.1100	✓	690/700	0.60	3
1 250	20 635 32.1250	✓	690/700	0.60	3
1 400	20 635 32.1400	✓	690/700	0.60	3
1 500	20 635 32.1500		600	0.60	3
1 600	20 635 32.1600		600	0.60	3

Techn. Data
Page URS 72

- A** 1.93" (49 mm)
- B** 1.38" (35 mm)
- C** 0.43" (11 mm)
- D** 2.87" (73 mm)
- E** 4.17" (106 mm)
- F** 0.24" (6 mm)
- G** 3.46" (88 mm)
- H** 4.37" (111 mm)
- L** 5.28" (134 mm)

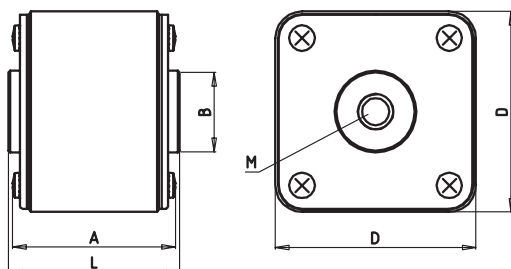




Fuses for Semiconductor Protection
North American and European Standard Type SQB

Size **SQB1** Rated Voltage **AC 600-690/700 V** Standard **DIN 43653 / Metric Thread**

Rated Current [A]	Part No.	UL Rec.	Rated Voltage [V]	Weight [kg/1]	Pack
63	20 660 31.63	✓	690/700	0.50	3
80	20 660 31.80	✓	690/700	0.50	3
100	20 660 31.100	✓	690/700	0.50	3
125	20 660 31.125	✓	690/700	0.50	3
160	20 660 31.160	✓	690/700	0.50	3
200	20 660 31.200	✓	690/700	0.50	3
250	20 660 31.250	✓	690/700	0.50	3
315	20 660 31.315	✓	690/700	0.50	3
350	20 660 31.350	✓	690/700	0.50	3
400	20 660 31.400	✓	690/700	0.50	3
450	20 660 31.450	✓	690/700	0.50	3
500	20 660 31.500	✓	690/700	0.50	3
550	20 660 31.550	✓	690/700	0.50	3
630	20 660 31.630	✓	690/700	0.50	3
700	20 660 31.700	✓	690/700	0.50	3
800	20 660 31.800	✓	690/700	0.50	3
900	20 660 31.900	✓	600	0.50	3



Techn. Data
Page URS 70

A	1.87" (47.5 mm)
B	0.94" (24 mm)
D	2.00" (51 mm)
L	2.00" (51 mm)
M	M8



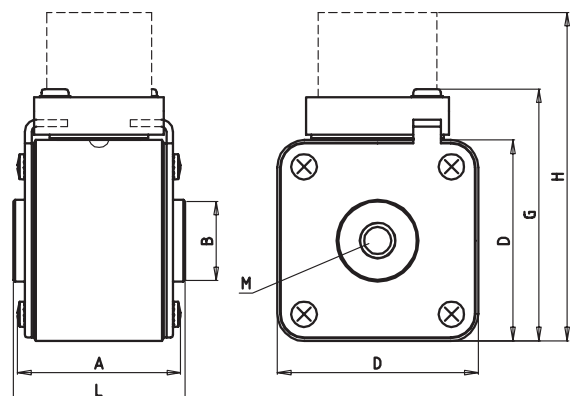
Fuses for Semiconductor Protection
North American and European Standard Type SQB

Size **SQB 1** Rated Voltage **AC 600-690/700 V** Micro Switch Fitting Standard **DIN 43653 / Metric Thread**

Rated Current [A]	Part No.	UL Rec.	Rated Voltage [V]	Weight [kg/1]	Pack
63	20 661 32.63	✓	690/700	0.50	3
80	20 661 32.80	✓	690/700	0.50	3
100	20 661 32.100	✓	690/700	0.50	3
125	20 661 32.125	✓	690/700	0.50	3
160	20 661 32.160	✓	690/700	0.50	3
200	20 661 32.200	✓	690/700	0.50	3
250	20 661 32.250	✓	690/700	0.50	3
315	20 661 32.315	✓	690/700	0.50	3
350	20 661 32.350	✓	690/700	0.50	3
400	20 661 32.400	✓	690/700	0.50	3
450	20 661 32.450	✓	690/700	0.50	3
500	20 661 32.500	✓	690/700	0.50	3
550	20 661 32.550	✓	690/700	0.50	3
630	20 661 32.630	✓	690/700	0.50	3
700	20 661 32.700	✓	690/700	0.50	3
800	20 661 32.800	✓	690/700	0.50	3
900	20 661 32.900		600	0.50	3

Techn. Data
Page URS 70

- A** 1.87" (47.5 mm)
- B** 0.94" (24 mm)
- D** 2.00" (51 mm)
- G** 2.60" (66 mm)
- H** 3.50" (89 mm)
- L** 2.00" (51 mm)
- M** M8

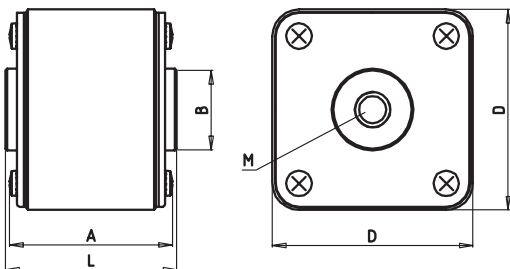




Fuses for Semiconductor Protection
North American and European Standard Type SQB

Size **SQB 2** Rated Voltage **AC 600-690/700 V** Standard **DIN 43653 / Metric Thread**

Rated Current [A]	Part No.	UL Rec.	Rated Voltage [V]	Weight [kg/1]	Pack
400	20 670 31.400	✓	690/700	0.50	3
450	20 670 31.450	✓	690/700	0.50	3
500	20 670 31.500	✓	690/700	0.50	3
550	20 670 31.550	✓	690/700	0.50	3
630	20 670 31.630	✓	690/700	0.50	3
700	20 670 31.700	✓	690/700	0.50	3
800	20 670 31.800	✓	690/700	0.50	3
900	20 670 31.900	✓	690/700	0.50	3
1 000	20 670 31.1000	✓	690/700	0.50	3
1 100	20 670 31.1100	✓	600	0.50	3
1 250	20 670 31.1250	✓	600	0.50	3



Techn. Data
Page URS 71

A	1.87" (47.5 mm)
B	0.94" (24 mm)
D	2.36" (60 mm)
L	2.00" (51 mm)
M	M10



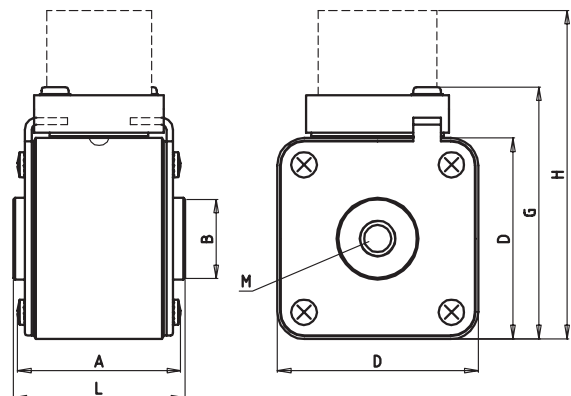
Fuses for Semiconductor Protection
North American and European Standard Type SQB

Size **SQB 2** Rated Voltage **AC 600-690/700 V** Micro Switch Fitting Standard **DIN 43653 / Metric Thread**

Rated Current [A]	Part No.	UL Rec.	Rated Voltage [V]	Weight [kg/1]	Pack
400	20 671 32.400	✓	690/700	0.50	3
450	20 671 32.450	✓	690/700	0.50	3
500	20 671 32.500	✓	690/700	0.50	3
550	20 671 32.550	✓	690/700	0.50	3
630	20 671 32.630	✓	690/700	0.50	3
700	20 671 32.700	✓	690/700	0.50	3
800	20 671 32.800	✓	690/700	0.50	3
900	20 671 32.90	✓	690/700	0.50	3
1 000	20 671 32.1000	✓	690/700	0.50	3
1 100	20 671 32.1100	✓	600	0.50	3
1 250	20 671 32.1250	✓	600	0.50	3

Techn. Data
Page URS 71

- A** 1.87" (47.5 mm)
- B** 0.94" (24 mm)
- D** 2.36" (60 mm)
- G** 2.95" (75 mm)
- H** 3.86" (98 mm)
- L** 2.00" (51 mm)
- M** M10





Fuses for Semiconductor Protection
North American and European Standard Type SQB

Size **SQB 3** Rated Voltage **AC 500-550-600-690/700 V** Standard **DIN 43653 / Metric Thread**

Rated Current [A]	Part No.	UL Rec.	Rated Voltage [V]	Weight [kg/1]	Pack
500	20 680 31.500	✓	690/700	0.50	3
550	20 680 31.550	✓	690/700	0.50	3
630	20 680 31.630	✓	690/700	0.50	3
700	20 680 31.700	✓	690/700	0.50	3
800	20 680 31.800	✓	690/700	0.50	3
900	20 680 31.900	✓	690/700	0.50	3
1 000	20 680 31.1000	✓	690/700	0.50	3
1 100	20 680 31.1100	✓	690/700	0.50	3
1 250	20 680 31.1250	✓	690/700	0.50	3
1 400	20 680 31.1400	✓	690/700	0.50	3
1 500	20 680 31.1500		600	0.50	3
1 600	20 680 31.1600		600	0.50	3
1 800	20 680 52.1800		550	0.65	2
2 000	20 680 52.2000		550	0.65	2
2 250	20 680 52.2250		500	0.65	2

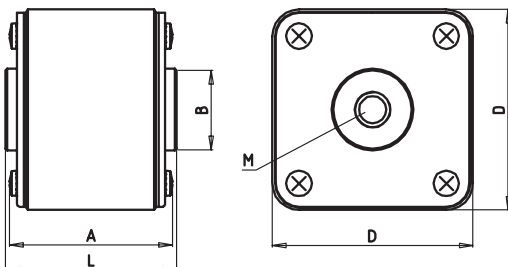
Techn. Data
Page URS 72

20 680 31

A	1.93" (49 mm)
B	1.10" (28 mm)
D	2.87" (73 mm)
L	2.00" (51 mm)
M	M12

20 680 52

A	1.93" (49 mm)
B	1.10" (28 mm)
D	2.87" (73 mm)
L	2.32" (59 mm)
M	M12





Fuses for Semiconductor Protection
North American and European Standard Type SQB

Size **SQB3** Rated Voltage **AC 500-550-600-690/700 V** Standard **Micro Switch Fitting DIN 43653 / Metric Thread**

Rated Current [A]	Part No.	UL Rec.	Rated Voltage [V]	Weight [kg/1]	Pack
500	20 681 32.500	✓	690/700	0.50	3
550	20 681 32.550	✓	690/700	0.50	3
630	20 681 32.630	✓	690/700	0.50	3
700	20 681 32.700	✓	690/700	0.50	3
800	20 681 32.800	✓	690/700	0.50	3
900	20 681 32.900	✓	690/700	0.50	3
1 000	20 681 32.1000	✓	690/700	0.50	3
1 100	20 681 32.1100	✓	690/700	0.50	3
1 250	20 681 32.1250	✓	690/700	0.50	3
1 400	20 681 32.1400	✓	690/700	0.50	3
1 500	20 681 32.1500		600	0.50	3
1 600	20 681 32.1600		600	0.50	3
1 800	20 681 52.1800		550	0.66	2
2 000	20 681 52.2000		550	0.66	2
2 250	20 681 52.2250		500	0.66	2

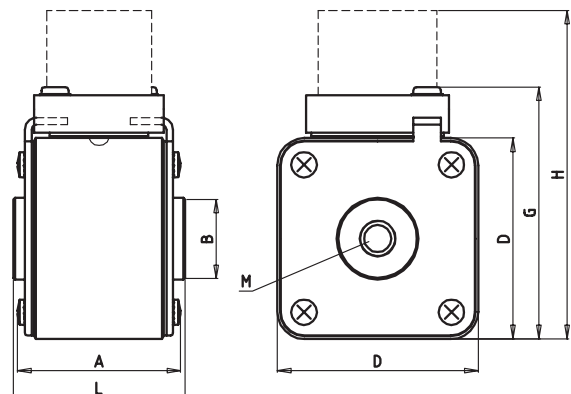
Techn. Data
Page URS 72

20 681 32

- A** 1.93" (49 mm)
- B** 1.10" (28 mm)
- D** 2.87" (73 mm)
- G** 3.46" (88 mm)
- H** 4.37" (111 mm)
- L** 2.00" (51 mm)
- M** M12

20 681 52

- A** 1.93" (49 mm)
- B** 1.10" (28 mm)
- D** 2.87" (73 mm)
- G** 3.46" (88 mm)
- H** 4.37" (111 mm)
- L** 2.32" (59 mm)
- M** M12

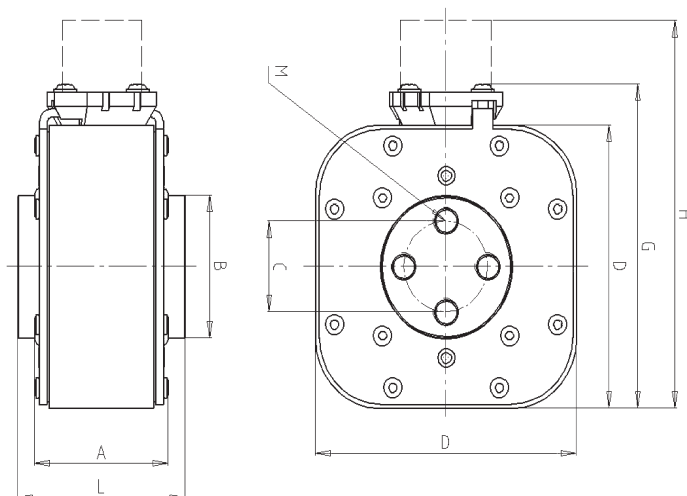




Fuses for Semiconductor Protection
North American and European Standard Type SQB

Size **SQB4** Rated Voltage **AC 690 V** Standard **IEC 60269-4**

Rated Current [A]	Part No.	UL Rec.	Rated Voltage [V]	Weight [kg/1]	Pack
1 600	20 695 32.1600		690	1.9	1
1 800	20 695 32.1800		690	1.9	1
2 000	20 695 32.2000		690	1.9	1
2 250	20 695 32.2250		690	1.9	1
2 500	20 695 32.2500		690	1.9	1



Techn. Data
on request

- A** 2.09" (53 mm)
- B** 2.05" (52 mm)
- C** 1.30" (33 mm)
- D** 4.06" (103 mm)
- G** 4.56" (118 mm)
- H** 5.55" (141 mm)
- L** 2.60" (66 mm)
- M** M10



Fuses for Semiconductor Protection
North American and European Standard Type SQB

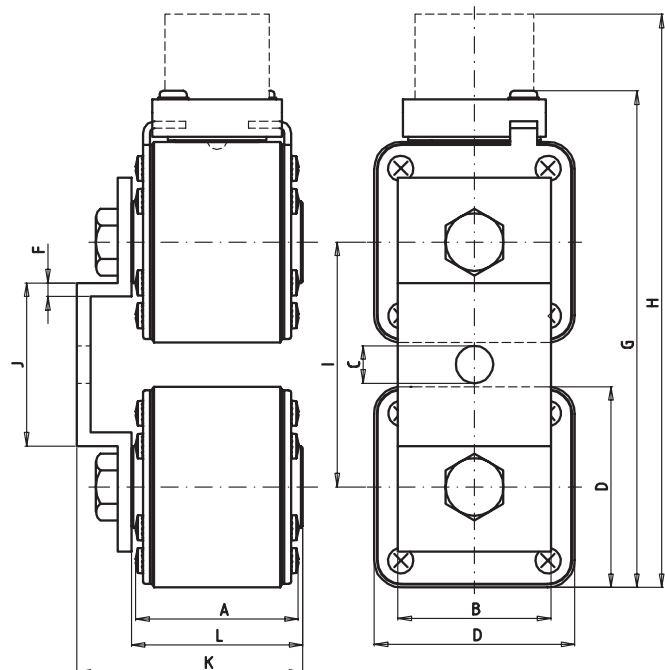
Size **SQB2-2** Rated Voltage **AC 690/700 V** Standard **IEC 60269-4 · DIN VDE 0636 Part 40 · UL 248-13**

Rated Current [A]	Part No.	UL Rec.	Rated Voltage [V]	Weight [kg/1]	Pack
800	20 678 32.800	✓	690/700	1.02	1
1 000	20 678 32.1000	✓	690/700	1.02	1
1 250	20 678 32.1250	✓	690/700	1.02	1
1 400	20 678 32.1400	✓	690/700	1.02	1
1 600	20 678 32.1600	✓	690/700	1.02	1

Double Body

Techn. Data
Page URS 74

- A** 1.87" (47,5 mm)
- B** 1.77" (45 mm)
- C** 0.43" (11 mm)
- D** 2.32" (59 mm)
- F** 0.16" (4 mm)
- G** 5.83" (148 mm)
- H** 6.60" (168 mm)
- I** 2.83" (72 mm)
- J** 1.90" (48 mm)
- K** 2.64" (67 mm)
- L** 2.00" (51 mm)



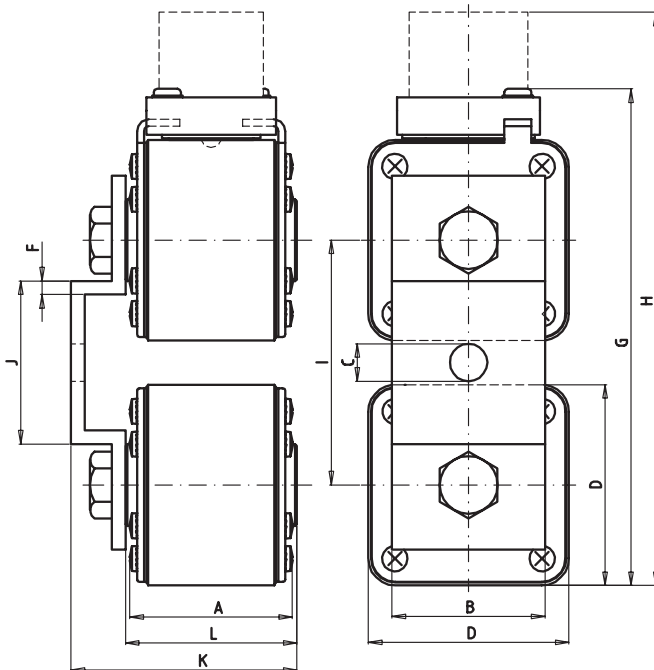


Fuses for Semiconductor Protection
North American and European Standard Type SQB

Size **SQB3-2** Rated Voltage **AC 690/700 V** Standard **IEC 60269-4 · DIN VDE 0636 Part 40 · UL 248-13**

Rated Current [A]	Part No.	UL Rec.	Rated Voltage [V]	Weight [kg/1]	Pack
1 000	20 688 32.1000	✓	690/700	1.2	1
1 100	20 688 32.1100	✓	690/700	1.2	1
1 250	20 688 32.1250	✓	690/700	1.2	1
1 400	20 688 32.1400	✓	690/700	1.2	1
1 600	20 688 32.1600	✓	690/700	1.2	1
1 800	20 688 32.1800	✓	690/700	1.2	1
2 000	20 688 32.2000	✓	690/700	1.2	1
2 500	20 688 32.2500	✓	690/700	1.2	1
3 000	20 688 32.3000	✓	690/700	1.2	1

Double Body



Techn. Data
Page URS 75

A	1.93" (49 mm)
B	1.97" (50 mm)
C	0.50" (13 mm)
D	2.87" (73 mm)
F	0.16" (4 mm)
G	6.77" (172 mm)
H	7.94" (195 mm)
I	3.39" (86 mm)
J	2.13" (54 mm)
K	2.64" (67 mm)
L	2.00" (51 mm)



Fuses for Semiconductor Protection
North American and European Standard Type SQB

Size
SQB1

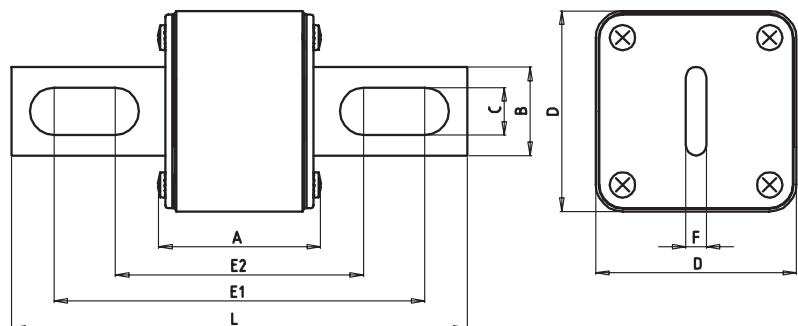
Rated Voltage
AC 1100-1250/1300 V

Standard
US-Type Long

Rated Current [A]	Part No.	UL Rec.	Rated Voltage [V]	Weight [kg/1]	Pack
50	20 719 31.50	✓	1250/1300	0.54	3
63	20 719 31.63	✓	1250/1300	0.54	3
80	20 719 31.80	✓	1250/1300	0.54	3
100	20 719 31.100	✓	1250/1300	0.54	3
125	20 719 31.125	✓	1250/1300	0.54	3
160	20 719 31.160	✓	1250/1300	0.54	3
200	20 719 31.200	✓	1250/1300	0.54	3
250	20 719 31.250	✓	1250/1300	0.54	3
315	20 719 31.315	✓	1250/1300	0.54	3
350	20 719 31.350	✓	1250/1300	0.54	3
400	20 719 31.400	✓	1250/1300	0.54	3
450	20 719 31.450	✓	1250/1300	0.54	3
500	20 719 31.500	✓	1100/1200	0.54	3
550	20 719 31.550	✓	1100/1200	0.54	3
630	20 719 31.630	✓	1100/1200	0.54	3

Techn. Data
Page URS 76

- A** 2.78" (70.5 mm)
- B** 1.02" (26 mm)
- C** 0.55" (14 mm)
- D** 2.00" (51 mm)
- E1** 5.20" (132 mm)
- E2** 3.78" (96 mm)
- F** 0.24" (6 mm)
- L** 6.18" (157 mm)

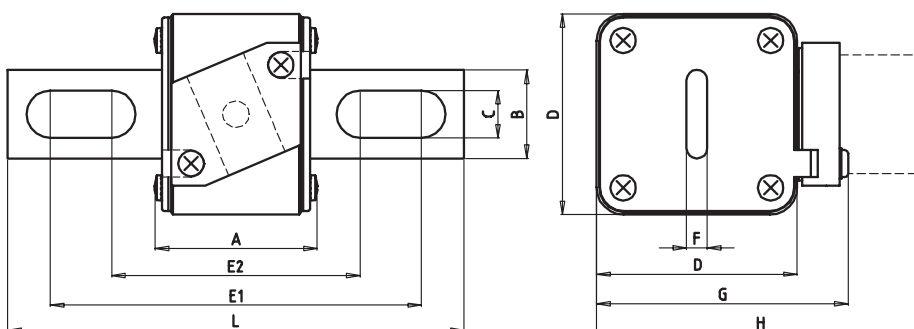




Fuses for Semiconductor Protection
North American and European Standard Type SQB

Size SQB1	Rated Voltage AC 1100-1250/1300 V	Micro Switch Fitting	Standard US-Type Long
---------------------	---	----------------------	---------------------------------

Rated Current [A]	Part No.	UL Rec.	Rated Voltage [V]	Weight [kg/1]	Pack
50	20 718 32.50	✓	1250/1300	0.54	3
63	20 718 32.63	✓	1250/1300	0.54	3
80	20 718 32.80	✓	1250/1300	0.54	3
100	20 718 32.100	✓	1250/1300	0.54	3
125	20 718 32.125	✓	1250/1300	0.54	3
160	20 718 32.160	✓	1250/1300	0.54	3
200	20 718 32.200	✓	1250/1300	0.54	3
250	20 718 32.250	✓	1250/1300	0.54	3
315	20 718 32.315	✓	1250/1300	0.54	3
350	20 718 32.350	✓	1250/1300	0.54	3
400	20 718 32.400	✓	1250/1300	0.54	3
450	20 718 32.450	✓	1250/1300	0.54	3
500	20 718 32.500	✓	1100/1200	0.54	3
550	20 718 32.550	✓	1100/1200	0.54	3
630	20 718 32.630	✓	1100/1200	0.54	3



Techn. Data
Page URS 76

A	2.78" (70.5 mm)
B	1.02" (26 mm)
C	0.55" (14 mm)
D	2.00" (51 mm)
E1	5.20" (132 mm)
E2	3.78" (96 mm)
F	0.24" (6 mm)
G	2.60" (66 mm)
H	3.50" (89 mm)
L	6.18" (157 mm)



Fuses for Semiconductor Protection
North American and European Standard Type SQB

Size
SQB2

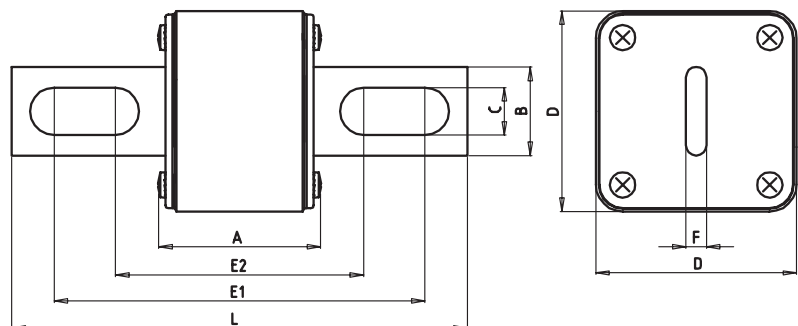
Rated Voltage
AC 1100-1250/1300 V

Standard
US-Type Long

Rated Current [A]	Part No.	UL Rec.	Rated Voltage [V]	Weight [kg/1]	Pack
250	20 729 31.250	✓	1250/1300	0.75	3
280	20 729 31.280	✓	1250/1300	0.75	3
315	20 729 31.315	✓	1250/1300	0.75	3
350	20 729 31.350	✓	1250/1300	0.75	3
400	20 729 31.400	✓	1250/1300	0.75	3
450	20 729 31.450	✓	1250/1300	0.75	3
500	20 729 31.500	✓	1250/1300	0.75	3
550	20 729 31.550	✓	1250/1300	0.75	3
630	20 729 31.630	✓	1250/1300	0.75	3
700	20 729 31.700	✓	1100/1200	0.75	3
800	20 729 31.800	✓	1100	0.75	3

Techn. Data
Page URS 77

- A** 2.78" (70.5 mm)
- B** 1.02" (26 mm)
- C** 0.55" (14 mm)
- D** 2.36" (60 mm)
- E1** 5.20" (132 mm)
- E2** 3.78" (96 mm)
- F** 0.24" (6 mm)
- L** 6.18" (157 mm)

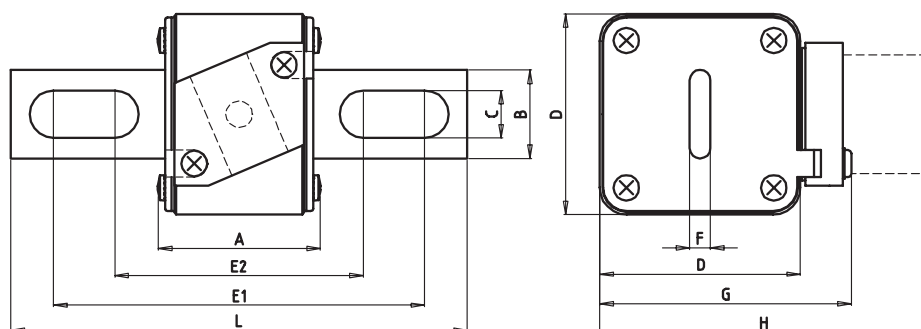




Fuses for Semiconductor Protection
North American and European Standard Type SQB

Size SQB2	Rated Voltage AC 1100-1250/1300 V	Micro Switch Fitting	Standard US-Type Long
---------------------	---	----------------------	---------------------------------

Rated Current [A]	Part No.	UL Rec.	Rated Voltage [V]	Weight [kg/1]	Pack
250	20 728 32.250	✓	1250/1300	0.75	3
280	20 728 32.280	✓	1250/1300	0.75	3
315	20 728 32.315	✓	1250/1300	0.75	3
350	20 728 32.350	✓	1250/1300	0.75	3
400	20 728 32.400	✓	1250/1300	0.75	3
450	20 728 32.450	✓	1250/1300	0.75	3
500	20 728 32.500	✓	1250/1300	0.75	3
550	20 728 32.550	✓	1250/1300	0.75	3
630	20 728 32.630	✓	1250/1300	0.75	3
700	20 728 32.700	✓	1100/1200	0.75	3
800	20 728 32.800	✓	1100	0.75	3



Techn. Data
Page URS 77

A	2.78" (70.5 mm)
B	1.02" (26 mm)
C	0.55" (14 mm)
D	2.36" (60 mm)
E1	5.20" (132 mm)
E2	3.78" (96 mm)
F	0.24" (6 mm)
G	2.95" (75 mm)
H	3.86" (98 mm)
L	6.18" (157 mm)



Fuses for Semiconductor Protection
North American and European Standard Type SQB

Size
SQB3

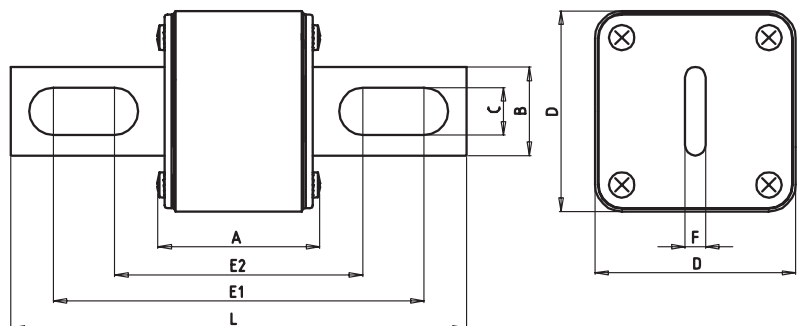
Rated Voltage
AC 900-1250/1300 V

Standard
US-Type Long

Rated Current [A]	Part No.	UL Rec.	Rated Voltage [V]	Weight [kg/1]	Pack
315	20 739 31.315	✓	1250/1300	1.04	3
350	20 739 31.350	✓	1250/1300	1.04	3
400	20 739 31.400	✓	1250/1300	1.04	3
450	20 739 31.450	✓	1250/1300	1.04	3
500	20 739 31.500	✓	1250/1300	1.04	3
550	20 739 31.550	✓	1250/1300	1.04	3
630	20 739 31.630	✓	1250/1300	1.04	3
700	20 739 31.700	✓	1250/1300	1.04	3
800	20 739 31.800	✓	1250/1300	1.04	3
1 000	20 739 31.1000	✓	1000	1.04	3
1 100	20 739 31.1100	✓	1000	1.04	3
1 250	20 739 31.1250		900	1.04	3
1 400	20 739 31.1400		900	1.04	3

Techn. Data
Page URS 78

- A** 2.83" (72 mm)
- B** 1.38" (35 mm)
- C** 0.63" (16 mm)
- D** 2.87" (73 mm)
- E1** 5.20" (132 mm)
- E2** 3.86" (98 mm)
- F** 0.24" (6 mm)
- L** 6.22" (158 mm)

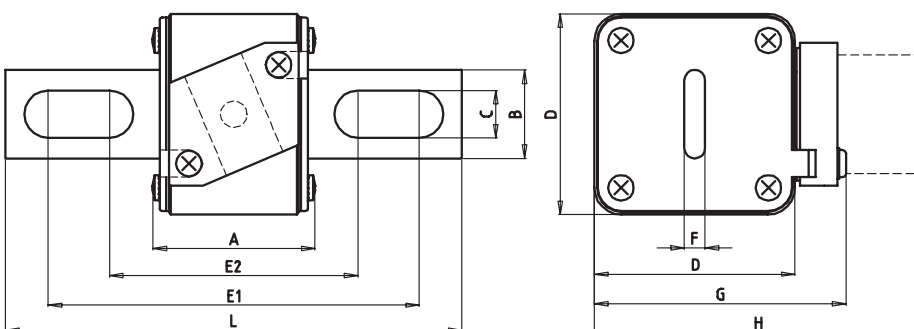




Fuses for Semiconductor Protection
North American and European Standard Type SQB

Size **SQB3** Rated Voltage **AC 900-1250/1300 V** Micro Switch Fitting Standard **US-Type Long**

Rated Current [A]	Part No.	UL Rec.	Rated Voltage [V]	Weight [kg/1]	Pack
315	20 738 32.315	✓	1250/1300	1.04	3
350	20 738 32.350	✓	1250/1300	1.04	3
400	20 738 32.400	✓	1250/1300	1.04	3
450	20 738 32.450	✓	1250/1300	1.04	3
500	20 738 32.500	✓	1250/1300	1.04	3
550	20 738 32.550	✓	1250/1300	1.04	3
630	20 738 32.630	✓	1250/1300	1.04	3
700	20 738 32.700	✓	1250/1300	1.04	3
800	20 738 32.800	✓	1250/1300	1.04	3
1 000	20 738 32.1000	✓	1000	1.04	3
1 100	20 738 32.1100	✓	1000	1.04	3
1 250	20 738 32.1250		900	1.04	3
1 400	20 738 32.1400		900	1.04	3



Techn. Data
Page URS 78

A	2.83" (72 mm)
B	1.38" (35 mm)
C	0.63" (16 mm)
D	2.87" (73 mm)
E1	5.20" (132 mm)
E2	3.86" (98 mm)
F	0.24" (6 mm)
G	3.46" (88 mm)
H	4.37" (111 mm)
L	6.22" (158 mm)



Fuses for Semiconductor Protection
North American and European Standard Type SQB

Size
SQB1

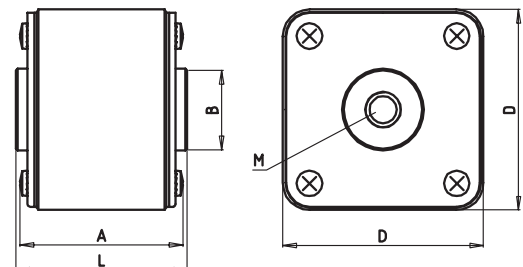
Rated Voltage
AC 1100-1250/1300 V

Standard
UNC Threads

Rated Current [A]	Part No.	UL Rec.	Rated Voltage [V]	Weight [kg/1]	Pack
50	20 763 31.50	✓	1250/1300	0.51	3
63	20 763 31.63	✓	1250/1300	0.51	3
80	20 763 31.80	✓	1250/1300	0.51	3
100	20 763 31.100	✓	1250/1300	0.51	3
125	20 763 31.125	✓	1250/1300	0.51	3
160	20 763 31.160	✓	1250/1300	0.51	3
200	20 763 31.200	✓	1250/1300	0.51	3
250	20 763 31.250	✓	1250/1300	0.51	3
315	20 763 31.315	✓	1250/1300	0.51	3
350	20 763 31.350	✓	1250/1300	0.51	3
400	20 763 31.400	✓	1250/1300	0.51	3
450	20 763 31.450	✓	1250/1300	0.51	3
500	20 763 31.500	✓	1100/1200	0.51	3
550	20 763 31.550	✓	1100/1200	0.51	3
630	20 763 31.630	✓	1100/1200	0.51	3

Techn. Data
Page URS 76

- A 2.78" (70.5 mm)
- B 0.94" (24 mm)
- D 2.00" (51 mm)
- L 2.90" (73.5 mm)
- M 5/16"

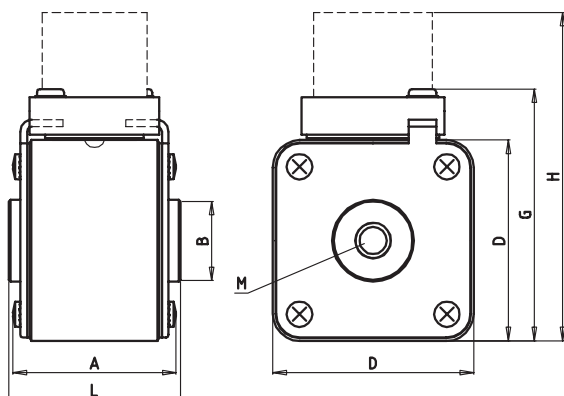




Fuses for Semiconductor Protection
North American and European Standard Type SQB

Size SQB1	Rated Voltage AC 1100-1250/1300 V	Micro Switch Fitting	Standard UNC Threads
---------------------	---	----------------------	--------------------------------

Rated Current [A]	Part No.	UL Rec.	Rated Voltage [V]	Weight [kg/1]	Pack
50	20 764 32.50	✓	1250/1300	0.51	3
63	20 764 32.63	✓	1250/1300	0.51	3
80	20 764 32.80	✓	1250/1300	0.51	3
100	20 764 32.100	✓	1250/1300	0.51	3
125	20 764 32.125	✓	1250/1300	0.51	3
160	20 764 32.160	✓	1250/1300	0.51	3
200	20 764 32.200	✓	1250/1300	0.51	3
250	20 764 32.250	✓	1250/1300	0.51	3
315	20 764 32.315	✓	1250/1300	0.51	3
350	20 764 32.350	✓	1250/1300	0.51	3
400	20 764 32.400	✓	1250/1300	0.51	3
450	20 764 32.450	✓	1250/1300	0.51	3
500	20 764 32.500	✓	1100/1200	0.51	3
550	20 764 32.550	✓	1100/1200	0.51	3
630	20 764 32.630	✓	1100/1200	0.51	3



Techn. Data
Page URS 76

A	2.78" (70.5 mm)
B	0.94" (24 mm)
D	2.00" (51 mm)
G	2.60" (66 mm)
H	3.50" (89 mm)
L	2.90" (73.5 mm)
M	5/16"



Fuses for Semiconductor Protection
North American and European Standard Type SQB

Size
SQB2

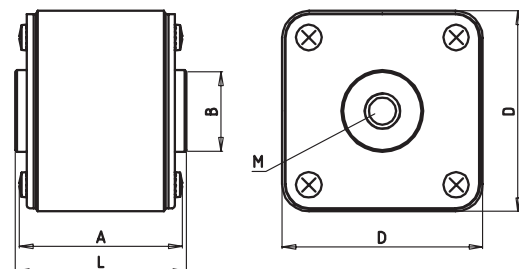
Rated Voltage
AC 1100-1250/1300 V

Standard
UNC Threads

Rated Current [A]	Part No.	UL Rec.	Rated Voltage [V]	Weight [kg/1]	Pack
250	20 773 31.250	✓	1250/1300	0.73	3
280	20 773 31.280	✓	1250/1300	0.73	3
315	20 773 31.315	✓	1250/1300	0.73	3
350	20 773 31.350	✓	1250/1300	0.73	3
400	20 773 31.400	✓	1250/1300	0.73	3
450	20 773 31.450	✓	1250/1300	0.73	3
500	20 773 31.500	✓	1250/1300	0.73	3
550	20 773 31.550	✓	1250/1300	0.73	3
630	20 773 31.630	✓	1250/1300	0.73	3
700	20 773 31.700	✓	1100/1200	0.73	3
800	20 773 31.800	✓	1100	0.73	3

Techn. Data
Page URS 77

- A 2.78" (70.5 mm)
- B 0.94" (24 mm)
- D 2.36" (60 mm)
- L 2.90" (73.5 mm)
- M 3/8"

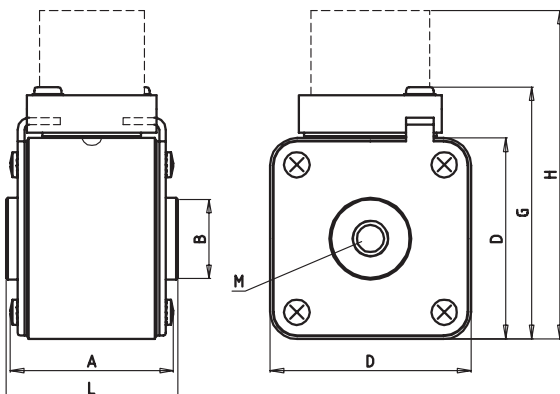




Fuses for Semiconductor Protection
North American and European Standard Type SQB

Size SQB2	Rated Voltage AC 1100-1250/1300 V	Micro Switch Fitting	Standard UNC Threads
---------------------	---	----------------------	--------------------------------

Rated Current [A]	Part No.	UL Rec.	Rated Voltage [V]	Weight [kg/1]	Pack
250	20 774 32.250	✓	1250/1300	0.73	3
280	20 774 32.280	✓	1250/1300	0.73	3
315	20 774 32.315	✓	1250/1300	0.73	3
350	20 774 32.350	✓	1250/1300	0.73	3
400	20 774 32.400	✓	1250/1300	0.73	3
450	20 774 32.450	✓	1250/1300	0.73	3
500	20 774 32.500	✓	1250/1300	0.73	3
550	20 774 32.550	✓	1250/1300	0.73	3
630	20 774 32.630	✓	1250/1300	0.73	3
700	20 774 32.700	✓	1100/1200	0.73	3
800	20 774 32.800	✓	1100	0.73	3



Techn. Data
Page URS 77

A	2.78" (70.5 mm)
B	0.94" (24 mm)
D	2.36" (60 mm)
G	2.95" (75 mm)
H	3.86" (98 mm)
L	2.90" (73.5 mm)
M	3/8"



Fuses for Semiconductor Protection
North American and European Standard Type SQB

Size
SQB3

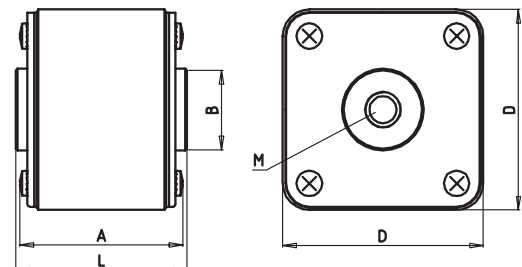
Rated Voltage
AC 900-1250/1300 V

Standard
UNC Threads

Rated Current [A]	Part No.	UL Rec.	Rated Voltage [V]	Weight [kg/1]	Pack
315	20 783 31.315	✓	1250/1300	1.02	3
350	20 783 31.350	✓	1250/1300	1.02	3
400	20 783 31.400	✓	1250/1300	1.02	3
450	20 783 31.450	✓	1250/1300	1.02	3
500	20 783 31.500	✓	1250/1300	1.02	3
550	20 783 31.550	✓	1250/1300	1.02	3
630	20 783 31.630	✓	1250/1300	1.02	3
700	20 783 31.700	✓	1250/1300	1.02	3
800	20 783 31.800	✓	1250/1300	1.02	3
1 000	20 783 31.1000	✓	1000	1.02	3
1 100	20 783 31.1100	✓	1000	1.02	3
1 250	20 783 31.1250		900	1.02	3
1 400	20 783 31.1400		900	1.02	3

Techn. Data
Page URS 78

A	2,83" (72 mm)
B	1,10" (28 mm)
D	2,87" (73 mm)
L	2,90" (73.5 mm)
M	1/2"





Fuses for Semiconductor Protection
North American and European Standard Type SQB

Size SQB3	Rated Voltage AC 900-1250/1300 V	Micro Switch Fitting	Standard UNC Threads
---------------------	--	----------------------	--------------------------------

Rated Current [A]	Part No.	UL Rec.	Rated Voltage [V]	Weight [kg/1]	Pack
315	20 784 32.315	✓	1250/1300	1.02	3
350	20 784 32.350	✓	1250/1300	1.02	3
400	20 784 32.400	✓	1250/1300	1.02	3
450	20 784 32.450	✓	1250/1300	1.02	3
500	20 784 32.500	✓	1250/1300	1.02	3
550	20 784 32.550	✓	1250/1300	1.02	3
630	20 784 32.630	✓	1250/1300	1.02	3
700	20 784 32.700	✓	1250/1300	1.02	3
800	20 784 32.800	✓	1250/1300	1.02	3
1 000	20 784 32.1000	✓	1000	1.02	3
1 100	20 784 32.1100	✓	1000	1.02	3
1 250	20 784 32.1250		900	1.02	3
1 400	20 784 32.1400		900	1.02	3
1 100	20 784 52.1100		1250	1.03	3
1 250	20 784 52.1250		1250	1.03	3
1 400	20 784 52.1400		1000	1.03	3
1 600	20 784 52.1600		900	1.03	3

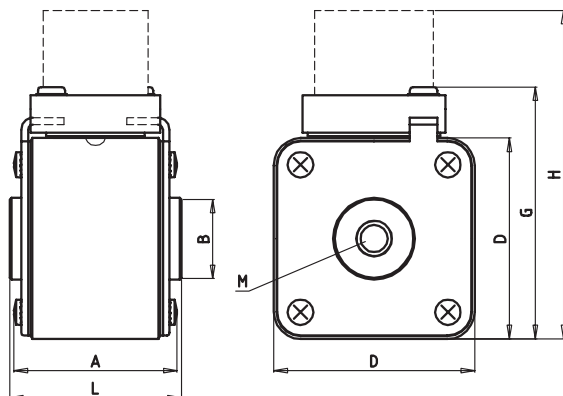
Techn. Data
Page URS 78

20 784 32

A	2.83" (72 mm)
B	1.10" (28 mm)
D	2.87" (73 mm)
G	3.46" (88 mm)
H	4.37" (111 mm)
L	2.90" (73.5 mm)
M	1/2"

20 784 52

A	3.23" (82 mm)
B	1.10" (28 mm)
D	2.87" (73 mm)
G	3.46" (88 mm)
H	4.37" (111 mm)
L	3.58" (91 mm)
M	1/2"





Fuses for Semiconductor Protection
North American and European Standard Type SQB

Size
SQB 1

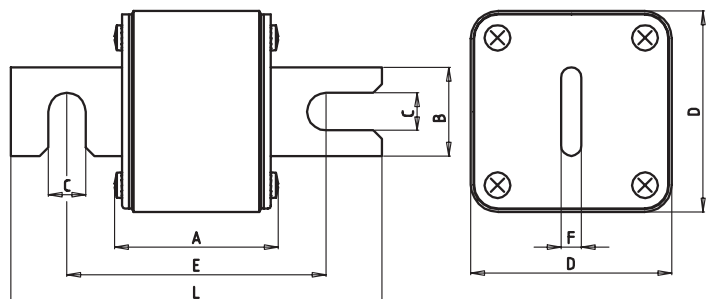
Rated Voltage
AC 1100-1250/1300 V

Standard
DIN 43653 / 110 mm Fixing

Rated Current [A]	Part No.	UL Rec.	Rated Voltage [V]	Weight [kg/1]	Pack
50	20 713 31.50	✓	1250/1300	0.54	3
63	20 713 31.63	✓	1250/1300	0.54	3
80	20 713 31.80	✓	1250/1300	0.54	3
100	20 713 31.100	✓	1250/1300	0.54	3
125	20 713 31.125	✓	1250/1300	0.54	3
160	20 713 31.160	✓	1250/1300	0.54	3
200	20 713 31.200	✓	1250/1300	0.54	3
250	20 713 31.250	✓	1250/1300	0.54	3
315	20 713 31.315	✓	1250/1300	0.54	3
350	20 713 31.350	✓	1250/1300	0.54	3
400	20 713 31.400	✓	1250/1300	0.54	3
450	20 713 31.450	✓	1250/1300	0.54	3
500	20 713 31.500	✓	1100/1200	0.54	3
550	20 713 31.550	✓	1100/1200	0.54	3
630	20 713 31.630	✓	1100/1200	0.54	3

Techn. Data
Page URS 76

A	2.87" (70.5 mm)
B	1.02" (26 mm)
C	0.43" (11 mm)
D	2.00" (51 mm)
E	4.17" (106 mm)
F	0.24" (6 mm)
L	5.43" (138 mm)

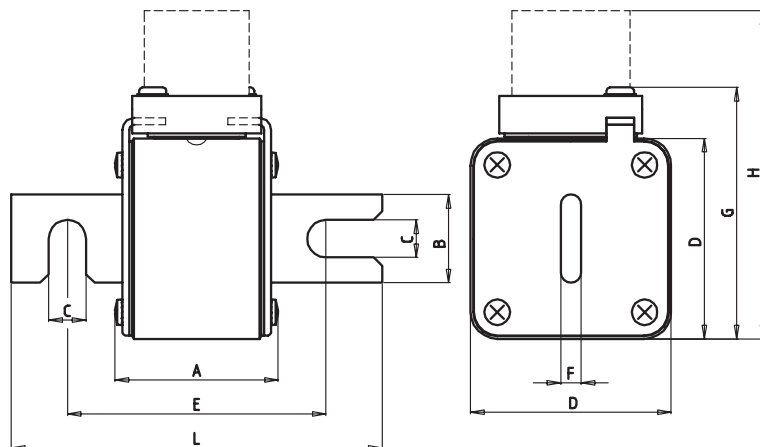




Fuses for Semiconductor Protection
North American and European Standard Type SQB

Size **SQB1** Rated Voltage **AC 1100-1250/1300 V** Micro Switch Fitting Standard **DIN 43653 / 110 mm Fixing**

Rated Current [A]	Part No.	UL Rec.	Rated Voltage [V]	Weight [kg/1]	Pack
50	20 715 32.50	✓	1250/1300	0.54	3
63	20 715 32.63	✓	1250/1300	0.54	3
80	20 715 32.80	✓	1250/1300	0.54	3
100	20 715 32.100	✓	1250/1300	0.54	3
125	20 715 32.125	✓	1250/1300	0.54	3
160	20 715 32.160	✓	1250/1300	0.54	3
200	20 715 32.200	✓	1250/1300	0.54	3
250	20 715 32.250	✓	1250/1300	0.54	3
315	20 715 32.315	✓	1250/1300	0.54	3
350	20 715 32.350	✓	1250/1300	0.54	3
400	20 715 32.400	✓	1250/1300	0.54	3
450	20 715 32.450	✓	1250/1300	0.54	3
500	20 715 32.500	✓	1100/1200	0.54	3
550	20 715 32.550	✓	1100/1200	0.54	3
630	20 715 32.630	✓	1100/1200	0.54	3



Techn. Data
Page URS 76

A	2.87" (70.5 mm)
B	1.02" (26 mm)
C	0.43" (11 mm)
D	2.00" (51 mm)
E	4.17" (106 mm)
F	0.24" (6 mm)
G	2.60" (66 mm)
H	3.50" (89 mm)
L	5.43" (138 mm)



Fuses for Semiconductor Protection
North American and European Standard Type SQB

Size
SQB2

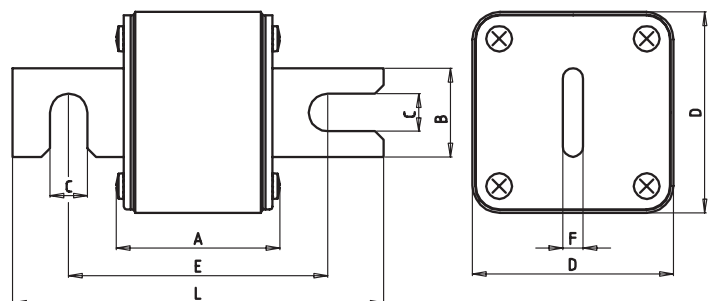
Rated Voltage
AC 1100-1250/1300 V

Standard
DIN 43653 / 110 mm Fixing

Rated Current [A]	Part No.	UL Rec.	Rated Voltage [V]	Weight [kg/1]	Pack
250	20 723 31.250	✓	1250/1300	0.75	3
280	20 723 31.280	✓	1250/1300	0.75	3
315	20 723 31.315	✓	1250/1300	0.75	3
350	20 723 31.350	✓	1250/1300	0.75	3
400	20 723 31.400	✓	1250/1300	0.75	3
450	20 723 31.450	✓	1250/1300	0.75	3
500	20 723 31.500	✓	1250/1300	0.75	3
550	20 723 31.550	✓	1250/1300	0.75	3
630	20 723 31.630	✓	1250/1300	0.75	3
700	20 723 31.700	✓	1100/1200	0.75	3
800	20 723 31.800	✓	1100	0.75	3

Techn. Data
Page URS 77

A	2.78" (70.5 mm)
B	1.02" (26 mm)
C	0.43" (11 mm)
D	2.36" (60 mm)
E	4.17" (106 mm)
F	0.24" (6 mm)
L	5.43" (138 mm)

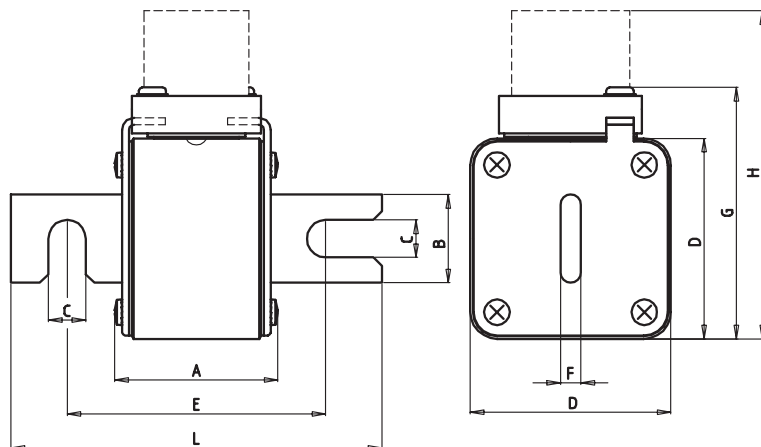




Fuses for Semiconductor Protection
North American and European Standard Type SQB

Size **SQB 2** Rated Voltage **AC 1100-1250/1300 V** Micro Switch Fitting Standard **DIN 43653 / 110 mm Fixing**

Rated Current [A]	Part No.	UL Rec.	Rated Voltage [V]	Weight [kg/1]	Pack
250	20 725 32.250	✓	1250/1300	0.75	3
280	20 725 32.280	✓	1250/1300	0.75	3
315	20 725 32.315	✓	1250/1300	0.75	3
350	20 725 32.350	✓	1250/1300	0.75	3
400	20 725 32.400	✓	1250/1300	0.75	3
450	20 725 32.450	✓	1250/1300	0.75	3
500	20 725 32.500	✓	1250/1300	0.75	3
550	20 725 32.550	✓	1250/1300	0.75	3
630	20 725 32.630	✓	1250/1300	0.75	3
700	20 725 32.700	✓	1100/1200	0.75	3
800	20 725 32.800	✓	1100	0.75	3



Techn. Data
Page URS 77

A	2.78" (70.5 mm)
B	1.02" (26 mm)
C	0.43" (11 mm)
D	2.36" (60 mm)
E	4.17" (106 mm)
F	0.24" (6 mm)
G	2.95" (75 mm)
H	3.86" (98 mm)
L	5.43" (138 mm)



Fuses for Semiconductor Protection
North American and European Standard Type SQB

Size
SQB3

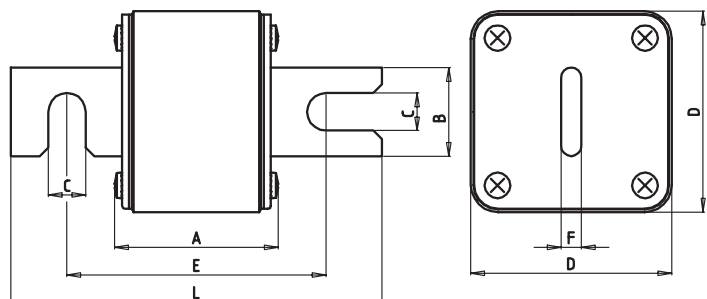
Rated Voltage
AC 900-1250/1300 V

Standard
DIN 43653 / 110 mm Fixing

Rated Current [A]	Part No.	UL Rec.	Rated Voltage [V]	Weight [kg/1]	Pack
315	20 733 31.315	✓	1250/1300	1.04	3
350	20 733 31.350	✓	1250/1300	1.04	3
400	20 733 31.400	✓	1250/1300	1.04	3
450	20 733 31.450	✓	1250/1300	1.04	3
500	20 733 31.500	✓	1250/1300	1.04	3
550	20 733 31.550	✓	1250/1300	1.04	3
630	20 733 31.630	✓	1250/1300	1.04	3
700	20 733 31.700	✓	1250/1300	1.04	3
800	20 733 31.800	✓	1250/1300	1.04	3
1 000	20 733 31.1000	✓	1000	1.04	3
1 100	20 733 31.1100	✓	1000	1.04	3
1 250	20 733 31.1250		900	1.04	3
1 400	20 733 31.1400		900	1.04	3

Techn. Data
Page URS 78

A	2.83" (72 mm)
B	1.38" (35 mm)
C	0.43" (11 mm)
D	2.87" (73 mm)
E	4.17" (106 mm)
F	0.24" (6 mm)
L	5.43" (138 mm)

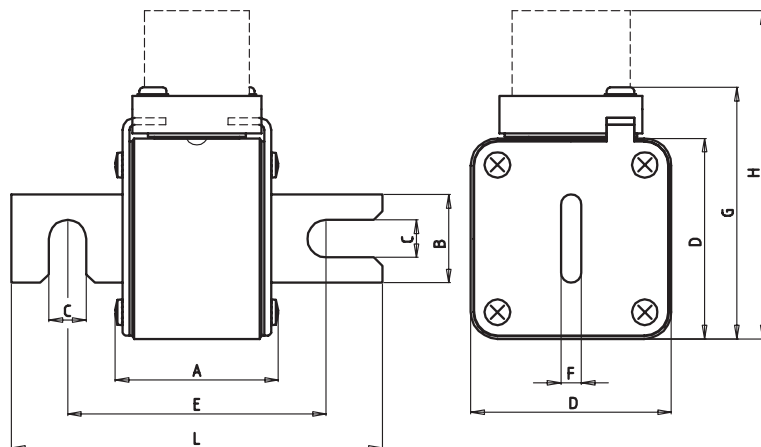




Fuses for Semiconductor Protection
North American and European Standard Type SQB

Size **SQB3** Rated Voltage **AC 900-1250/1300 V** Micro Switch Fitting Standard **DIN 43653 / 110 mm Fixing**

Rated Current [A]	Part No.	UL Rec.	Rated Voltage [V]	Weight [kg/1]	Pack
315	20 735 32.315	✓	1250/1300	1.04	3
350	20 735 32.350	✓	1250/1300	1.04	3
400	20 735 32.400	✓	1250/1300	1.04	3
450	20 735 32.450	✓	1250/1300	1.04	3
500	20 735 32.500	✓	1250/1300	1.04	3
550	20 735 32.550	✓	1250/1300	1.04	3
630	20 735 32.630	✓	1250/1300	1.04	3
700	20 735 32.700	✓	1250/1300	1.04	3
800	20 735 32.800	✓	1250/1300	1.04	3
1 000	20 735 32.1000	✓	1000	1.04	3
1 100	20 735 32.1100	✓	1000	1.04	3
1 250	20 735 32.1250		900	1.04	3
1 400	20 735 32.1400		900	1.04	3



Techn. Data
Page URS 78

A	2.83" (72 mm)
B	1.38" (35 mm)
C	0.43" (11 mm)
D	2.87" (73 mm)
E	4.17" (106 mm)
F	0.24" (6 mm)
G	3.46" (88 mm)
H	4.37" (111 mm)
L	5.43" (138 mm)



Fuses for Semiconductor Protection
North American and European Standard Type SQB

Size
SQB1

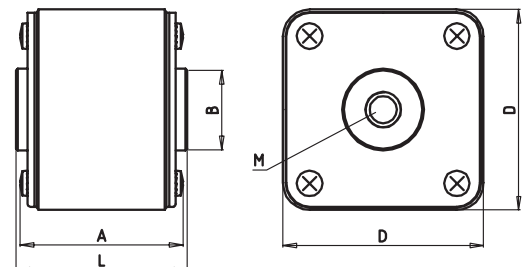
Rated Voltage
AC 1100-1250/1300 V

Standard
DIN 43653 / Metric Thread

Rated Current [A]	Part No.	UL Rec.	Rated Voltage [V]	Weight [kg/1]	Pack
50	20 760 31.50	✓	1250/1300	0.51	3
63	20 760 31.63	✓	1250/1300	0.51	3
80	20 760 31.80	✓	1250/1300	0.51	3
100	20 760 31.100	✓	1250/1300	0.51	3
125	20 760 31.125	✓	1250/1300	0.51	3
160	20 760 31.160	✓	1250/1300	0.51	3
200	20 760 31.200	✓	1250/1300	0.51	3
250	20 760 31.250	✓	1250/1300	0.51	3
315	20 760 31.315	✓	1250/1300	0.51	3
350	20 760 31.350	✓	1250/1300	0.51	3
400	20 760 31.400	✓	1250/1300	0.51	3
450	20 760 31.450	✓	1250/1300	0.51	3
500	20 760 31.500	✓	1100/1200	0.51	3
550	20 760 31.550	✓	1100/1200	0.51	3
630	20 760 31.630	✓	1100/1200	0.51	3

Techn. Data
Page URS 76

A	2.78" (70.5 mm)
B	0.94" (24 mm)
D	2.00" (51 mm)
L	2.90" (73.5 mm)
M	M 8

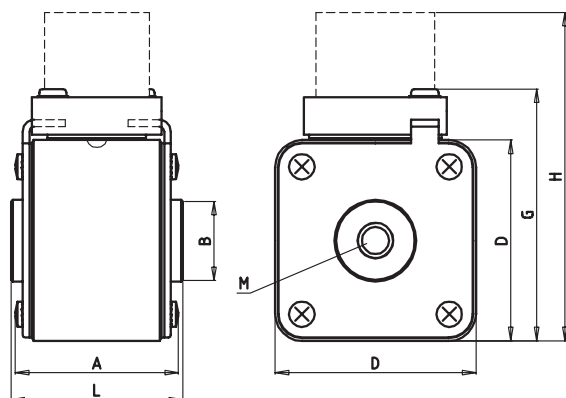




Fuses for Semiconductor Protection
North American and European Standard Type SQB

Size	Rated Voltage		Standard
SQB1	AC 1100-1250/1300 V	Micro Switch Fitting	DIN 43653 / Metric Thread

Rated Current [A]	Part No.	UL Rec.	Rated Voltage [V]	Weight [kg/1]	Pack
50	20 761 32.50	✓	1250/1300	0.51	3
63	20 761 32.63	✓	1250/1300	0.51	3
80	20 761 32.80	✓	1250/1300	0.51	3
100	20 761 32.100	✓	1250/1300	0.51	3
125	20 761 32.125	✓	1250/1300	0.51	3
160	20 761 32.160	✓	1250/1300	0.51	3
200	20 761 32.200	✓	1250/1300	0.51	3
250	20 761 32.250	✓	1250/1300	0.51	3
315	20 761 32.315	✓	1250/1300	0.51	3
350	20 761 32.350	✓	1250/1300	0.51	3
400	20 761 32.400	✓	1250/1300	0.51	3
450	20 761 32.450	✓	1250/1300	0.51	3
500	20 761 32.500	✓	1100/1200	0.51	3
550	20 761 32.550	✓	1100/1200	0.51	3
630	20 761 32.630	✓	1100/1200	0.51	3



Techn. Data
Page URS 76

A	2.78" (70.5 mm)
B	0.94" (24 mm)
D	2.00" (51 mm)
G	2.60" (66 mm)
H	3.50" (89 mm)
L	2.90" (73.5 mm)
M	M 8



Fuses for Semiconductor Protection
North American and European Standard Type SQB

Size
SQB2

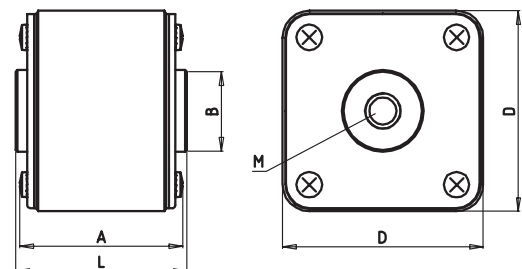
Rated Voltage
AC 1100-1250/1300 V

Standard
DIN 43653 / Metric Thread

Rated Current [A]	Part No.	UL Rec.	Rated Voltage [V]	Weight [kg/1]	Pack
250	20 770 31.250	✓	1250/1300	0.73	3
280	20 770 31.280	✓	1250/1300	0.73	3
315	20 770 31.315	✓	1250/1300	0.73	3
350	20 770 31.350	✓	1250/1300	0.73	3
400	20 770 31.400	✓	1250/1300	0.73	3
450	20 770 31.450	✓	1250/1300	0.73	3
500	20 770 31.500	✓	1250/1300	0.73	3
550	20 770 31.550	✓	1250/1300	0.73	3
630	20 770 31.630	✓	1250/1300	0.73	3
700	20 770 31.700	✓	1100/1200	0.73	3
800	20 770 31.800	✓	1100	0.73	3

Techn. Data
Page URS 77

- A** 2.78" (70.5 mm)
- B** 0.94" (24 mm)
- D** 2.36" (60 mm)
- L** 2.90" (73.5 mm)
- M** M 10

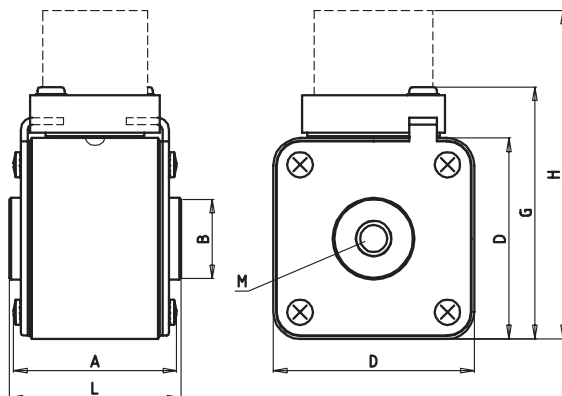




Fuses for Semiconductor Protection
North American and European Standard Type SQB

Size **SQB2** Rated Voltage **AC 1100-1250/1300 V** Micro Switch Fitting Standard **DIN 43653 / Metric Thread**

Rated Current [A]	Part No.	UL Rec.	Rated Voltage [V]	Weight [kg/1]	Pack
250	20 771 32.250	✓	1250/1300	0.73	3
280	20 771 32.280	✓	1250/1300	0.73	3
315	20 771 32.315	✓	1250/1300	0.73	3
350	20 771 32.350	✓	1250/1300	0.73	3
400	20 771 32.400	✓	1250/1300	0.73	3
450	20 771 32.450	✓	1250/1300	0.73	3
500	20 771 32.500	✓	1250/1300	0.73	3
550	20 771 32.550	✓	1250/1300	0.73	3
630	20 771 32.630	✓	1250/1300	0.73	3
700	20 771 32.700	✓	1100/1200	0.73	3
800	20 771 32.800	✓	1100	0.73	3



Techn. Data
Page URS 77

A	2.78" (70.5 mm)
B	0.94" (24 mm)
D	2.36" (60 mm)
G	2.95" (75 mm)
H	3.86" (98 mm)
L	2.90" (73.5 mm)
M	M 10



Fuses for Semiconductor Protection
North American and European Standard Type SQB

Size
SQB3

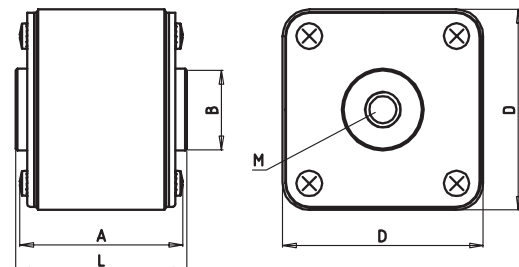
Rated Voltage
AC 900-1250/1300 V

Standard
DIN 43653 / Metric Thread

Rated Current [A]	Part No.	UL Rec.	Rated Voltage [V]	Weight [kg/1]	Pack
315	20 780 31.315	✓	1250/1300	1.02	2
350	20 780 31.350	✓	1250/1300	1.02	2
400	20 780 31.400	✓	1250/1300	1.02	2
450	20 780 31.450	✓	1250/1300	1.02	2
500	20 780 31.500	✓	1250/1300	1.02	2
550	20 780 31.550	✓	1250/1300	1.02	2
630	20 780 31.630	✓	1250/1300	1.02	2
700	20 780 31.700	✓	1250/1300	1.02	2
800	20 780 31.800	✓	1250/1300	1.02	2
1 000	20 780 31.1000	✓	1000	1.02	2
1 100	20 780 31.1100	✓	1000	1.02	2
1 250	20 780 31.1250		900	1.02	2
1 400	20 780 31.1400		900	1.02	2

Techn. Data
Page URS 78

- A** 2.83" (72 mm)
- B** 1.10" (28 mm)
- D** 2.87" (73 mm)
- L** 2.90" (73.5 mm)
- M** M 12





Fuses for Semiconductor Protection
North American and European Standard Type SQB

Size SQB3	Rated Voltage AC 900-1250/1300 V	Micro Switch Fitting	Standard DIN 43653 / Metric Thread
---------------------	--	----------------------	--

Rated Current [A]	Part No.	UL Rec.	Rated Voltage [V]	Weight [kg/1]	Pack
315	20 781 32.315	✓	1250/1300	1.02	2
350	20 781 32.350	✓	1250/1300	1.02	2
400	20 781 32.400	✓	1250/1300	1.02	2
450	20 781 32.450	✓	1250/1300	1.02	2
500	20 781 32.500	✓	1250/1300	1.02	2
550	20 781 32.550	✓	1250/1300	1.02	2
630	20 781 32.630	✓	1250/1300	1.02	2
700	20 781 32.700	✓	1250/1300	1.02	2
800	20 781 32.800	✓	1250/1300	1.02	2
1 000	20 781 32.1000	✓	1000	1.02	2
1 100	20 781 32.1100	✓	1000	1.02	2
1 250	20 781 32.1250		900	1.02	2
1 400	20 781 32.1400		900	1.02	2
1 100	20 781 52.1100		1250	1.03	2
1 250	20 781 52.1250		1250	1.03	2
1 400	20 781 52.1400		1000	1.03	2
1 600	20 781 52.1600		900	1.03	2

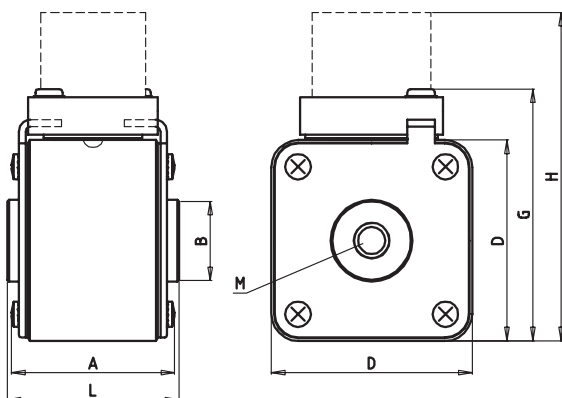
Techn. Data
Page URS 78

20 781 32

- A** 2.85" (72 mm)
- B** 1.10" (28 mm)
- D** 2.87" (73 mm)
- G** 3.46" (88 mm)
- H** 4.37" (111 mm)
- L** 2.90" (73.5 mm)
- M** M 12

20 781 52

- A** 3.83" (82 mm)
- B** 1.10" (28 mm)
- D** 2.87" (73 mm)
- G** 3.46" (88 mm)
- H** 4.37" (111 mm)
- L** 3.58" (91 mm)
- M** M 12





Fuses for Semiconductor Protection
North American and European Standard Type SQB

Size
SQB2-2

Rated Voltage
AC 1000-1250 V

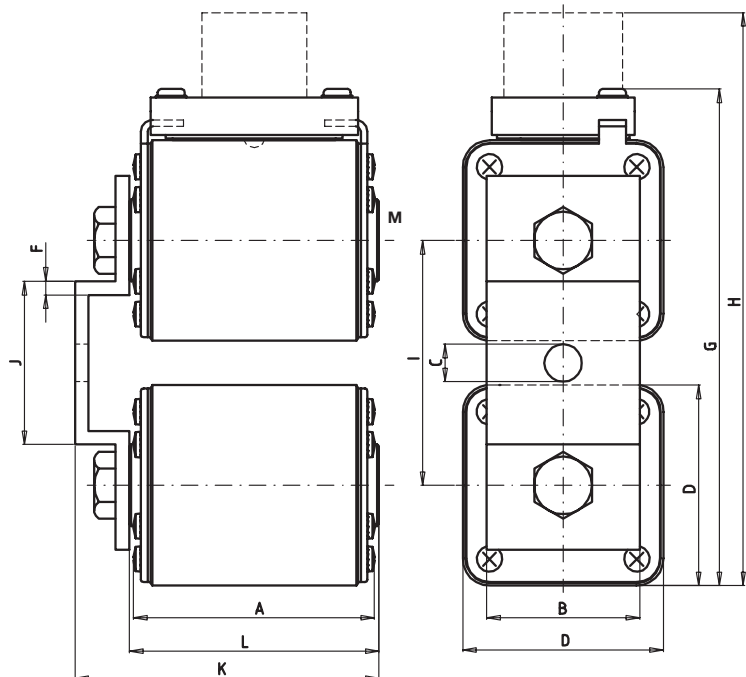
Standard
DIN 43653 / Metric Thread

Rated Current [A]	Part No.	UL Rec.	Rated Voltage [V]	Weight [kg/1]	Pack
630	20 778 32.630	✓	1 250	1.45	1
700	20 778 32.700	✓	1 250	1.45	1
800	20 778 32.800	✓	1 250	1.45	1
900	20 778 32.900	✓	1 250	1.45	1
1 000	20 778 32.1000	✓	1 250	1.45	1
1 100	20 778 32.1100	✓	1 250	1.45	1
1 250	20 778 32.1250	✓	1 250	1.45	1
1 400	20 778 32.1400	✓	1 100	1.45	1
1 600	20 778 32.1600	✓	1 000	1.45	1

Double Body

Techn. Data
Page URS 79

- A** 2.78" (70,5 mm)
- B** 1.77" (45 mm)
- C** 0.43" (11 mm)
- D** 2.32" (59 mm)
- F** 0.16" (4 mm)
- G** 5.83" (148 mm)
- H** 6.61" (168 mm)
- I** 2.83" (72 mm)
- J** 1.89" (48 mm)
- K** 3.54" (90 mm)
- L** 2.89" (73.5 mm)
- M** M 10



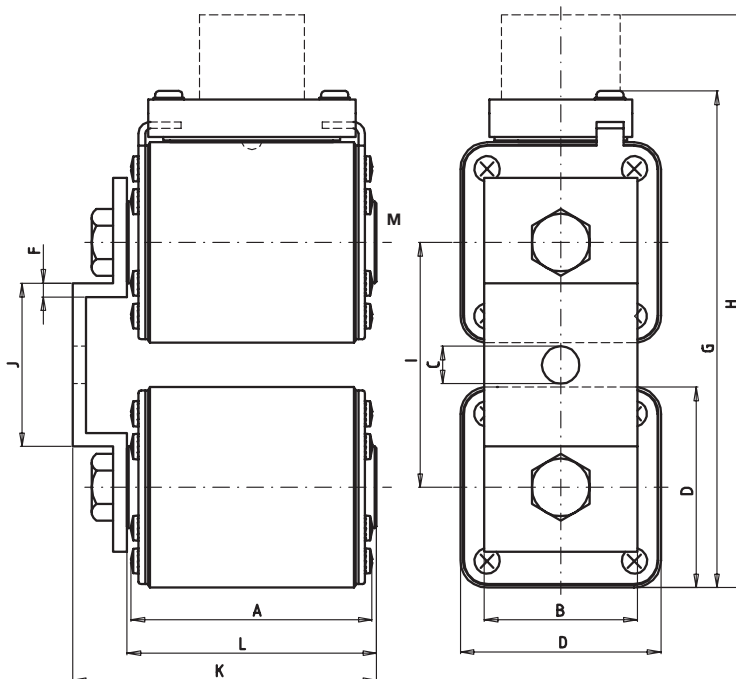


Fuses for Semiconductor Protection
North American and European Standard Type SQB

Size **SQB3-2** Rated Voltage **AC 1000-1250 V** Standard **DIN 43653 / Metric Thread**

Rated Current [A]	Part No.	UL Rec.	Rated Voltage [V]	Weight [kg/1]	Pack
800	20 788 32.800	✓	1 250	2.65	1
900	20 788 32.900	✓	1 250	2.65	1
1 000	20 788 32.1000	✓	1 250	2.65	1
1 250	20 788 32.1250	✓	1 250	2.65	1
1 400	20 788 32.1400	✓	1 250	2.65	1
1 600	20 788 32.1600	✓	1 250	2.65	1
1 800	20 788 32.1800	✓	1 250	2.65	1
2 000	20 788 32.2000	✓	1 000	2.65	1
2 200	20 788 32.2200	✓	1 000	2.65	1
2 500	20 788 32.2500	✓	900	2.65	1
2 800	20 788 32.2800	✓	850	2.65	1

Double Body



Techn. Data
Page URS 80

- A 2.83" (72 mm)
- B 1.97" (50 mm)
- C 0.51" (13 mm)
- D 2.87" (73 mm)
- F 0.16" (4 mm)
- G 6.77" (172 mm)
- H 7.94" (195 mm)
- I 3.39" (86 mm)
- J 2.13" (54 mm)
- K 3.54" (90 mm)
- L 2.89" (73,5 mm)
- M M 12

Size
SQB1

Rated Voltage
AC 690/700 V

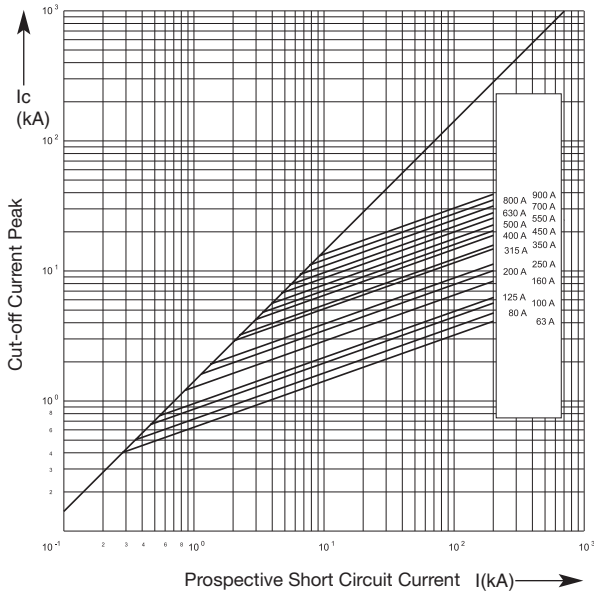
Operating Class
aR

Rated Breaking Capacity
200 kA

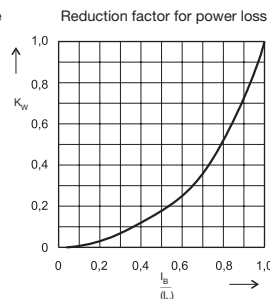
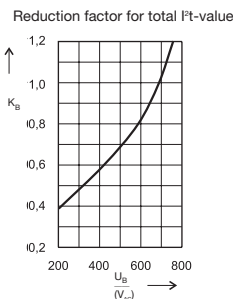
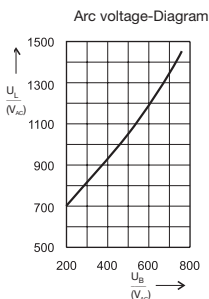
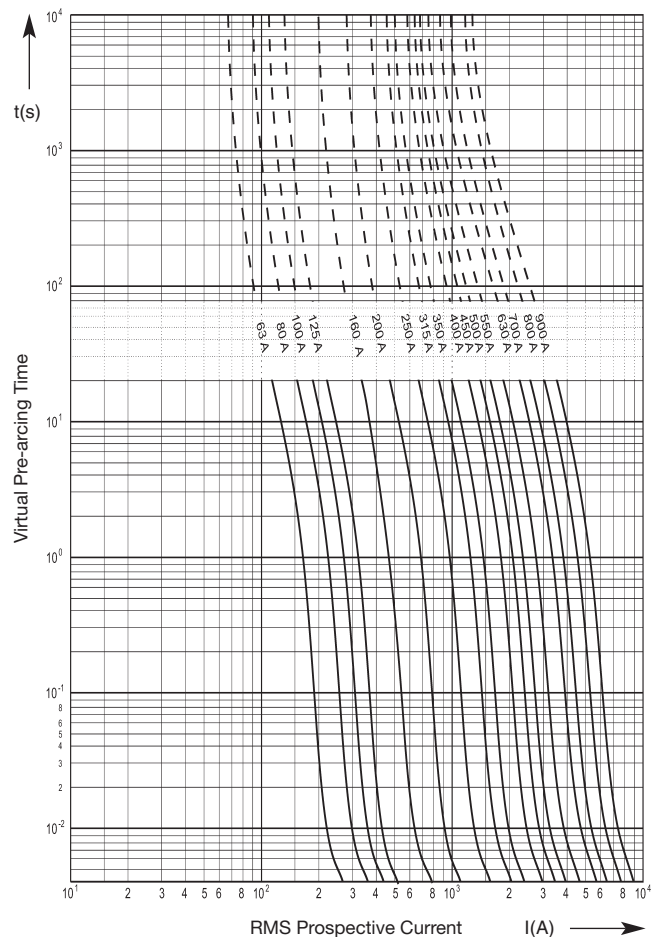
Rated Current [A]	Rated Voltage IEC 60269-4 [V]	Rated Voltage UL 248-13 [V]	Power loss [W]	Pre-arcing I ² t-value [A ² s]	Total I ² t-value @ AC 660 V [A ² s]
63	690	700	19	160	850
80	690	700	24	260	1 400
100	690	700	30	420	2 300
125	690	700	35	600	3 100
160	690	700	40	1 400	7 500
200	690	700	44	2 400	13 000
250	690	700	51	3 700	21 000
315	690	700	59	6 600	39 000
350	690	700	61	9 900	55 000
400	690	700	65	17 000	96 000
450	690	700	70	22 000	130 000
500	690	700	72	31 000	180 000
550	690	700	75	41 000	250 000
630	690	700	80	61 000	370 000
700	690*	700	85	86 000	490 000
800	690*	700	99	120 000	750 000
900	600*	700	105	170 000	990 000

* tested @ 1.05 x U_n

Cut-Off Characteristics



Time-Current Characteristics

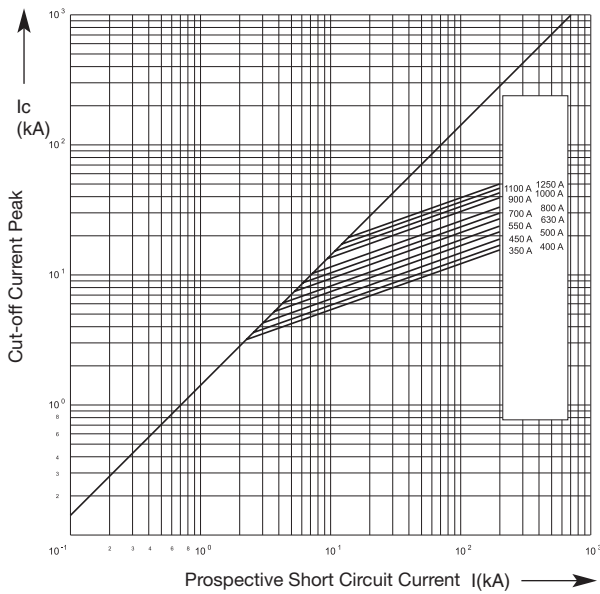


Size SQB2	Rated Voltage AC 690/700 V	Operating Class aR	Rated Breaking Capacity 200 kA
---------------------	--------------------------------------	------------------------------	--

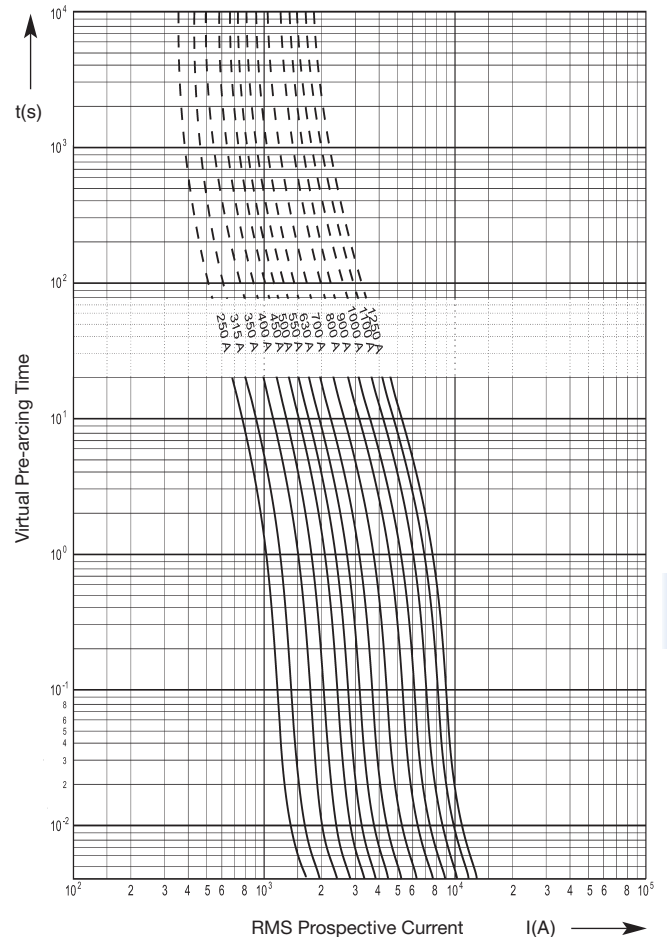
Rated Current [A]	Rated Voltage IEC 60269-4 [V]	Rated Voltage UL 248-13 [V]	Power Loss [W]	Pre-arcing I ² t-value [A ² s]	Total I ² t-value @ AC 660 V [A ² s]
400	690	700	65	13 000	75 000
450	690	700	75	18 000	110 000
500	690	700	80	26 000	150 000
550	690	700	85	36 000	195 000
630	690	700	94	55 000	300 000
700	690	700	99	74 000	410 000
800	690	700	108	100 000	580 000
900	690 *	700	111	170 000	950 000
1 000	690 *	700	115	230 000	1 260 000
1 100	600 *	600	130	290 000	1 600 000
1 250	600 *	—	140	370 000	2 140 000

* tested @ 1.05 x U_n

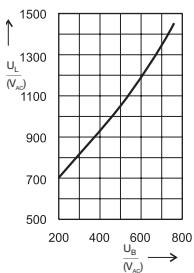
Cut-Off Characteristics



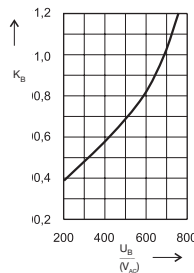
Time-Current Characteristics



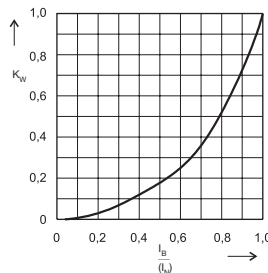
Arc voltage-Diagram



Reduction factor for total I²t-value



Reduction factor for power loss



Size
SQB3

Rated Voltage
AC 690/700 V

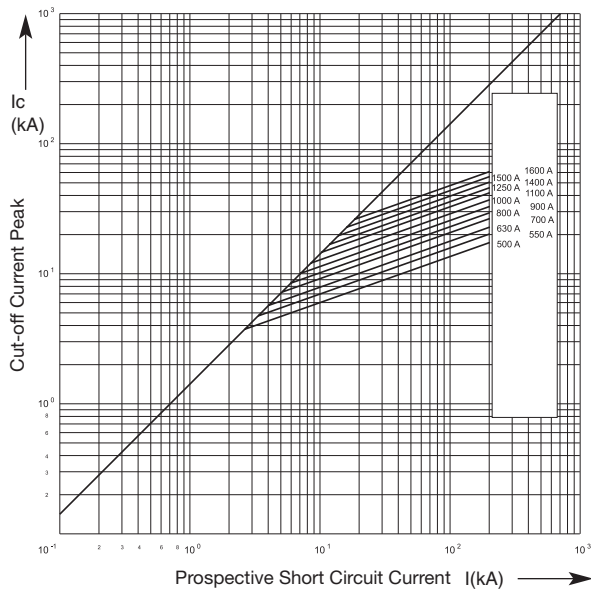
Operating Class
aR

Rated Breaking Capacity
200 kA

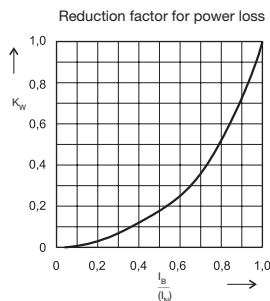
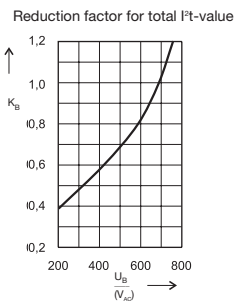
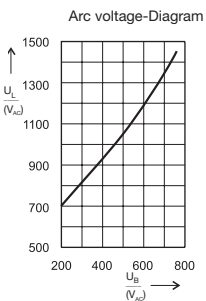
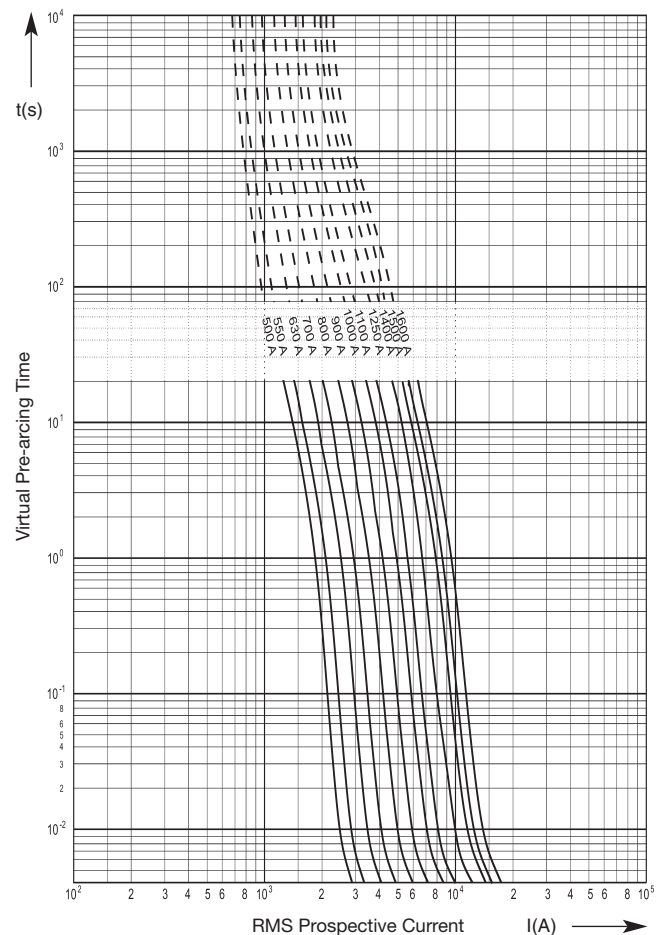
Rated Current [A]	Rated Voltage IEC 60269-4 [V]	Rated Voltage UL 248-13 [V]	Power Loss [W]	Pre-arcing I ² t-value [A ² s]	Total I ² t-value @ AC 660 V [A ² s]
500	690	700	90	18 000	100 000
550	690	700	100	22 000	130 000
630	690	700	108	31 000	190 000
700	690	700	113	50 000	300 000
800	690	700	118	85 000	480 000
900	690	700	120	115 000	660 000
1 000	690	700	131	140 000	860 000
1 100	690 *	700	136	210 000	1 200 000
1 250	690 *	700	147	290 000	1 750 000
1 400	690 *	700	161	380 000	2 200 000
1 500	600 *	—	170	490 000	3 000 000
1 600	600 *	—	190	590 000	3 700 000

* tested @ 1.05 x U_n

Cut-Off Characteristics



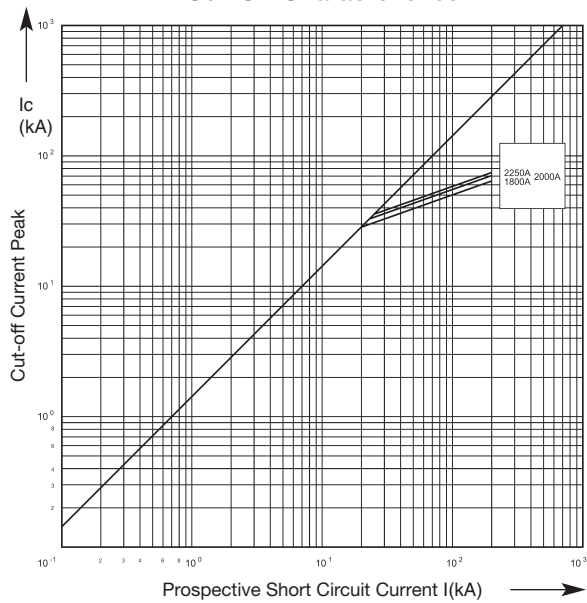
Time-Current Characteristics



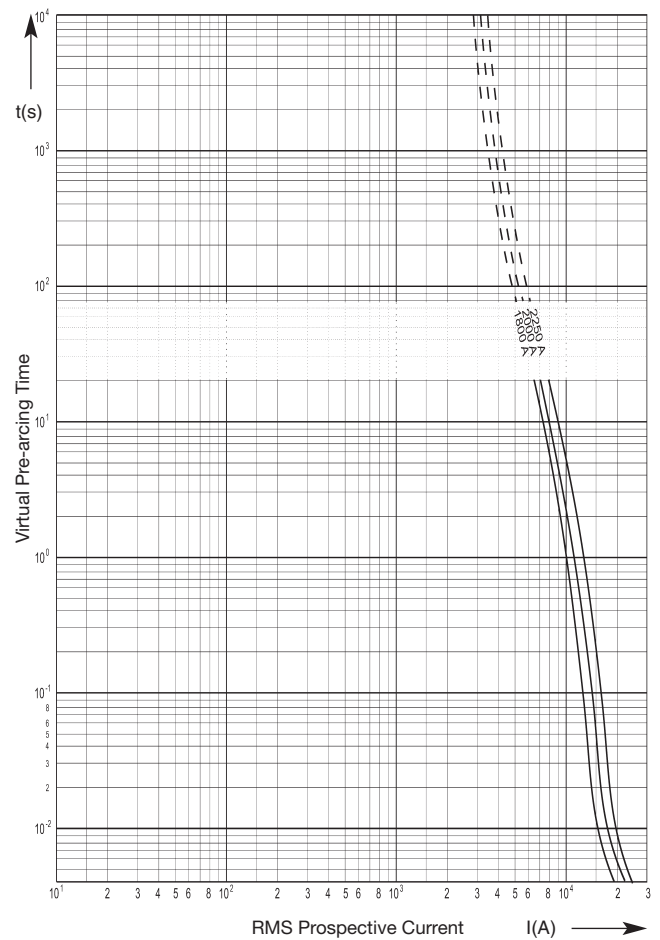
Size SQB3	Rated Voltage AC 550/500 V	Operating Class aR	Rated Breaking Capacity 200 kA
---------------------	--------------------------------------	------------------------------	--

Rated Current [A]	Rated Voltage IEC 60269-4 [V]	Rated Voltage UL 248-13 [V]	Power Loss [W]	Pre-arcing I ² t-value [A ² s]	Total I ² t-value [A ² s]
1 800	550	–	225	795 000	3 720 000
2 000	550	–	250	1 000 000	4 950 000
2 250	500	–	275	1 190 000	6 000 000

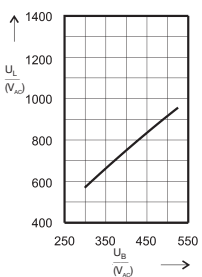
Cut-Off Characteristics



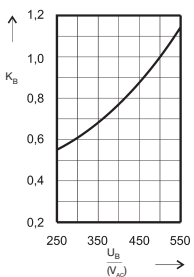
Time-Current Characteristics



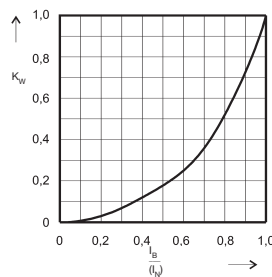
Arc voltage-Diagram



Reduction factor for total I²t-value



Reduction factor for power loss

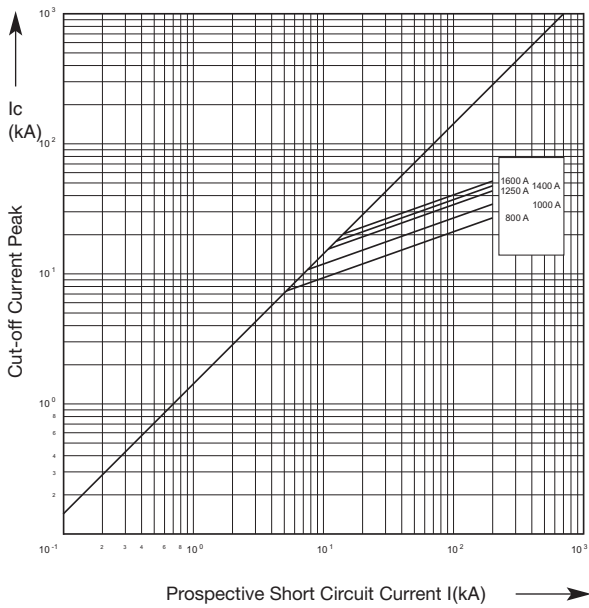


Size SQB2-2	Rated Voltage AC 690/700 V	Operating Class aR	Rated Breaking Capacity 200 kA
-----------------------	--------------------------------------	------------------------------	--

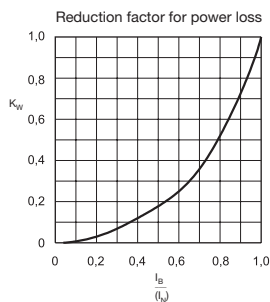
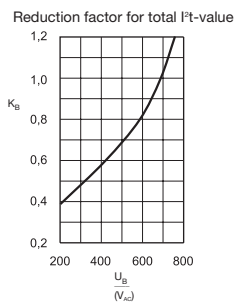
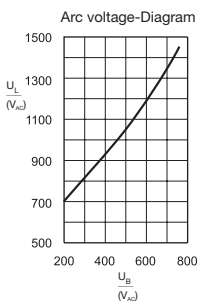
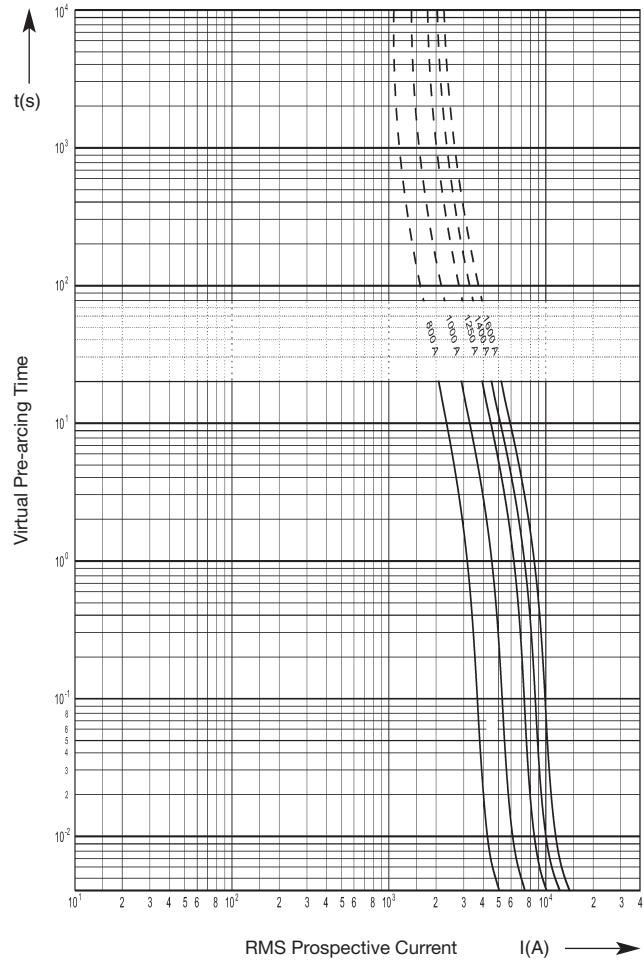
Rated Current [A]	Rated Voltage IEC 60269-4 [V]	Rated Voltage UL 248-13 [V]	Part No.	Power Loss [W]	Pre-arcing I ² t-value [A ² s]	Total I ² t-value @ AC 660 V [A ² s]
800	690	–	20 678 32.800	136	52 000	300 000
1 000	690	–	20 678 32.1000	168	104 000	600 000
1 250	690	–	20 678 32.1250	197	220 000	1 200 000
1 400	690	–	20 678 32.1400	208	296 000	1 640 000
1 600	690	–	20 678 32.1600	299	400 000	2 320 000

Double Body

Cut-Off Characteristics



Time-Current Characteristics



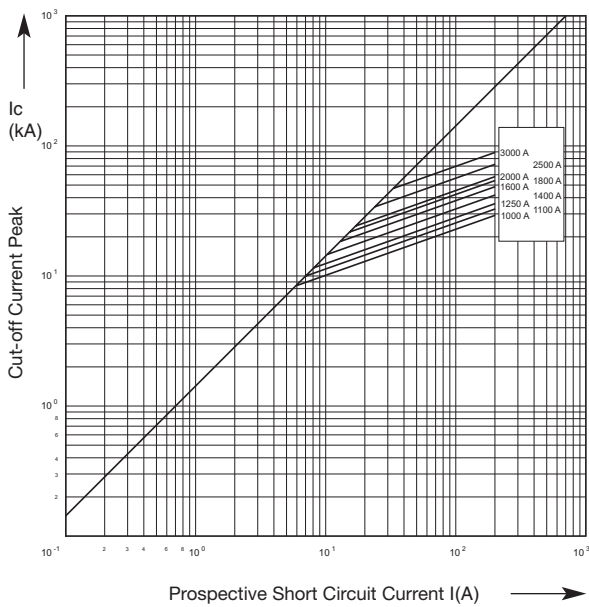
Size SQB3-2	Rated Voltage AC 690/700 V	Operating Class aR	Rated Breaking Capacity 200 kA
-----------------------	--------------------------------------	------------------------------	--

Rated Current [A]	Rated Voltage IEC 60269-4 [V]	Rated Voltage UL 248-13 [V]	Part No.	Power Loss [W]	Pre-arcing I ² t-value [A ² s]	Total I ² t-value @ AC 660 V [A ² s]
1 000	690	—	20 688 32.1000	190	70 100	421 000
1 100	690	—	20 688 32.1100	205	90 000	540 000
1 250	690	—	20 688 32.1250	227	128 000	760 000
1 400	690	—	20 688 32.1400	237	200 000	1 200 000
1 600	690	—	20 688 32.1600	248	340 000	1 920 000
1 800	690	—	20 688 32.1800	252	460 000	2 640 000
2 000	690	—	20 688 32.2000	276	560 000	3 440 000
2 500	690*	—	20 688 32.2500	310	1 160 000	7 000 000
3 000	690*	—	20 688 32.3000	359	1 960 000	12 000 000

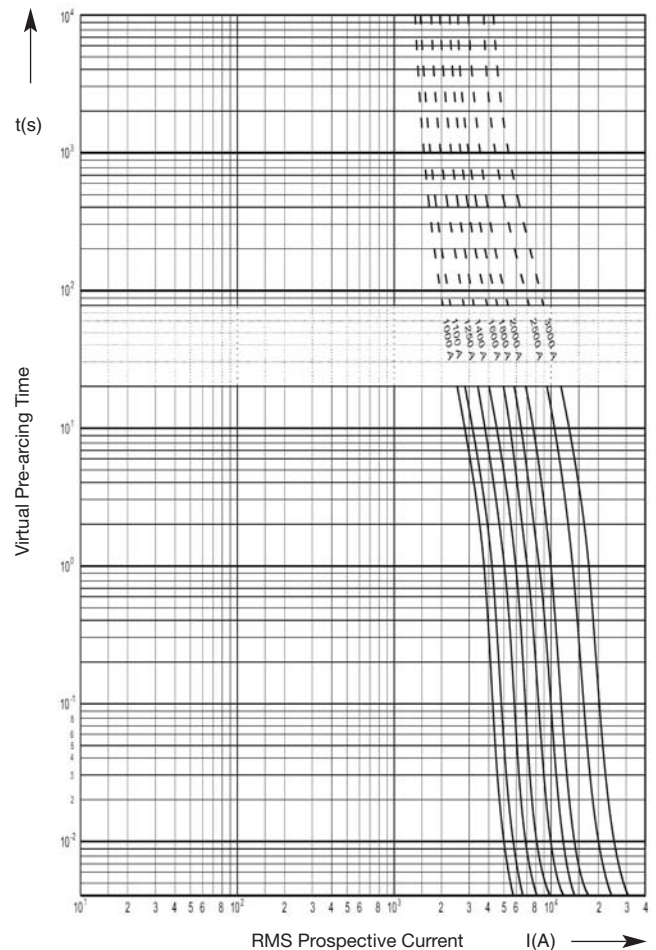
Double body

* tested @ 1.05 x U_n

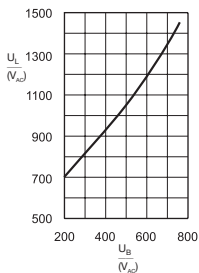
Cut-Off Characteristics



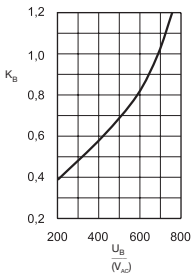
Time-Current Characteristics



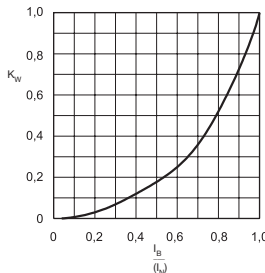
Arc voltage-Diagram



Reduction factor for total I²t-value



Reduction factor for power loss



Size
SQB1

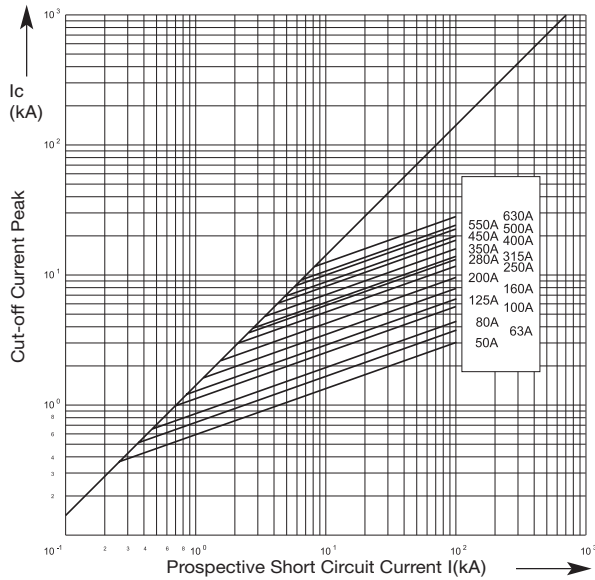
Rated Voltage
AC 1250/1300 V

Operating Class
aR

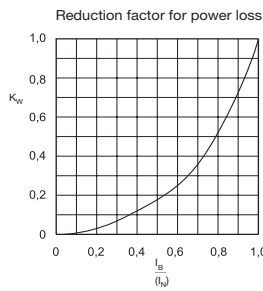
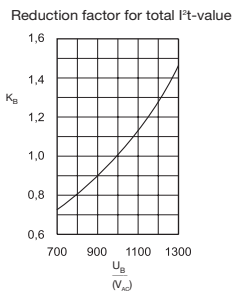
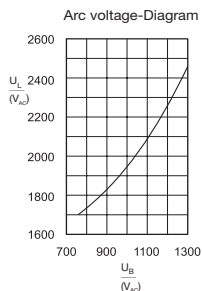
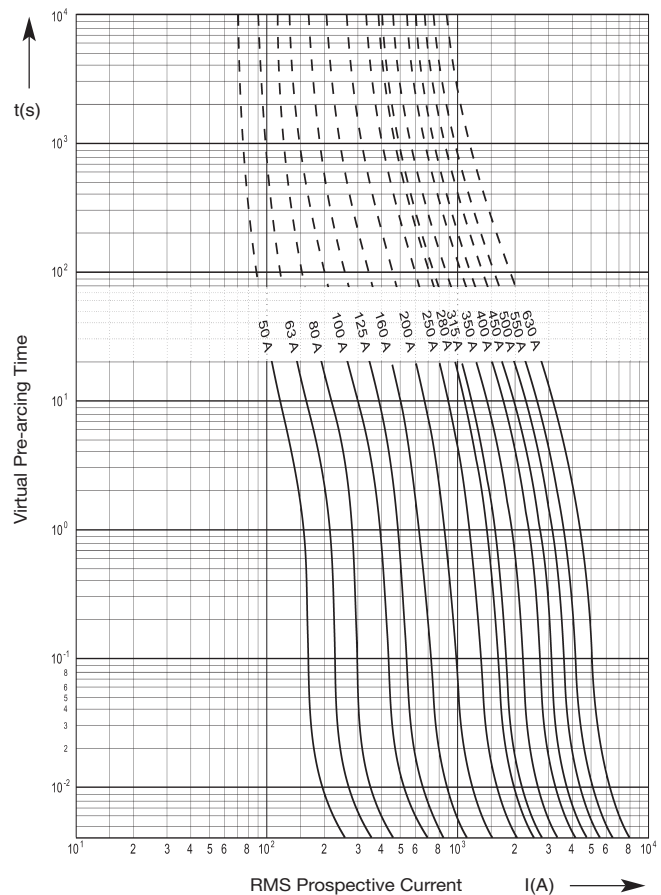
Rated Breaking Capacity
100 kA

Rated Current [A]	Rated Voltage IEC 60269-4 [V]	Rated Voltage UL 248-13 [V]	Power Loss [W]	Pre-arcing I ² t-value [A ² s]	Total I ² t-value @ 1000 V [A ² s]
50	1 250	1 300	29	130	730
63	1 250	1 300	32	250	1 400
80	1 250	1 300	35	410	2 300
100	1 250	1 300	38	930	5 200
125	1 250	1 300	41	1 400	7 800
160	1 250	1 300	45	2 500	14 000
200	1 250	1 300	49	4 600	25 000
250	1 250	1 300	58	8 400	46 000
280	1 250	1 300	60	12 500	64 000
315	1 250	1 300	67	15 000	81 000
350	1 250	1 300	70	22 000	120 000
400	1 250	1 300	75	36 000	200 000
450	1 250	1 300	80	44 000	250 000
500	1 100	1 200	87	66 000	340 000
550	1 100	1 200	94	83 000	430 000
630	1 100	1 200	99	126 000	670 000

Cut-Off Characteristics



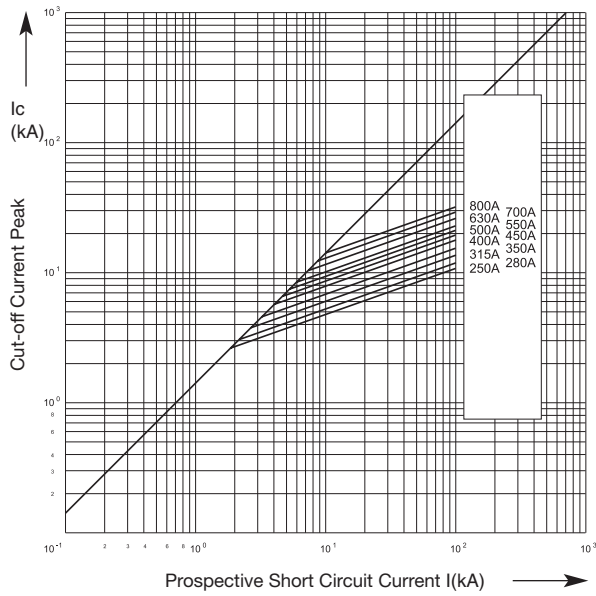
Time-Current Characteristics



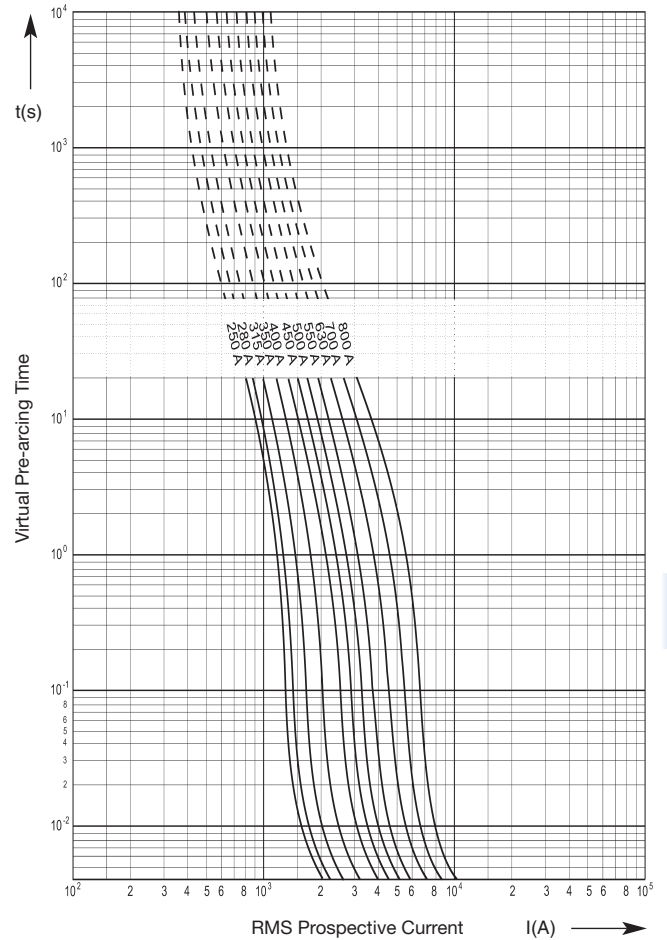
Size SQB2	Rated Voltage AC 1250/1300 V	Operating Class aR	Rated Breaking Capacity 100 kA
---------------------	--	------------------------------	--

Rated Current [A]	Rated Voltage IEC 60269-4 [V]	Rated Voltage UL 248-13 [V]	Power Loss [W]	Pre-arcing I ² t-value [A ² s]	Total I ² t-value @ 1000 V [A ² s]
250	1 250	1 300	55	8 200	45 000
280	1 250	1 300	59	9 900	56 000
315	1 250	1 300	66	14 000	78 000
350	1 250	1 300	71	20 000	110 000
400	1 250	1 300	75	31 000	170 000
450	1 250	1 300	80	42 000	240 000
500	1 250	1 300	90	56 000	310 000
550	1 250	1 300	105	71 000	350 000
630	1 250	1 300	110	105 000	540 000
700	1 100	1 200	115	148 000	710 000
800	1 100	1 100	123	225 000	1 180 000

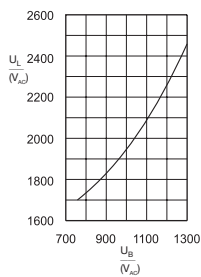
Cut-Off Characteristics



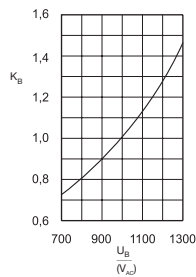
Time-Current Characteristics



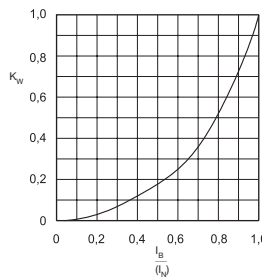
Arc voltage-Diagram



Reduction factor for total I²t-value



Reduction factor for power loss



Size
SQB3

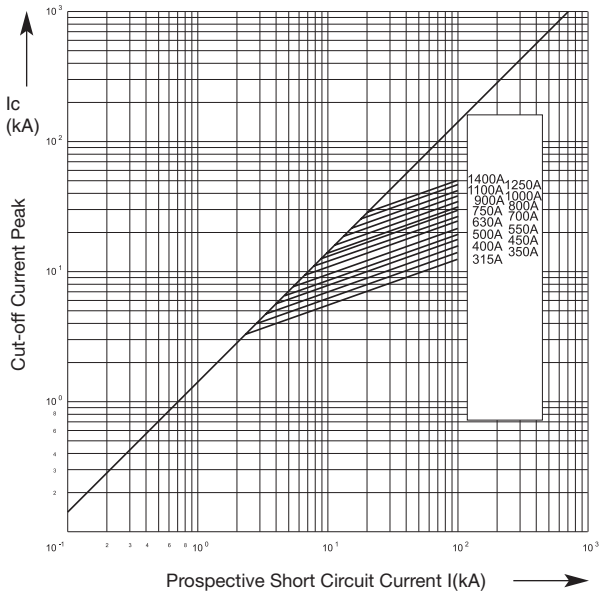
Rated Voltage
AC 1250/1300 V

Operating Class
aR

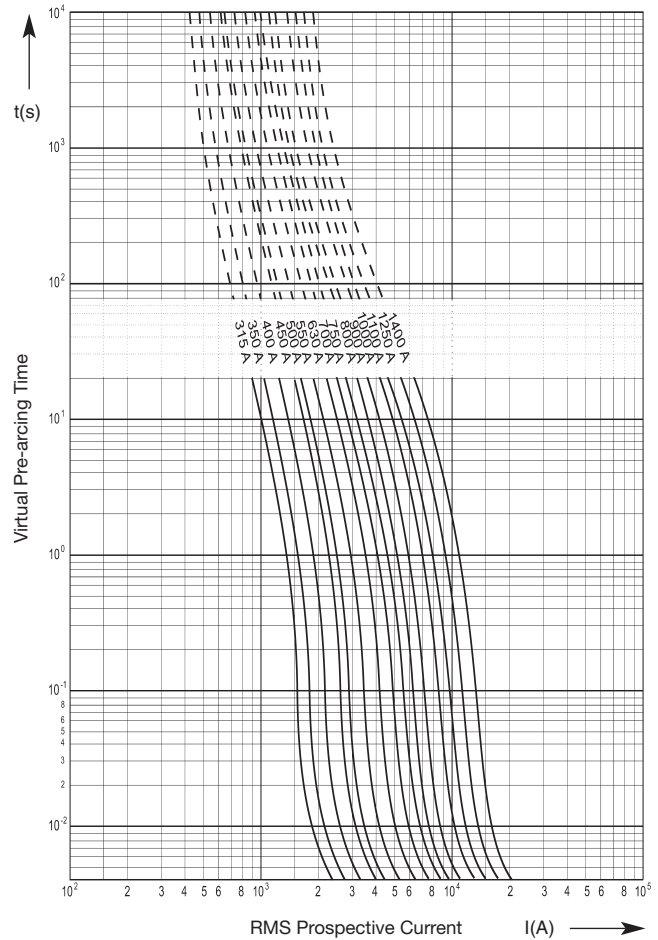
Rated Breaking Capacity
100 kA

Rated Current [A]	Rated Voltage IEC 60269-4 [V]	Rated Voltage UL 248-13 [V]	Power Loss [W]	Pre-arcing I ² t-value [A ² s]	Total I ² t-value @ 1000 V [A ² s]
315	1 250	1 300	83	11 000	60 000
350	1 250	1 300	85	15 000	90 000
400	1 250	1 300	92	22 000	130 000
450	1 250	1 300	99	33 000	190 000
500	1 250	1 300	110	42 000	230 000
550	1 250	1 300	115	56 000	320 000
630	1 250	1 300	120	83 000	480 000
700	1 250	1 300	131	113 000	640 000
800	1 250	1 300	135	201 000	1 070 000
900	1 200	1 300	140	236 000	1 300 000
1 000	1 000	1 000	150	350 000	1 900 000
1 100	1 000	1 000	174	443 000	2 400 000
1 250	900	–	198	652 000	3 300 000
1 400	900	–	210	852 000	3 900 000

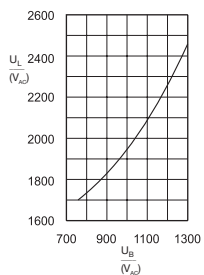
Cut-Off Characteristics



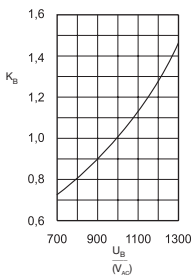
Time-Current Characteristics



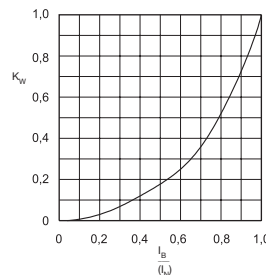
Arc voltage-Diagram



Reduction factor for total I²t-value



Reduction factor for power loss

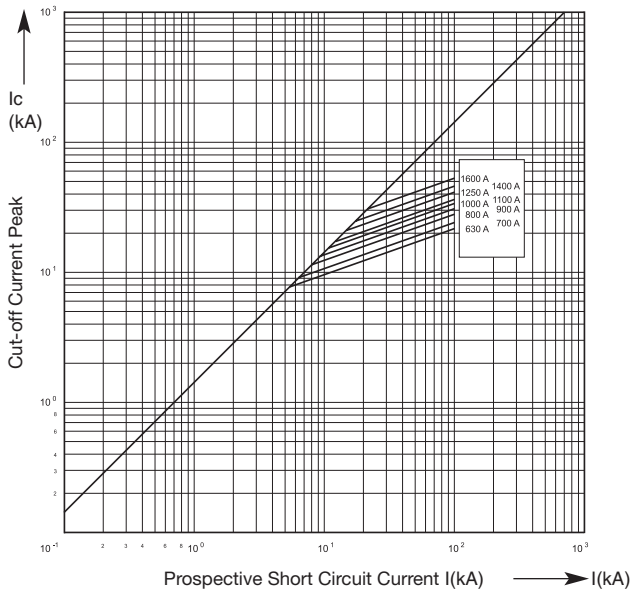


Size SQB2-2	Rated Voltage AC 1000-1250 V	Operating Class aR	Rated Breaking Capacity 100 kA
-----------------------	--	------------------------------	--

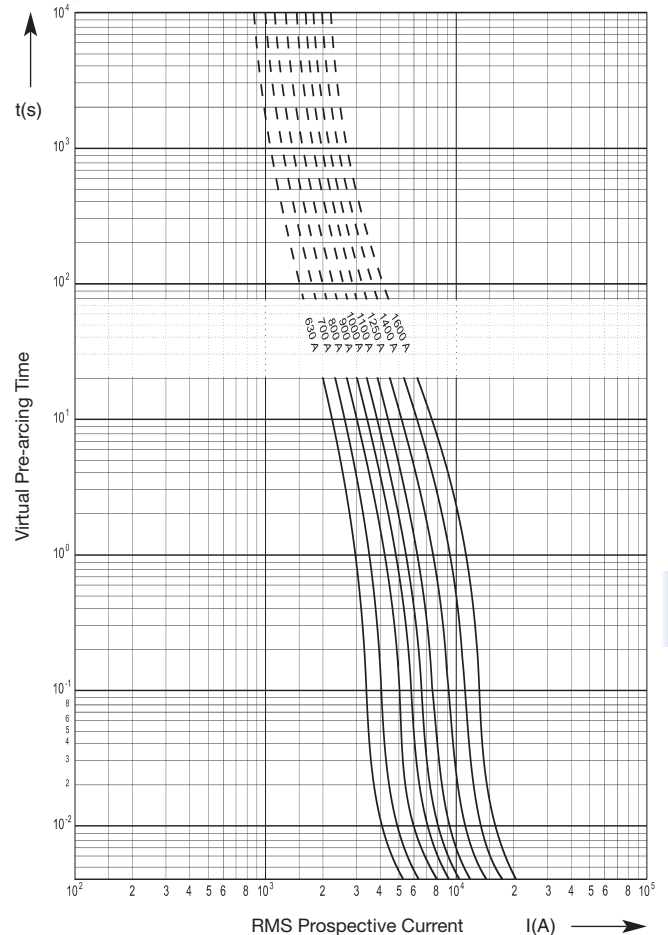
Rated Current [A]	Rated Voltage IEC 60269-4 [V]	Rated Voltage UL 248-13 [V]	Part No.	Power Loss [W]	Pre-arcing I ² t-value [A ² s]	Total I ² t-value @ 1000 V [A ² s]
630	1 250	1 300	20 778 32.630	139	56 000	312 000
700	1 250	1 300	20 778 32.700	149	80 000	440 000
800	1 250	1 300	20 778 32.800	158	124 000	680 000
900	1 250	1 300	20 778 32.900	168	168 000	960 000
1 000	1 250	1 300	20 778 32.1000	189	224 000	1 240 000
1 100	1 250	1 300	20 778 32.1100	221	284 000	1 400 000
1 250	1 250	1 300	20 778 32.1250	230	420 000	2 160 000
1 400	1 100	1 200	20 778 32.1400	242	592 000	2 840 000
1 600	1 100	1 100	20 778 32.1600	258	900 000	4 720 000

Double Body

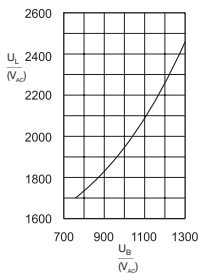
Cut-Off Characteristics



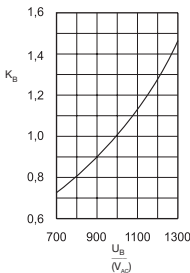
Time-Current Characteristics



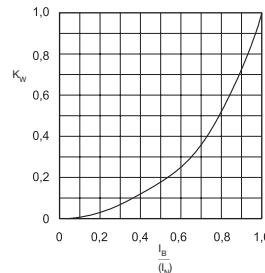
Arc voltage-Diagram



Reduction factor for total I²t-value



Reduction factor for power loss

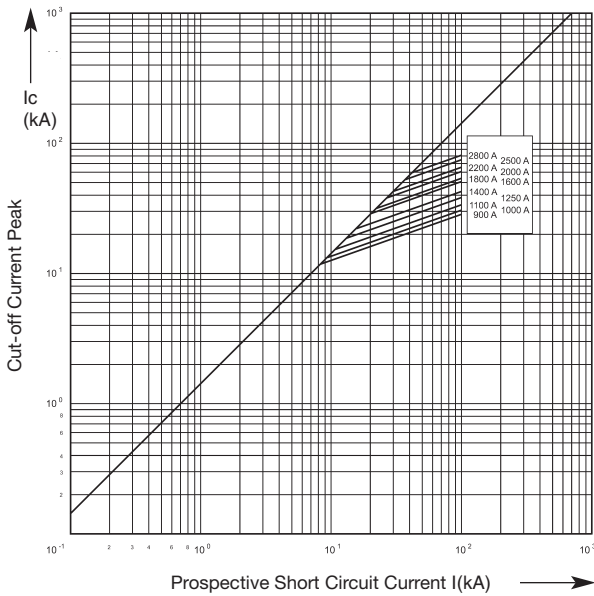


Size SQB3-2	Rated Voltage AC 1000-1250 V	Operating Class aR	Rated Breaking Capacity 100 kA
-----------------------	--	------------------------------	--

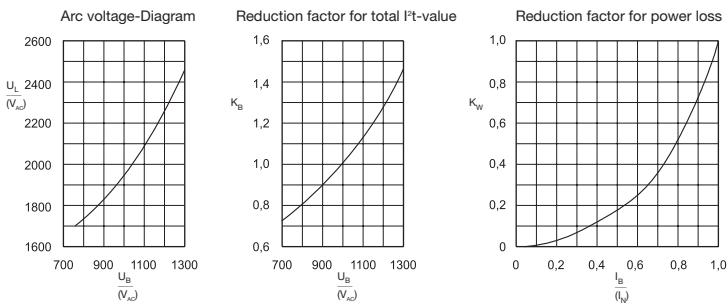
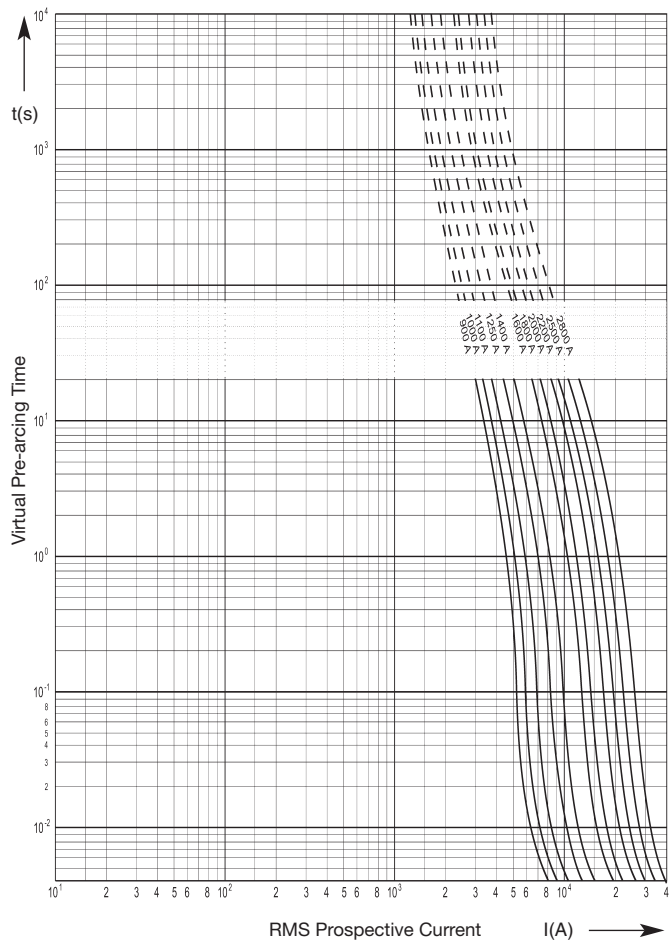
Rated Current [A]	Rated Voltage IEC 60269-4 [V]	Rated Voltage UL 248-13 [V]	Part No.	Power Loss [W]	Pre-arcing I ² t-value [A ² s]	Total I ² t-value @ 1000 V [A ² s]
800	1 250	1 300	20 788 32.800	193	88 000	520 000
900	1 250	1 300	20 788 32.900	208	132 000	760 000
1 000	1 250	1 300	20 788 32.1000	231	168 000	920 000
1 250	1 250	1 300	20 788 32.1250	252	332 000	1 920 000
1 400	1 250	1 300	20 788 32.1400	275	452 000	2 560 000
1 600	1 250	1 300	20 788 32.1600	284	804 000	4 280 000
1 800	1 200	1 300	20 788 32.1800	294	944 000	5 200 000
2 000	1 000	1 000	20 788 32.2000	315	1 400 000	7 600 000
2 200	1 000	1 000	20 788 32.2200	365	1 772 000	9 600 000
2 500	900	—	20 788 32.2500	416	2 600 000	13 200 000
2 800	850	—	20 788 32.2800	441	3 400 000	15 600 000

Double Body

Cut-Off Characteristics



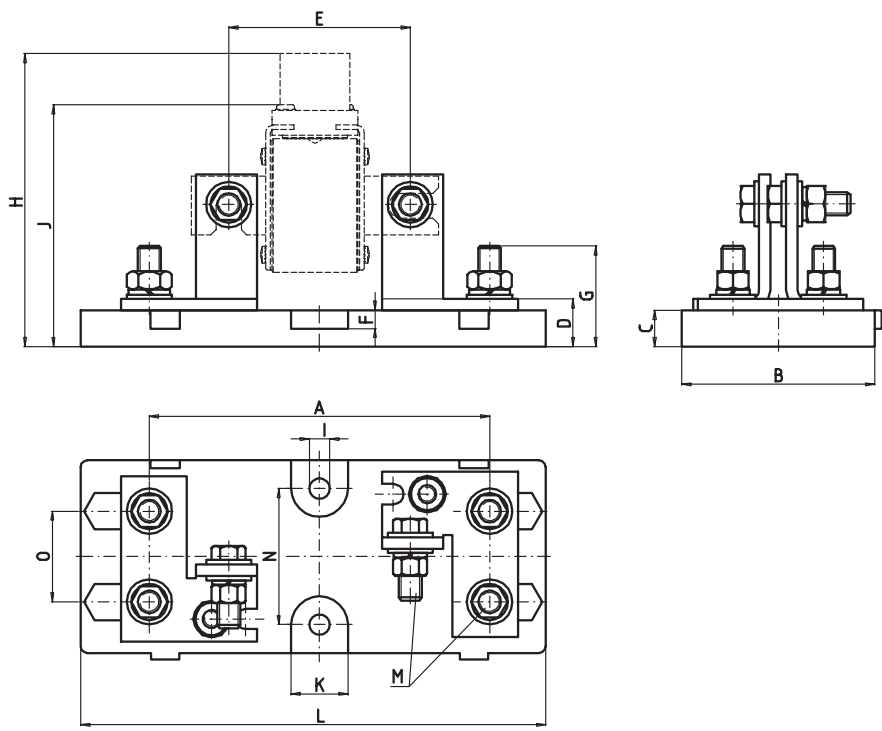
Time-Current Characteristics



Fuse-Base for Fuse-Links with Screwcontacts Size **1, 2 and 3** Rated Current **630 A** Standard **DIN 43653**

Rated Voltage [M]	Part No.	Fixing Center [mm]	Dimensions [mm]	max. Nut Torque [Nm]	Rated Power Acceptance [W]
900	21 313 01	80	150	48	60
1 400	21 323 01	110	180	48	60

UL pending



**Fixing Center
80 mm**

A	5.90" (150 mm)
B	3.35" (85 mm)
C	0.63" (16 mm)
D	0.83" (21 mm)
E	3.15" (80 mm)
F	0.30" (8 mm)
G	1.80" (46 mm)
H _(Size 1)	5.00" (127 mm)
H _(Size 2)	5.12" (130 mm)
H _(Size 3)	5.40" (137 mm)
I	0.35" (9 mm)
J _(Size 1)	4.10" (104 mm)
J _(Size 2)	4.25" (108 mm)
J _(Size 3)	4.53" (115 mm)
K	0.98" (25 mm)
L _(max)	8.07" (205 mm)
M	M 10
N	2.36" (60 mm)
O	1.57" (40 mm)

**Fixing Center
110 mm**

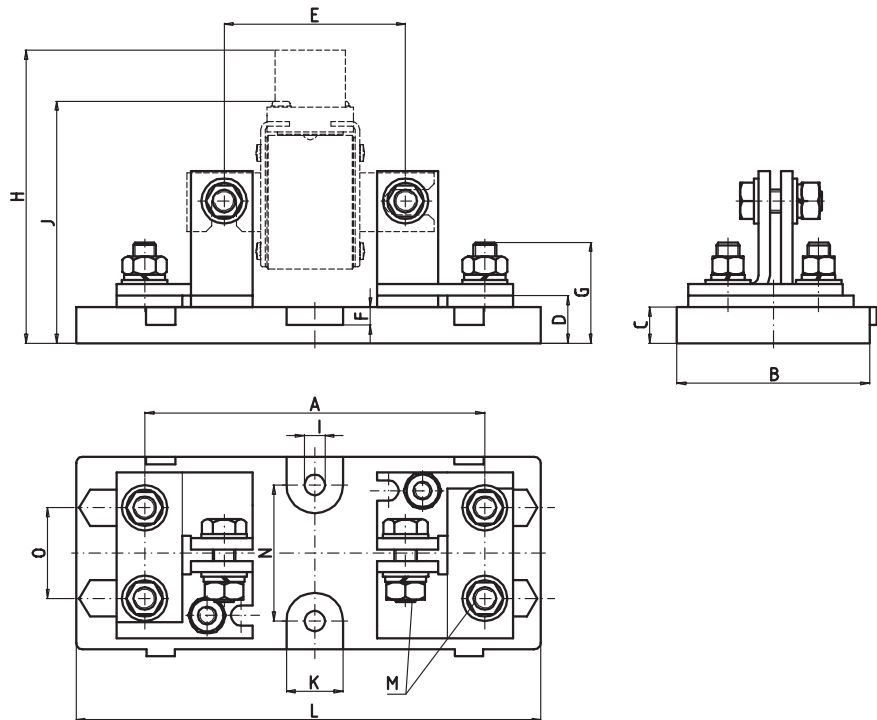
A	7.10" (180 mm)
B	3.35" (85 mm)
C	0.63" (16 mm)
D	0.83" (21 mm)
E	4.33" (110 mm)
F	0.30" (8 mm)
G	1.80" (46 mm)
H _(Size 1)	5.00" (127 mm)
H _(Size 2)	5.12" (130 mm)
H _(Size 3)	5.40" (137 mm)
I	0.35" (9 mm)
J _(Size 1)	4.10" (104 mm)
J _(Size 2)	4.25" (108 mm)
J _(Size 3)	4.53" (115 mm)
K	0.98" (25 mm)
L _(max)	8.07" (205 mm)
M	M 10
N	2.36" (60 mm)
O	1.57" (40 mm)

Fuse-Base for Fuse-Links with Screwcontacts Size **1, 2 and 3** Rated Current **1250 A** Standard **DIN 43653**

Rated Voltage [V]	Part No.	Fixing Center [mm]	Dimensions [mm]	max. Nut Torque [Nm]	Rated Power Acceptance [W]
900	21 313 02	80	150	48	110
1 400	21 323 02	110	180	48	110

**Fixing Center
110 mm**

- A** 7.10" (180 mm)
- B** 3.35" (85 mm)
- C** 0.63" (16 mm)
- D** 0.83" (21 mm)
- E** 4.33" (110 mm)
- F** 0.30" (8 mm)
- G** 1.80" (46 mm)
- H** 5.00" (127 mm)
- H**_(Size 1) 5.12" (130 mm)
- H**_(Size 2) 5.40" (137 mm)
- H**_(Size 3) 5.40" (137 mm)
- I** 0.35" (9 mm)
- J**_(Size 1) 4.10" (104 mm)
- J**_(Size 2) 4.25" (108 mm)
- J**_(Size 3) 4.53" (115 mm)
- K** 0.98" (25 mm)
- L**_(max) 8.07" (205 mm)
- M** M 10
- N** 2.36" (60 mm)
- O** 1.57" (40 mm)



**Fixing Center
80 mm**

- A** 5.90" (150 mm)
- B** 3.35" (85 mm)
- C** 0.63" (16 mm)
- D** 0.83" (21 mm)
- E** 3.15" (80 mm)
- F** 0.30" (8 mm)
- G** 1.80" (46 mm)
- H** 5.00" (127 mm)
- H**_(Size 1) 5.12" (130 mm)
- H**_(Size 2) 5.40" (137 mm)
- H**_(Size 3) 5.40" (137 mm)
- I** 0.35" (9 mm)
- J**_(Size 1) 4.10" (104 mm)
- J**_(Size 2) 4.25" (108 mm)
- J**_(Size 3) 4.53" (115 mm)
- K** 0.98" (25 mm)
- L**_(max) 8.07" (205 mm)
- M** M 10
- N** 2.36" (60 mm)
- O** 1.57" (40 mm)

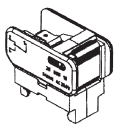


B-Switch Rated Voltage **AC 250 V** **For Fuse-Links with Adapter / For Micro switch Fitting**

Insulating Voltage up to [V]	Part No. Standard	Part No. Low level	Change-Over Circuits	Weight [g]	Pack
1 300	28 003 10	28 004 10	1	25	10
1 300	28 003 20	28 004 20	2	32	10
2 400	28 003 11	28 004 11	1	25	10
2 400	28 003 21	28 004 21	2	32	10
5 000	28 003 12	28 004 12	1	25	10
5 000	28 003 22	28 004 22	2	32	10

Type	Part No.	Insulating Voltage [V]	Interrupting Rating					
			min. Load Requirements AC / DC		Max. Data AC / DC			
			[V _{ohmsch}]	[mA]	[V]	[A]		
standard	28 003 10	1 300	5	50	AC 250	12		
	28 003 20							
	28 003 11	2 400					30	10
	28 003 21							
	28 003 12	5 000			100	5	DC 35	10
	28 003 22							

Type	Part No.	Insulating Voltage [V]	Interrupting Rating					
			min. Load Requirements AC / DC		max. Data			
			[V _{ohmsch}]	[mA]	[V]	[A]		
low level	28 004 10	1 300	5	1	AC 250	10		
	28 004 20							
	28 004 11	2 400					do not use below	
	28 004 21							
	28 004 12	5 000			DC 35	1		
	28 004 22							



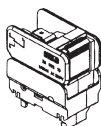
up to 1,300 V

Standard

Low Level

Part No.
28 003 10/20

Part No.
28 004 10/20



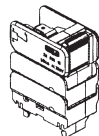
up to 2,400 V

Standard

Low Level

Part No.
28 003 11/21

Part No.
28 004 11/21



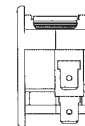
up to 5,000 V

Standard

Low Level

Part No.
28 003 12/22

Part No.
28 004 12/22



1 Change-over circuit
2 contact terminals
6,3 x 0,8 mm

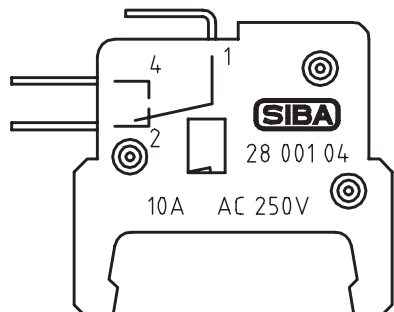


2 Change-over circuit
2x2 contact terminals
6,3 x 0,8 mm

M-Switch

Rated Voltage
AC 250 V

For Fuse-Links with Adapter / For Micro Switch Fitting



Rated Voltage	Breaking Capacity	
	Non Inductive Load	Inductive Load
AC 250 V	10 A	10 A

Rated Voltage	Breaking Capacity	
	Non Inductive Load	Inductive Load (L/R = 25 ms)
DC 250 V	200 mA	100 mA
DC 60 V	1 A	500 mA
DC 24 V	6 A	3 A