

PZ 50**Weidmüller Interface GmbH & Co. KG**

Klingenbergstraße 26

D-32758 Detmold

Germany

www.weidmueller.com

**Crimping tools for wire end ferrules, with and without plastic collars**

- Ratchet guarantees precise crimping
- Release option in the event of incorrect operation

General ordering data

Version	Pressing tool, Crimping tool for wire-end ferrules, 25mm ² , 50mm ² , Indent crimp
Order No.	9006450000
Type	PZ 50
GTIN (EAN)	4008 190095796
Qty.	1 pc(s).

Creation date September 10, 2021 10:48:29 AM CEST

Catalogue status 27.08.2021 / We reserve the right to make technical changes.

PZ 50

Weidmüller Interface GmbH & Co. KG

Klingenbergstraße 26

D-32758 Detmold

Germany

www.weidmueller.com

Technical data

Dimensions and weights

Width	250 mm	Width (inches)	9.842 inch
Weight	730 g	Net weight	595.3 g

Environmental Product Compliance

REACH SVHC	Lead 7439-92-1
------------	----------------

Technical data

Description of article	(1)Crimping tool	Version	Mechanical, without interchangeable inserts
------------------------	------------------	---------	---

Description of contact

Conductor cross-section, max. AWG	AWG 0	Conductor cross-section, min. AWG	AWG 4
Crimping range, max.	50 mm ²	Crimping range, min.	25 mm ²
Type of contact	Wire-end ferrules with/without plastic collars		

tool data crimping

Crimping profile 1, min.	25 mm ²	Crimping profile 2, min.	35 mm ²
Crimping profile 3, min.	50 mm ²	Crimping type/profile	Indent crimp
Wire end ferrules cross-section, max.	50 mm ²	Wire end ferrules cross-section, min.	25 mm ²

Classifications

ETIM 6.0	EC000168	ETIM 7.0	EC000168
ETIM 8.0	EC000168	ECLASS 9.0	21-04-38-11
ECLASS 9.1	21-04-38-11	ECLASS 10.0	21-04-38-11
ECLASS 11.0	21-04-38-11		

Approvals

Approvals



Downloads

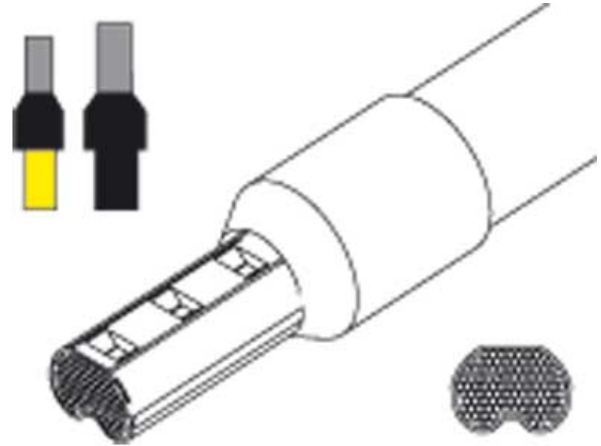
Engineering Data	STEP
Engineering Data	WSCAD
User Documentation	Manual
Catalogues	Catalogues in PDF-format
Brochures	

PZ 50

Weidmüller Interface GmbH & Co. KG
Klingenbergstraße 26
D-32758 Detmold
Germany

www.weidmueller.com

Drawings



Example of use

