



LD-PeCo-15

LD-PeCo

2D LASER SCANNERS

SICK
Sensor Intelligence.



Ordering information

Type	Part no.
LD-PeCo-15	1023383

Other models and accessories → www.sick.com/LD-PeCo



Detailed technical data

Features

Version	Mid Range
Field of application	Indoor
Light source	Infrared (905 nm)
Laser class	1, eye-safe
Aperture angle	90°
Scanning frequency	10 Hz
Operating range	5.5 m ... 15 m
Max. range with 10 % reflectivity	15 m
Corridor width	1 m ... 26 m

Performance

Detectable object shape	Almost any
Integrated application	People counting
Max. throughput speed	≤ 2.4 m/s

Interfaces

Serial (RS-422)	✓
Data transmission rate	≤ 19,200 Baud, 19,200 Baud
Switching outputs	2 („Count IN“, „Count OUT“)
Optical indicators	4 LEDs (Status display)

Mechanics/electronics

Electrical connection	1 x 10-pin terminal strip on internal circuit board
Operating voltage	≤ 24 V DC, ± 15 %
Power consumption	36 W
Housing	Polystrol
Housing color	White aluminum (RAL 9006)
Enclosure rating	IP 40 (DIN 40 050)
Weight	6 kg
Dimensions (L x W x H)	340 mm x 350 mm x 180 mm

Ambient data

Electromagnetic compatibility (EMC)	EN 61000-6-3 / EN 61000-6-1
Ambient operating temperature	0 °C ... +40 °C
Storage temperature	-20 °C ... +80 °C
Permissible relative humidity	85 %, Non-condensing

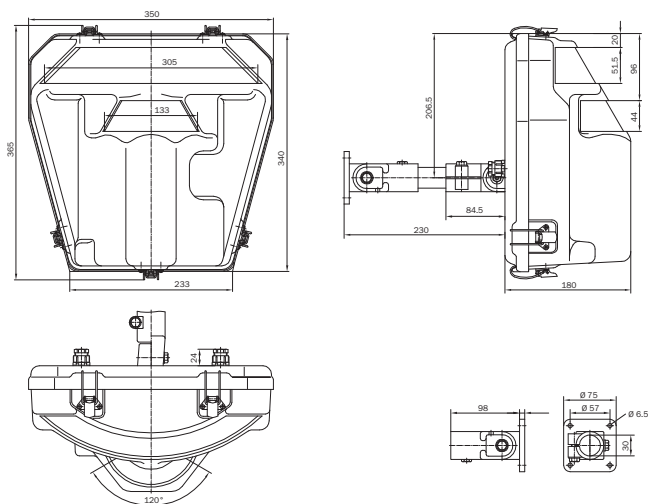
General notes

Life cycle phase	Discontinued
Note on use	Not suitable for personnel protection

Classifications


ECl@ss 5.0	27270990
ECl@ss 5.1.4	27270990
ECl@ss 6.0	27270913
ECl@ss 6.2	27270913
ECl@ss 7.0	27270913
ECl@ss 8.0	27270913
ECl@ss 8.1	27270913
ECl@ss 9.0	27270913
ETIM 5.0	EC002550
ETIM 6.0	EC002550
UNSPSC 16.0901	46171620

Dimensional drawing (Dimensions in mm (inch))



Recommended accessories

Other models and accessories → www.sick.com/LD-PeCo

	Brief description	Type	Part no.
Test and monitoring tools			
	Scan finder, receiver to localize infrared scans	Scan-Finder LS-80L	6020756

SICK AT A GLANCE

SICK is one of the leading manufacturers of intelligent sensors and sensor solutions for industrial applications. A unique range of products and services creates the perfect basis for controlling processes securely and efficiently, protecting individuals from accidents and preventing damage to the environment.

We have extensive experience in a wide range of industries and understand their processes and requirements. With intelligent sensors, we can deliver exactly what our customers need. In application centers in Europe, Asia and North America, system solutions are tested and optimized in accordance with customer specifications. All this makes us a reliable supplier and development partner.

Comprehensive services complete our offering: SICK LifeTime Services provide support throughout the machine life cycle and ensure safety and productivity.

For us, that is “Sensor Intelligence.”

WORLDWIDE PRESENCE:

Contacts and other locations –www.sick.com