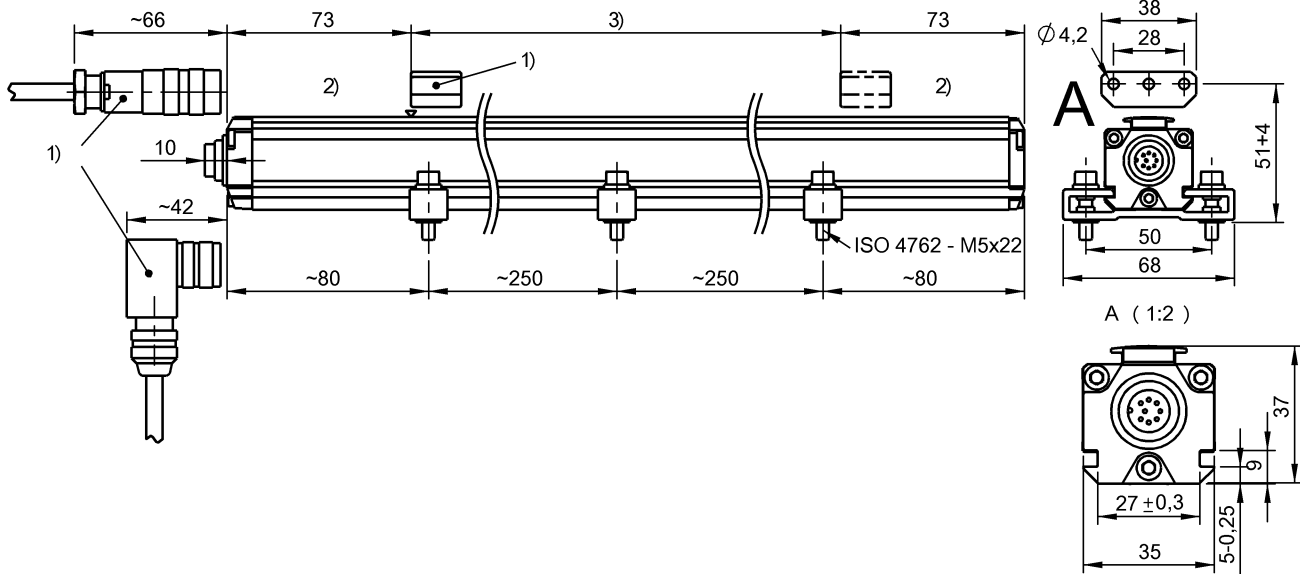


BTL5-E10-M1600-P-S32
Order code: BTL01N3

Nominal length 1.600 mm
Analog interface, current

BALLUFF
sensors worldwide

Generation 5
Series Profile
Type P



Pin	
1	4...20 mA
2	GND output
3	NC
4	NC
5	NC
6	GND
7	+24 V DC
8	NC

1) Not incl. in scope of del. 2) Unusable area 3) Nom. stroke = Meas. length

Inputs / Outputs

Interface group	Analog
Output signal	4...20 mA
Resolution	≤ 0.2 µA
For dynamic loop applications	No
Load resistance RL max.	≤ 500 Ohm
Potential isolation	Yes
Error signal Ua rising	≥ 10.2 V
Error signal Ua falling	< 0 V
Error signal Ia rising	≥ 20.4 mA
Repeat accuracy	≤ ±0.2 µA
Sampling rate (length-depend.)	1 kHz, standard
TK, typ. (at 50% of 500mm)	≤ 35 ppm/K
Non-linearity max.	±0.02 % FS
Number of magnets max.	1 PC
No of magnets, factory setting	1 PC

Power supply (external)

Operating voltage UB DC	20,0 V... 28,0 V
Current draw (at 24 V DC)	≤ 150 mA
Ripple	0.5 Vpp
Inrush current	≤ 3 A / 0.5 ms
Overvoltage protected	Yes
Voltage resist (GND – housing)	500 V DC

Mechanical data

Null point	73,0 mm
------------	---------

Mounting type
Housing material
Profile height

Mounting clamps
Anodized aluminum
36,8 mm

Electrical connection

Connection type
Cable/connector out
Connector type
Number polarizes
Polarity reversal protected

Connector
Axial
M16
8
Yes

Ambient conditions

Ambient temperature Ta
Storage temperature
Relative humidity
EN60068-2-6 (vibration)
EN60068-2-27 (shock)
EN60068-2-29 (contin. shock)
EN60068-2-64 (noise)
Enclosure Type per IEC 60529

-40 °C... 85 °C
-40 °C... 100 °C
< 90%, non-condensing
12 g, 10...2000 Hz
100 g / 6 ms
100 g / 2 ms
5 g, 10...2000 Hz
IP67 (with connector)

EMV

EN55016-2-3 (emission)
EN61000-4-2 (ESD)
EN61000-4-3 (RFI)
EN61000-4-4 (Burst)
EN61000-4-5 (Surge)
EN61000-4-6 (HF fields)

Industrial sector
Severity Level 3
Severity Level 3
Severity Level 3
Severity Level 2
Severity Level 3

000000000000212211/0000000000

BTL5-E10-M1600-P-S32
Order code: BTL01N3

Generation 5
Series Profile
Type P

Nominal length 1.600 mm
Analog interface, current

BALLUFF
sensors worldwide

EN61000-4-8 (magnetic fields)

Severity Level 4



Definitions see general catalog

Subject to change without notice.

000000000000212211/00000000

Internet : www.balluff.com
Balluff Germany : +49 (0) 7158 173-0, 173-370
Balluff USA : 1-800-543-8390
Balluff China : +86 (0) 21-50 644131

2 (2)
Print Date: 06.03.2012
Selection date: 06.03.2012