

# MJ25 BS88 Ferrule feeder pillar fuse links

## Product description

Eaton's Bussmann® series MJ25 Feeder pillar fuse links are designed to meet the exacting requirements of the electricity supply industry and are ASTA certified to BS88:5.

## Catalogue symbol

- 20 and 32 A: (Amps)MJ25-4
- 40 to 250 A (Amps)MJ25-6

## Technical data

- Rated voltage: 415 V a.c.
- Rated current: 20 to 250 A
- Breaking capacity: 80 kA a.c.
- Breaking range and utilisation category: gU

## Standards/Approvals

- ASTA certified to BS88:5

## Packaging

- MOQ: 10

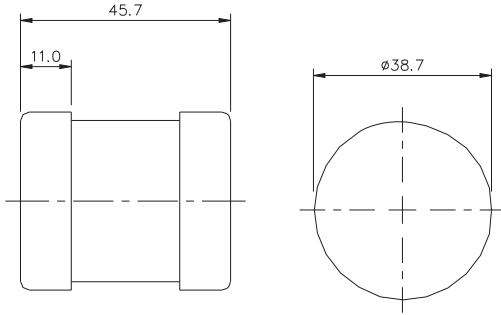
Table 1. Technical Data

Catalogue number	Rated voltage	Rated current (Amps)	Breaking capacity	Energy integrals I <sup>2</sup> t (A <sup>2</sup> S)		Watts loss (W)	Product class	Weight (grams)
				Pre-arcing	Total at 415 V a.c.			
20MJ25-4	415 V a.c.	20	80 kA at 415 V a.c.	160	360	3.5	gU	156
32MJ25-4	415 V a.c.	32	80 kA at 415 V a.c.	850	1950	4	gU	156
40MJ25-6	415 V a.c.	40	80 kA at 415 V a.c.	2100	4800	4	gU	156
63MJ25-6	415 V a.c.	63	80 kA at 415 V a.c.	5600	13,000	6	gU	156
80MJ25-6	415 V a.c.	80	80 kA at 415 V a.c.	10,000	23,000	8	gU	156
100MJ25-6	415 V a.c.	100	80 kA at 415 V a.c.	17,500	41,000	8.5	gU	156
125MJ25-6	415 V a.c.	125	80 kA at 415 V a.c.	33,500	77,500	10.5	gU	156
160MJ25-6	415 V a.c.	160	80 kA at 415 V a.c.	62,000	145,000	12	gU	156
200MJ25-6	415 V a.c.	200	80 kA at 415 V a.c.	90,000	205,000	17	gU	156
250MJ25-6	415 V a.c.	250	80 kA at 415 V a.c.	175,000	400,000	20	gU	156

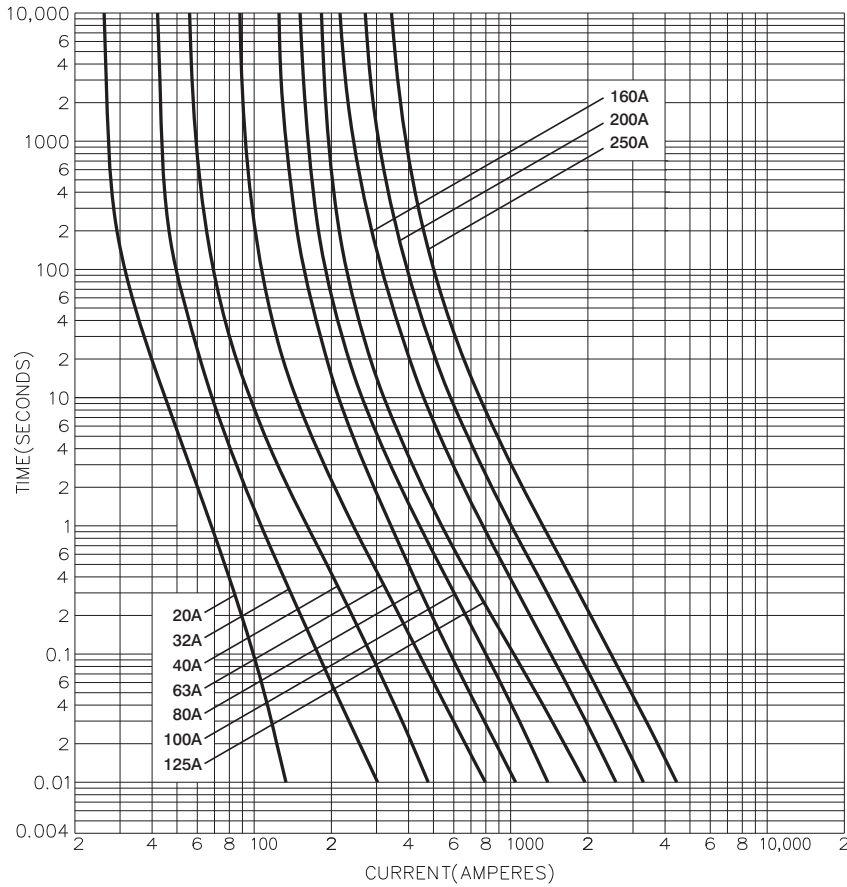


Powering Business Worldwide

**Dimensions (mm)**



**Time-current curve**



Changes to the products, to the information contained in this document, and to prices are reserved; so are errors and omissions. Only order confirmations and technical documentation by Eaton is binding. Photos and pictures also do not warrant a specific layout or functionality. Their use in whatever form is subject to prior approval by Eaton. The same applies to Trademarks (especially Eaton, Moeller, and Cutler-Hammer). The Terms and Conditions of Eaton apply, as referenced on Eaton Internet pages and Eaton order confirmations.

**Eaton**  
 EMEA Headquarters  
 Route de la Longeraie 7  
 1110 Morges, Switzerland

Eaton Electrical Products Limited  
 Melton Road  
 Burton-on-the-Wolds  
 Leicestershire, LE12 5TH  
 United Kingdom

© 2017 Eaton  
 All Rights Reserved  
 PDF Only  
 Publication No. 4177  
 February 2017