



Main switch, +housing, 3p+1N/O+1N/C, 63A, handle red yellow, lockable



Powering Business Worldwide™

Part no. P3-63/14/SVB/Hi11
Article no. 207348
Catalog No. SP3-063-I4CRA11Q

Delivery programme

Product range
 Basic function

Part group reference
 Emergency STOP

Contacts

Main circuits
 Poles



Auxiliary contacts



Locking facility
 Protection type

Design

Contact sequence

Front plate no.

Bemessungsbetriebsleistung AC-23A,
 50 - 60 Hz
 400 V
 Rated uninterrupted current

P
 I_u

kW
 A

Switch-disconnectors T, P
 Main switches
 Maintenance switches
 Manual override switches
 P3
 as emergency switching off/
 emergency stop function
 With red rotary handle and yellow
 locking ring
 With auxiliary contacts
 auxiliary contact
 neutral conductor fitted by user
 3

N/O

1

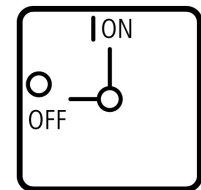
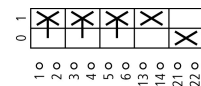
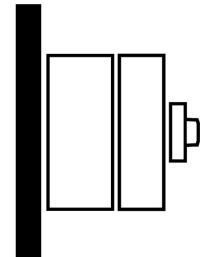
B

1

Lockable in the 0 (Off) position
 IP65

totally insulated

main switch surface mounting



FS 908

Approvals

Product Standards
 UL File No.
 UL Category Control No.
 CSA File No.
 CSA Class No.
 North America Certification
 Specially designed for North America
 Suitable for
 Degree of Protection

UL 508; CSA-C22.2 No. 14-05; CSA-C22.2 No. 94; IEC/EN 60947-3; CE marking
 E36332
 NLRV
 12528
 3211-05
 UL listed, CSA certified
 Yes, in combination with "+NA-14" (105868)
 Branch circuits, suitable as motor disconnect
 IEC: IP65; UL/CSA Type 3R, 12

General

Standards

Climatic proofing

Ambient temperature

Open

Enclosed

Overvoltage category/pollution degree

Rated impulse withstand voltage

Mechanical shock resistance

Mounting position

Protection against direct contact when actuated from front (EN 50274)

		IEC/EN 60947, VDE 0660, IEC/EN 60204, CSA, UL Switch-disconnector according to IEC/EN 60947-3
		Damp heat, constant, to IEC 60068-2-78 Damp heat, cyclic, to IEC 60068-2-30
	°C	
	°C	-25 - +50
	°C	-25 - +40
		III/3
U_{imp}	V AC	6000
	g	15
		As required
		Finger and back-of-hand proof

Contacts

Mechanical variables

Main circuits

Poles

Auxiliary contacts

Electrical characteristics

Rated operational voltage

Rated uninterrupted current

Note on rated uninterrupted current I_u

Load rating with intermittent operation, class 12

AB 25 % DF

AB 40 % DF

AB 60 % DF

Short-circuit rating

Fuse

Rated short-time withstand current (1 s current)

Note on rated short-time withstand current I_{cw}

		3
	N/O	1
	B	1
U_e	V AC	690
I_u	A	63
		Rated uninterrupted current I_u is specified for max. cross-section.
	$x I_e$	2
	$x I_e$	1.6
	$x I_e$	1.3
	A gG/ gL	80
I_{cw}	A_{rms}	1260
		Current for a time of 1 second

Switching capacity

Bemessungsausschaltvermögen $\cos \varphi$ nach IEC 60947-3

230 V

400/415 V

500 V

690 V

Safe isolation to EN 61140

between the contacts

Current heat loss per contact at I_e

Lifespan, mechanical

Maximum operating frequency

AC

AC-3

Rating, motor load switch

220 V 230 V

380 V 400 V

400 V 415 V

500 V

690 V

Bemessungsbetriebsstrom Motorschalter

230 V

	A	
	A	640
	A	600
	A	590
	A	340
	V AC	440
	W	4.5
Operations	$x 10^6$	> 0.1
Operations/h		1200
P	kW	
P	kW	15
P	kW	30
P	kW	30
P	kW	30
P	kW	30
I_e	A	51

400V 415 V
500 V
690 V
AC-21A
Bemessungsbetriebsstrom Lastschalter
440 V
AC-23A
Bemessungsbetriebsleistung AC-23A, 50 - 60 Hz
230 V
400 V 415 V
500 V
690 V
Bemessungsbetriebsstrom Motorschalter
230 V

DC

DC-1, Load-break switches L/R = 1 ms

Rated operational current

Voltage per contact pair in series

DC-23A, motor load switch L/R = 15 ms

24 V

Rated operational current

Contacts

48 V

Rated operational current

Contacts

60 V

Rated operational current

Contacts

120 V

Rated operational current

Contacts

I _e	A	55
I _e	A	44
I _e	A	22.1
I _e	A	63
P	kW	
P	kW	18.5
P	kW	30
P	kW	37
P	kW	30
I _e	A	63
I _e	A	63
	V	60
I _e	A	50
	Quantity	1
I _e	A	50
	Quantity	2
I _e	A	50
	Quantity	3
I _e	A	25
	Quantity	3

Terminal capacities

Flexible with ferrules to DIN 46228

Flexible with ferrule

Terminal screw

Max. tightening torque

	mm ²	
	mm ²	1 x (1.5 - 25) 2 x (1.5 - 6)
		M5
	Nm	3

Technical data ETIM 5.0

Low-voltage industrial components (EG000017) / Switch disconnecter (EC000216)

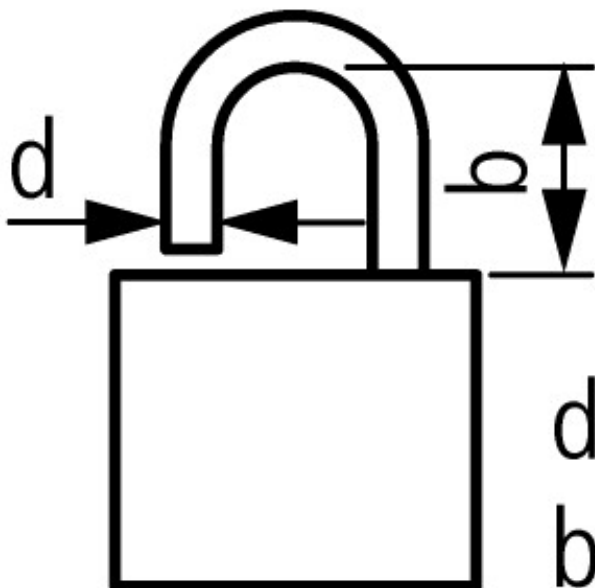
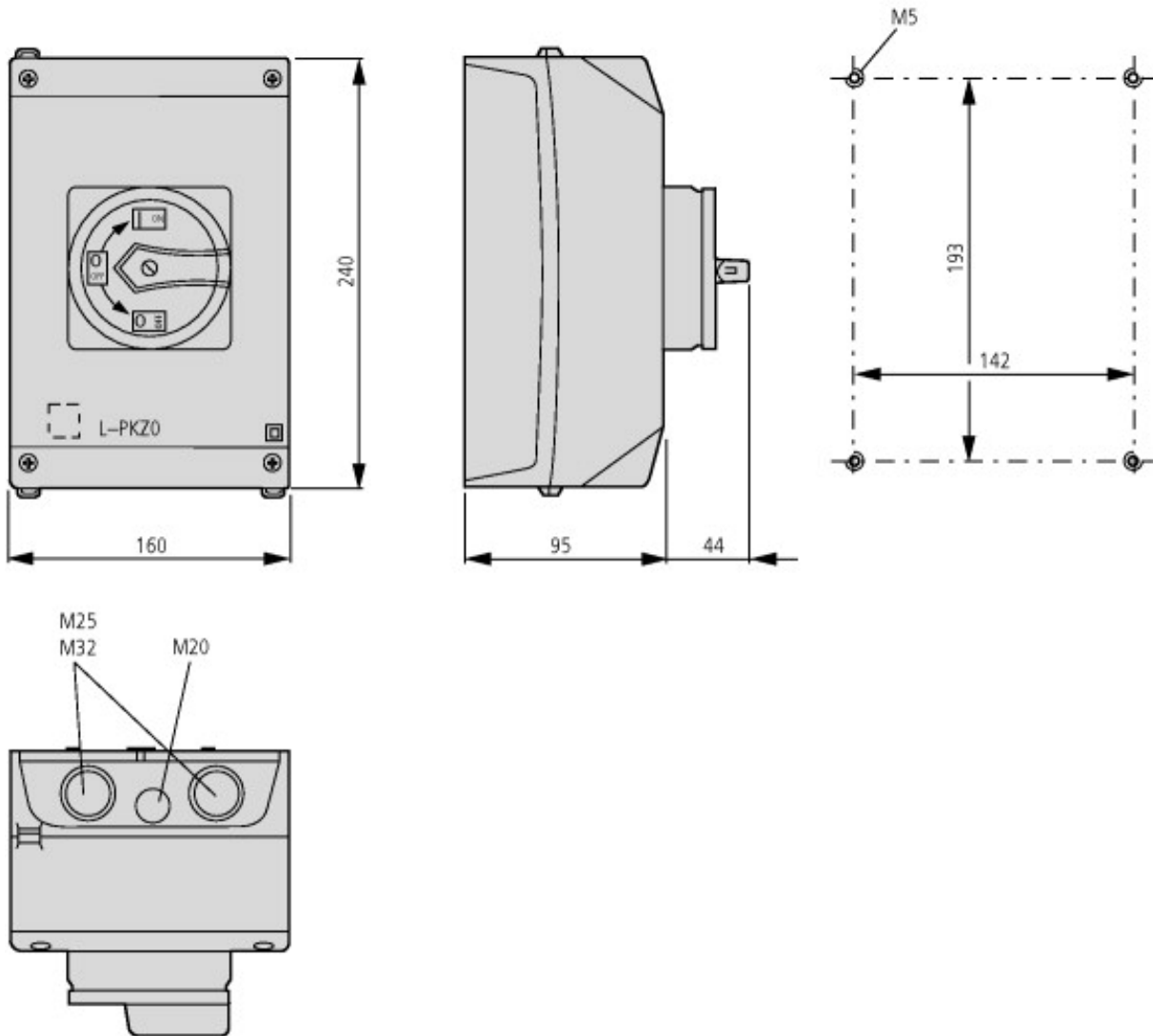
Electric engineering, automation, process control engineering / Low-voltage switch technology / Off-load switch, circuit breaker, control switch / Switch disconnecter (ec1@ss8-27-37-14-03 [AKFD60009])

Version as switch disconnector compact		Yes
Version as main switch		Yes
Version as maintenance-/service switch		Yes
Version as safety switch		No
Version as emergency stop installation		Yes
Max. rated operation voltage U _e AC	V	690
Rated permanent current I _u	A	63
Rated operation power AC-3, 400 V	kW	30
Rated operation power at AC-23, 400 V	kW	37
Conditioned rated short-circuit current I _q	kA	0
Number of poles		3
Number of auxiliary contacts as normally closed contact		1
Number of auxiliary contacts as normally open contact		1
Number of auxiliary contacts as change-over contact		0
Motor drive optional		No
Motor drive integrated		No
Voltage release optional		No
Device construction		Complete device in housing
Suitable for ground mounting		Yes

Suitable for front mounting
 Suitable for front mounting center
 Suitable for distribution board installation
 Suitable for intermediate mounting
 Type of control element
 Interlockable
 Connection type main current circuit
 Degree of protection (IP), front side

No
 No
 No
 No
 -
 Yes
 Screw connection
 IP65

Dimensions



$$d = 4 - 8 \text{ mm}$$

$$b + d \leq 47 \text{ mm}$$

3 padlocks

Additional product information (links)

IL03801010Z (AWA1150-1982) Cam switch: switch-disconnector	
IL03801010Z (AWA1150-1982) Cam switch: switch-disconnector	ftp://ftp.moeller.net/DOCUMENTATION/AWA_INSTRUCTIONS/IL03801010Z2014_02.pdf
http://ecat.moeller.net/flip-cat/?edition=HPLEN&startpage=4.87	
http://de.ecat.moeller.net/flip-cat/?edition=HPLTEv1&startpage=4.2	
http://de.ecat.moeller.net/flip-cat/?edition=HPLTEv1&startpage=4.4	
http://de.ecat.moeller.net/flip-cat/?edition=HPLTEv1&startpage=4.6	
http://de.ecat.moeller.net/flip-cat/?edition=HPLTEv1&startpage=4.8	
http://de.ecat.moeller.net/flip-cat/?edition=HPLTEv1&startpage=4.8	