



fibers
LL3, Fibers, proximity system

LL3-DB01



Model Name > **LL3-DB01**
Part No. > **5308074**



At a glance

- Quick and easy mounting
- Models with hexagonal flange for trouble-free mounting with only one nut
- Optional tip adapter for a larger detection distance and small objects

Your benefits

- Very large selection of fiber-optic cables with plastic and glass fibers, giving users more application flexibility
- Resistant to damage caused by mechanical and chemical stress, as well as high temperatures
- Standard and customer-specific types
- Simple installation saves time
- For detection of objects, surfaces, leading edges, and fluid levels

Features

For fiber-optic sensor:	WLL160(T), WLL170-2/WLL170T-2, WLL180T, WLL190T-2
Device type:	Fibers
Housing length:	2 m
Jacket material:	PE
Core material:	PMMA
Sleeve material:	Stainless steel ¹⁾
Diameter, connection:	2.2 mm
Mounting sleeve dimension:	M6
Bend radius, fibre-optic cable:	25 mm
Heat resistance:	70 °C
Ambient operating temperature:	-40 °C ... 70 °C
Minimal object diameter:	0.015 mm ²⁾
Core structure:	C,S: Ø 1,0 mm, E: 16 x Ø 0,25 mm ³⁾
Fiber-optic cable cuttable ⁴⁾ :	✓
Thread sleeve:	✓
Special features:	Coaxial construction for exact switching. Standard, large sensing distance
Category fiber-optic cables:	Threaded sleeve

¹⁾ Stainless steel ²⁾ Minimum detectable object was determined at optimal measuring distance and optimal setting ³⁾ C = Coaxial, S = Sender, E = Receiver ⁴⁾ FC

fiber optic cable cutter included in delivery

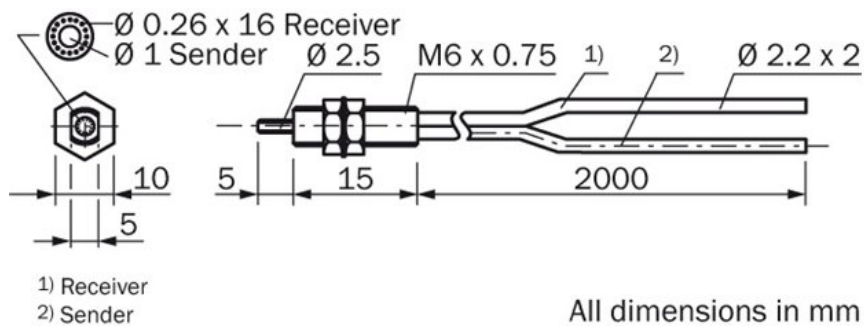
Sensing range with WLL180T

Operating mode 16 μ s:	90 mm
Operating mode 70 μ s:	280 mm
Operating mode 250 μ s:	500 mm
Operating mode 2 ms:	900 mm
Operating mode 8 ms:	1,350 mm

Sensing range with WLL170-2

Redlight 250 μ s:	160 mm
Greenlight 250 μ s:	37 mm
Highspeed 50 μ s:	62 mm

Dimensional drawing



Australia

Phone +61 3 9457 0600
1800 334 802 – tollfree
E-Mail sales@sick.com.au

Belgium/Luxembourg

Phone +32 (0)2 466 55 66
E-Mail info@sick.be

Brasil

Phone +55 11 3215-4900
E-Mail sac@sick.com.br

Canada

Phone +1(952) 941-6780
1 800-325-7425 – tollfree
E-Mail info@sickusa.com

Ceská Republika

Phone +420 2 57 91 18 50
E-Mail sick@sick.cz

China

Phone +86 4000 121 000
E-Mail info.china@sick.net.cn
Phone +852-2153 6300
E-Mail ghk@sick.com.hk

Danmark

Phone +45 45 82 64 00
E-Mail sick@sick.dk

Deutschland

Phone +49 211 5301-301
E-Mail kundenservice@sick.de

España

Phone +34 93 480 31 00
E-Mail info@sick.es

France

Phone +33 1 64 62 35 00
E-Mail info@sick.fr

Great Britain

Phone +44 (0)1727 831121
E-Mail info@sick.co.uk

India

Phone +91-22-4033 8333
E-Mail info@sick-india.com

Israel

Phone +972-4-6801000
E-Mail info@sick-sensors.com

Italia

Phone +39 02 27 43 41
E-Mail info@sick.it

Japan

Phone +81 (0)3 3358 1341
E-Mail support@sick.jp

Magyarország

Phone +36 1 371 2680
E-Mail office@sick.hu

Nederlands

Phone +31 (0)30 229 25 44
E-Mail info@sick.nl

Norge

Phone +47 67 81 50 00
E-Mail austefjord@sick.no

Österreich

Phone +43 (0)22 36 62 28 8-0
E-Mail office@sick.at

Polska

Phone +48 22 837 40 50
E-Mail info@sick.pl

România

Phone +40 356 171 120
E-Mail office@sick.ro

Russia

Phone +7-495-775-05-30
E-Mail info@sick.ru

Schweiz

Phone +41 41 619 29 39
E-Mail contact@sick.ch

Singapore

Phone +65 6744 3732
E-Mail admin@sicksgp.com.sg

Slovenija

Phone +386 (0)1-47 69 990
E-Mail office@sick.si

South Africa

Phone +27 11 472 3733
E-Mail info@sickautomation.co.za

South Korea

Phone +82 2 786 6321/4
E-Mail info@sickkorea.net

Suomi

Phone +358-9-25 15 800
E-Mail sick@sick.fi

Sverige

Phone +46 10 110 10 00
E-Mail info@sick.se

Taiwan

Phone +886-2-2375-6288
E-Mail sales@sick.com.tw

Türkiye

Phone +90 (216) 528 50 00
E-Mail info@sick.com.tr

United Arab Emirates

Phone +971 (0) 4 8865 878
E-Mail info@sick.ae

USA/México

Phone +1(952) 941-6780
1 800-325-7425 – tollfree
E-Mail info@sickusa.com

More representatives and agencies
at www.sick.com