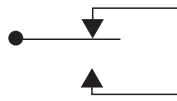


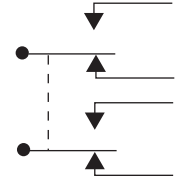
E7 Metal standard enclosed switch

Mechanical life: 10 million
Sealing: Without boot seal IP50 Standard
 With boot seal IP65 Sealed
Operating temperature: -30 °C to 70 °C (-22 °F to 158 °F)
Approvals: IEC 60947-5-1
 EN 60947-5-1

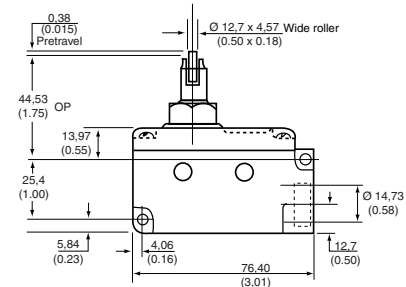
Switching options:
 SPDT Single Pole, Double Throw
 Snap action contacts (1NC/1NO)



DPDT Double Pole, Double Throw
 Snap action contacts (2NC/2NO)



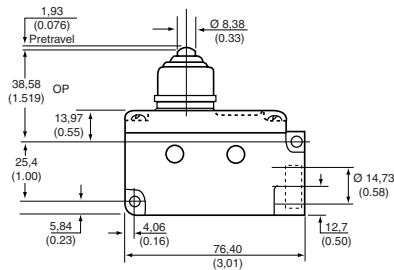
Top roller plunger, perpendicular, without boot seal



CONTACT	CONDUIT	ELECTRICAL RATING	REFERENCE
SPDT	PG 13.5		BZE7-2RQ81-PG

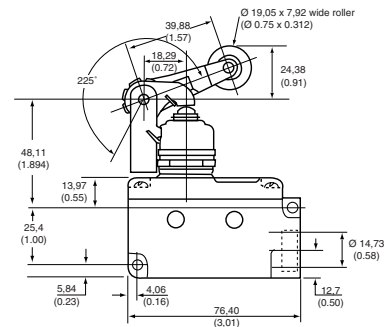
OPTIONS

Top pin plunger With boot seal



CONTACT	CONDUIT	ELECTRICAL RATING	REFERENCE
SPDT	PG 13.5		BZE7-2RN-PG
SPDT	20 mm		BZE7-2RN-C
DPDT	PG 13.5		DTE7-2RN-PG

Top roller lever, boot seal

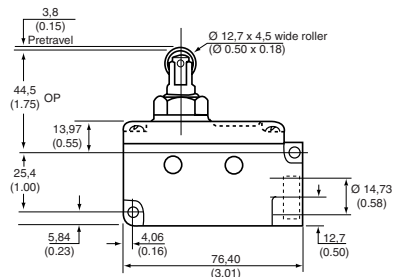


CONTACT	CONDUIT	ELECTRICAL RATING	REFERENCE
SPDT	PG 13.5		BZE7-2RN2-PG
SPDT	20 mm		BZE7-2RN2-C

Without boot seal

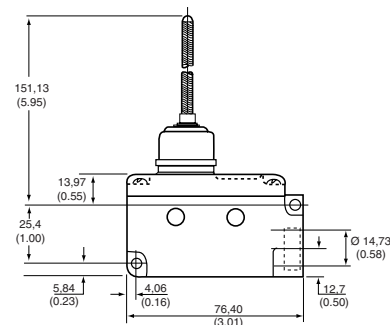
CONTACT	CONDUIT	ELECTRICAL RATING	REFERENCE
SPDT	PG 13.5		BZE7-2RQ-PG

Top roller plunger, parallel, without boot seal



CONTACT	CONDUIT	ELECTRICAL RATING	REFERENCE
SPDT	PG 13.5		BZE7-2RQ8-PG

Wobble, coil spring, boot seal



CONTACT	CONDUIT	ELECTRICAL RATING	REFERENCE
SPDT	PG 13.5		BZE7-2RN18-PG